

Compact Twin Stage Regulators LV404B4 and LV404B9 Series

Application

This compact two-stage regulator is designed to reduce container pressure down to 11" w.c. delivery pressure. It is ideal for "on-site" cylinder applications, mobile homes and average domestic service including small ASME and 100 to 420 pound DOT cylinders.

Features

- Incorporates integral relief valve.
- With 15 PSIG inlet pressure, regulator is designed to not pass more than 2 PSIG with the seat disc removed.
- Large vent helps prevent blockage and has 3/4" F. NPT for vent piping.
- Compact size allows for easy installation — especially under container hoods and within collars.
- Vent on the first stage is consistently in the down position.
- Built in pressure taps on both first and second stage regulators have plugged 1/8" F.NPT outlets. Plugs can be removed with a 3/16" hex allen wrench.
- Select brown finish.

Materials

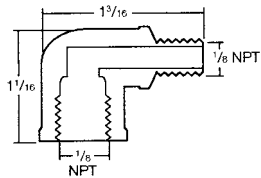
Body (First Stage)..... Zinc or Brass
 Body (Second Stage) Die Cast Zinc
 Nozzle Orifice Brass
 Spring Steel
 Valve Seat Disc Resilient Rubber
 Diaphragm Integrated Fabric and Synthetic Rubber



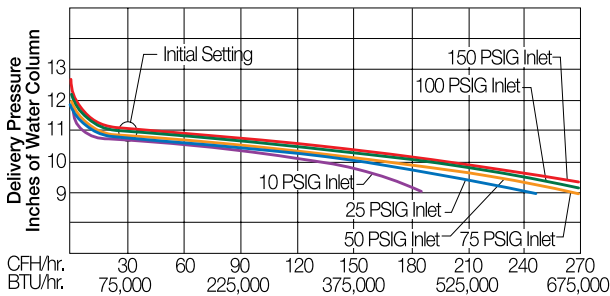
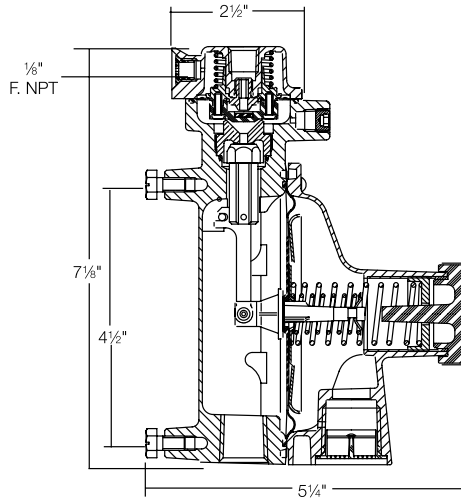
LV404B4

LV404B4V9

LV404B9



404PE Vent Pipe-away for first stage vent.



Ordering Information

Part Number	Inlet Connection	Outlet Connection	Orifice Size	Factory Delivery Pressure	Adjustment Range 2nd Stage	Bonnet Vent Position 1st Stage	Bonnet Vent Position 2nd Stage	Capacity BTU/hr. Propane*	Accessories
									1st Stage Vent Pipe-Away
LV404B4	1/4" F. NPT	1/2" F. NPT	.219	11" w.c. at 100 PSIG Inlet	9" - 13" w.c.	Down	Over Outlet	525,000	404PE
LV404B4V9						9 o'clock	9 o'clock		
LV404B46		3/4" F. NPT				Down	Over Outlet		
LV404B46V9						9 o'clock	9 o'clock		
LV404B9	F. POL	1/2" F. NPT				Down	Over Outlet		
LV404B9V9						9 o'clock	9 o'clock		
LV404B96		3/4" F. NPT	Down	Over Outlet					
LV404B96V9			9 o'clock	9 o'clock					

Maximum flow is based on 25 PSIG inlet pressure and 9" w.c. delivery pressure.