

# External Hydrostatic Relief Valves 3125, 3127, 3129, SS8001, SS8002, SS8021 and SS8022 Series

## Application

Designed especially for the protection of piping and shut-off valves where there is a possibility of trapping liquid LP-Gas or anhydrous ammonia. They may be installed in pipelines and hoses located between shut-off valves or in the side boss of RegO® shut-off valves.

## Features

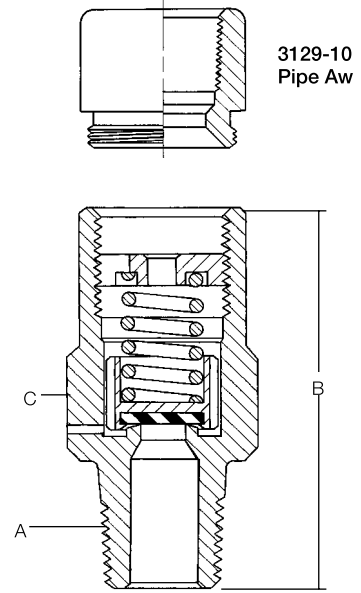
- Relief valve designed to automatically reseal firmly after discharge.
- Resilient seat disc provides a "bubble-tight" seal.
- Available in both brass and stainless steel.
- Available in configurations that permit direct attachment of vent piping when required.

## Materials

Body (3125, 3127, 3129)..... Brass  
 Body (SS8001, SS8002, SS8021, SS8022)..... Stainless Steel  
 Spring..... Stainless Steel  
 Seat Disc..... Resilient Rubber



3125 Series (.161 Orifice)  
 3127 Series (.274 Orifice)  
 3129 Series (.386)

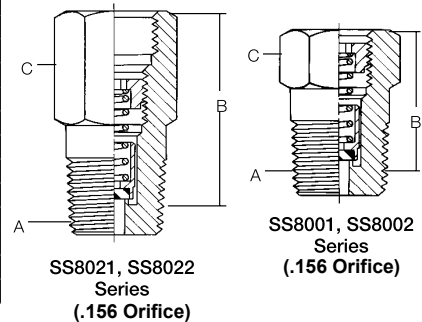


## Ordering Information

Part Number	Start To Discharge Setting PSIG	Valve Body Material	A Container Connection M. NPT	B Height (Approx.)	C Wrench Hex Section	Accessories	
						Protective Cap	Pipeaway Adapter or Threads
SS8001G	250	Stainless Steel	1/4"	7/8"	1 1/16"	-	-
SS8002G			1/2"		7/8"		-
SS8021G			1/4"	1 3/8"	1 1/16"		1/4" NPSM Thrds
SS8022G			1/2"	1 3/8"	1 1/16"		3/8" NPT Thrds
3127G	275	Brass	1/4"	1 3/32"	7/8"	7545-40	-
3129G			1/2"	2 1/32"	1 1/8"		3129-10*
3127H			1/4"	1 3/32"	7/8"		-
3129H			1/2"	2 1/32"	1 1/8"		3129-10*
3127P	300	Brass	1/4"	1 3/32"	1 1/8"	7545-40	-
3129P			1/2"	2 1/32"	1 1/8"		3129-10*
SS8022P	300	Stainless Steel	1/2"	1 3/8"	7/8"	-	3/8" NPT Thrds
3127J	350	Brass	1/4"	1 3/32"	7/8"	7545-40	-
3129J			1/2"	2 1/32"	1 1/8"		3129-10*
SS8001J		Stainless Steel	1/4"	7/8"	1 1/16"	-	-
SS8002J			1/2"	1 3/8"	1 1/16"		1/4" NPSM Thrds
SS8021J	1/4"	1 3/8"	1 1/16"	3/8" NPT Thrds			
SS8022J	1/2"	1 3/8"	1 1/16"	3/8" NPT Thrds			
3127K	375	Brass	1/4"	1 1/32"	7/8"	7545-40	-
3129K			1/2"	2 1/32"	1 1/8"		3129-10*
3125L			1/4"	1 1/16"	5/8"	Included	-
3127L			1/4"	1 1/16"	5/8"	7545-40	-
3129L	1/2"	2 1/32"	1 1/8"	3129-40P	3129-10*		
SS8001L	400	Stainless Steel	1/4"	7/8"	1 1/16"	-	-
SS8002L			1/2"	7/8"	7/8"		-
SS8021L			1/4"	1 3/8"	1 1/16"		1/4" NPSM Thrds
SS8022L			1/2"	1 3/8"	1 1/16"		3/8" NPT Thrds
3127U	450	Brass	1/4"	1 3/32"	7/8"	7545-40	-
3129U			1/2"	2 1/32"	1 1/8"		3129-10*
SS8001U		Stainless Steel	1/4"	7/8"	1 1/16"	-	-
SS8002U			1/2"	7/8"	7/8"		-
SS8021U	1/4"	1"	1 1/16"	1/4" NPSM Thrds			
SS8022U	1/2"	1"	7/8"	3/8" NPT Thrds			



SS8022G



\* 1/2" F. NPT outlet connection.