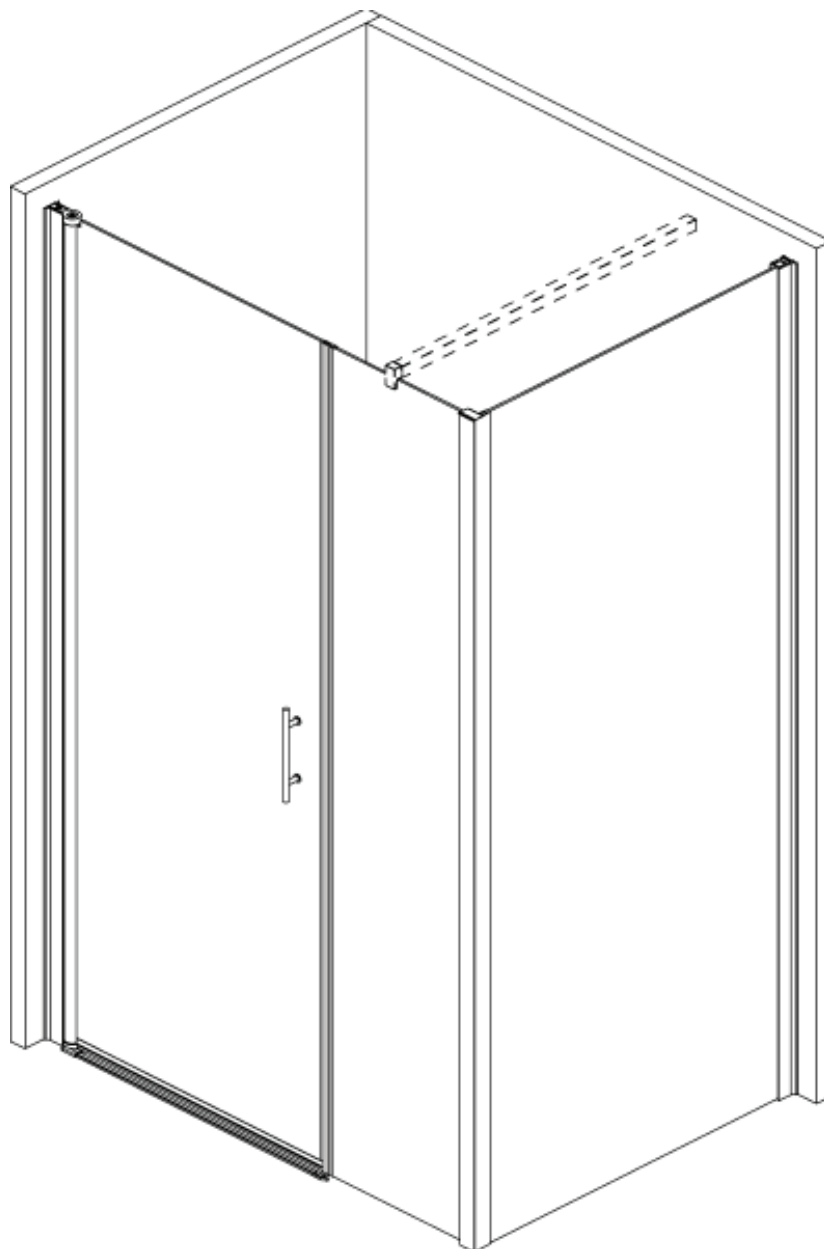


KARAG

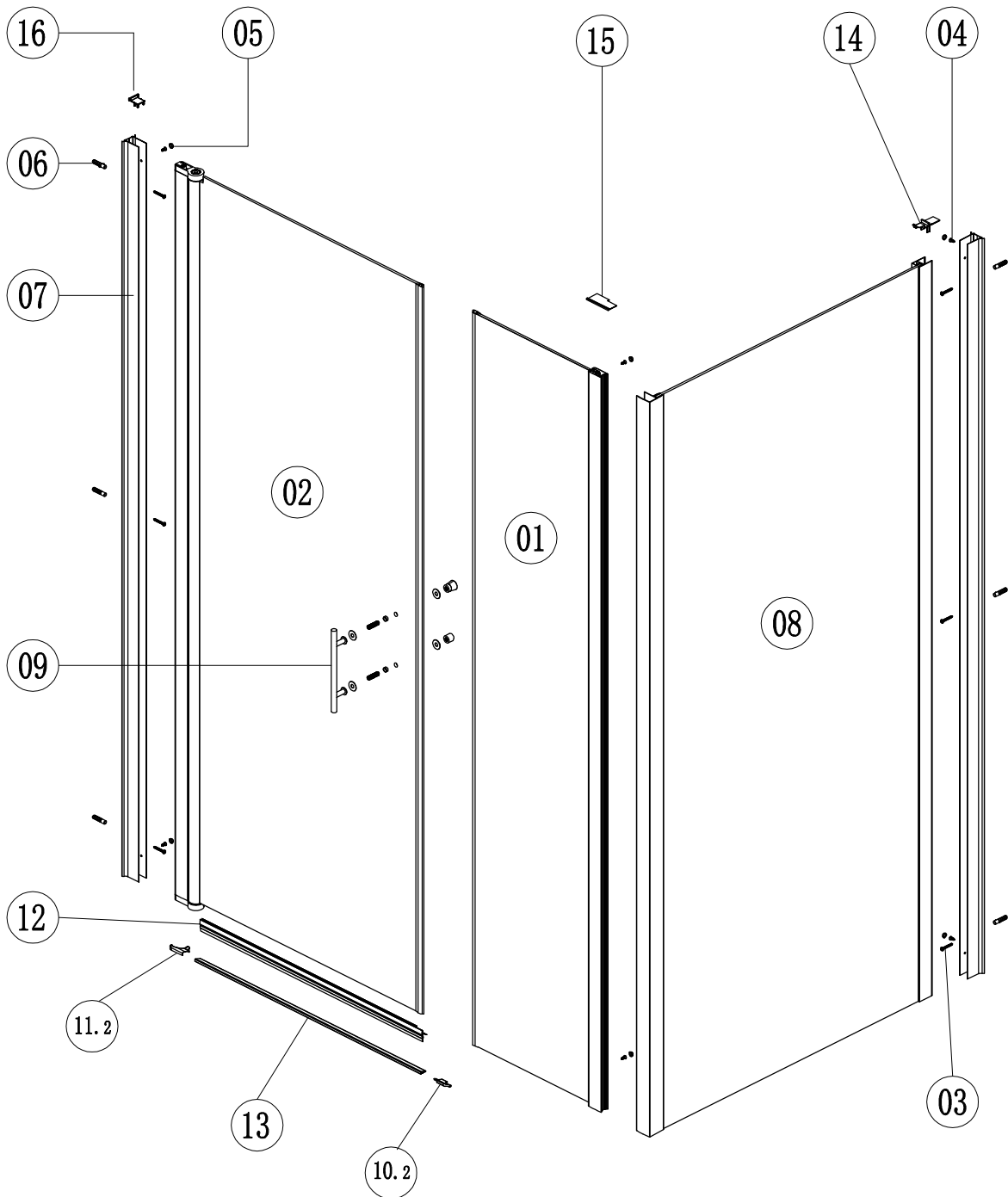
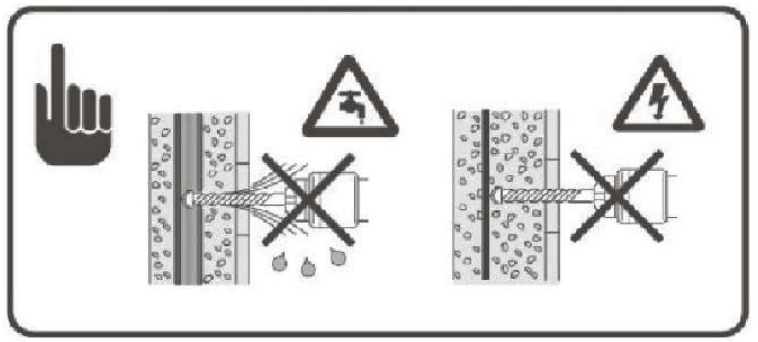
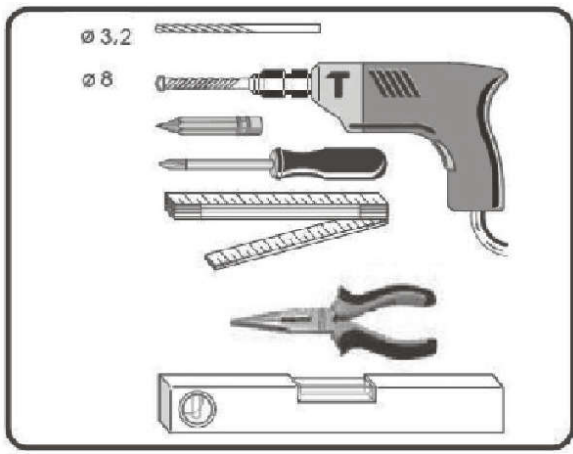
bathroom experience...

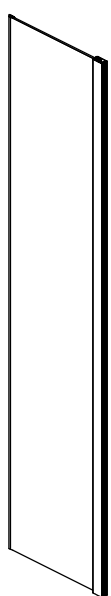
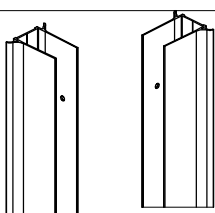
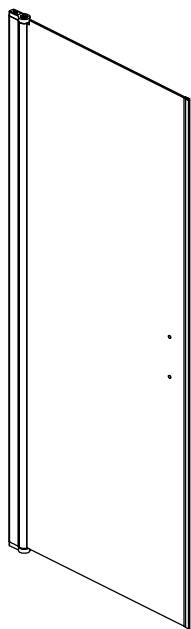
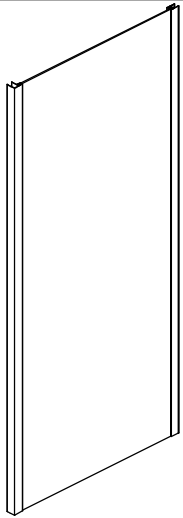

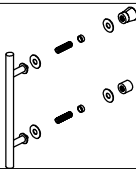



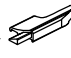





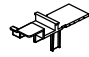
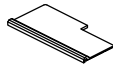
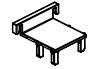
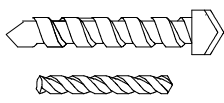
INSTALLATION INSTRUCTIONS

INSTALLAZIONE ISTRUZIONI
ΟΔΗΓΙΕΣ ΤΟΠΟΘΕΤΗΣΗΣ

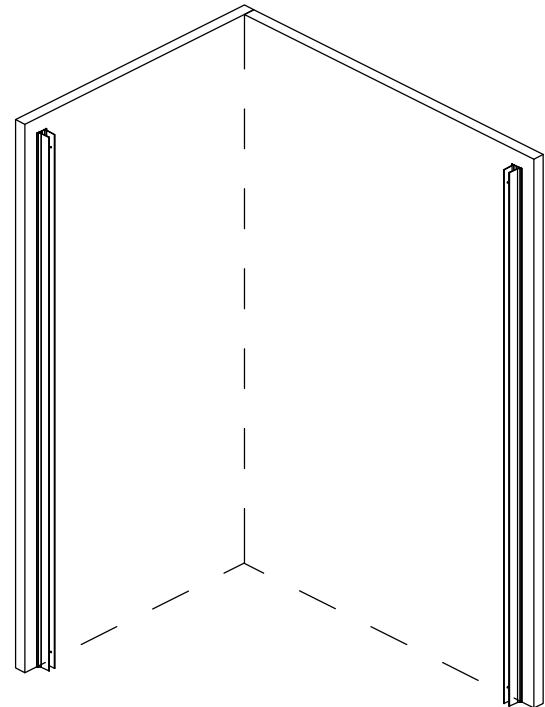
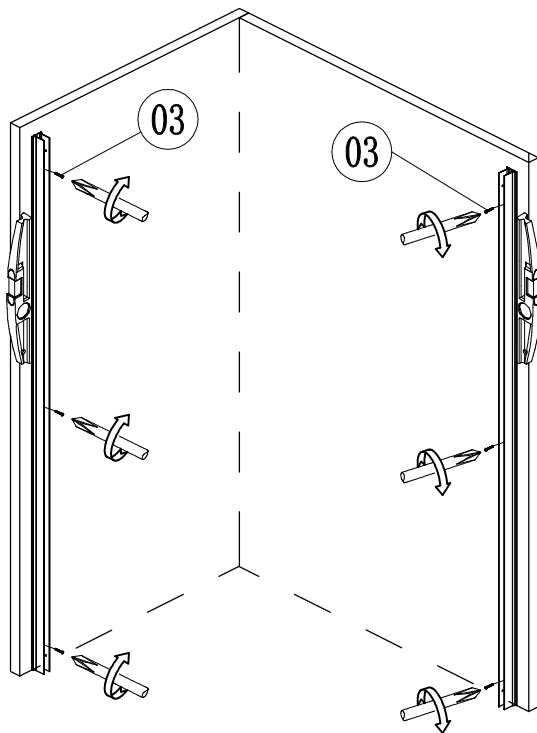
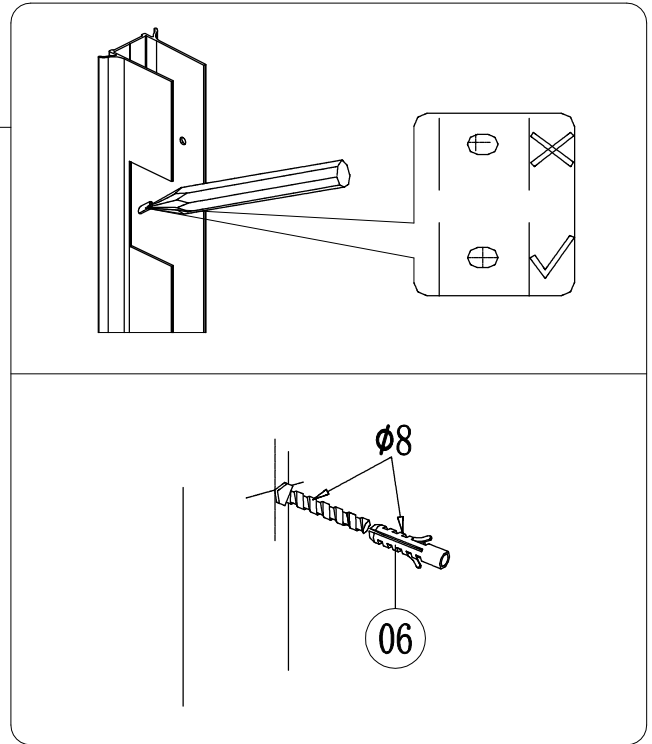
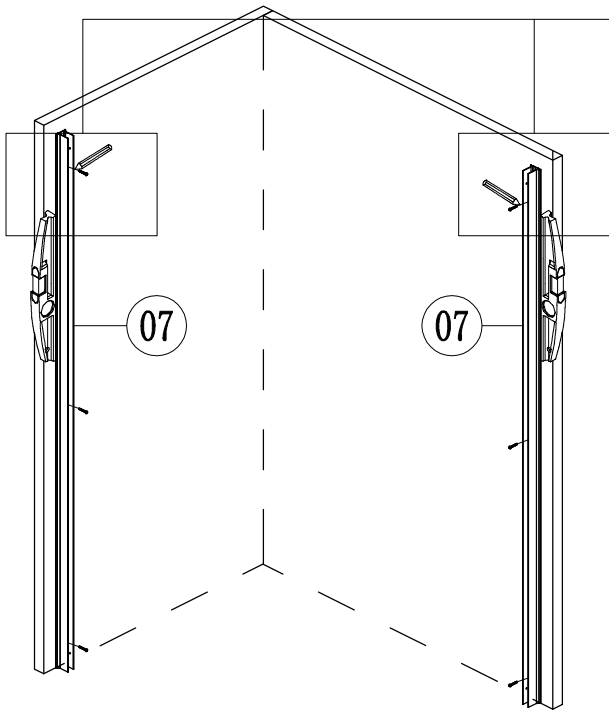


S 5 & S-10 side CABIN

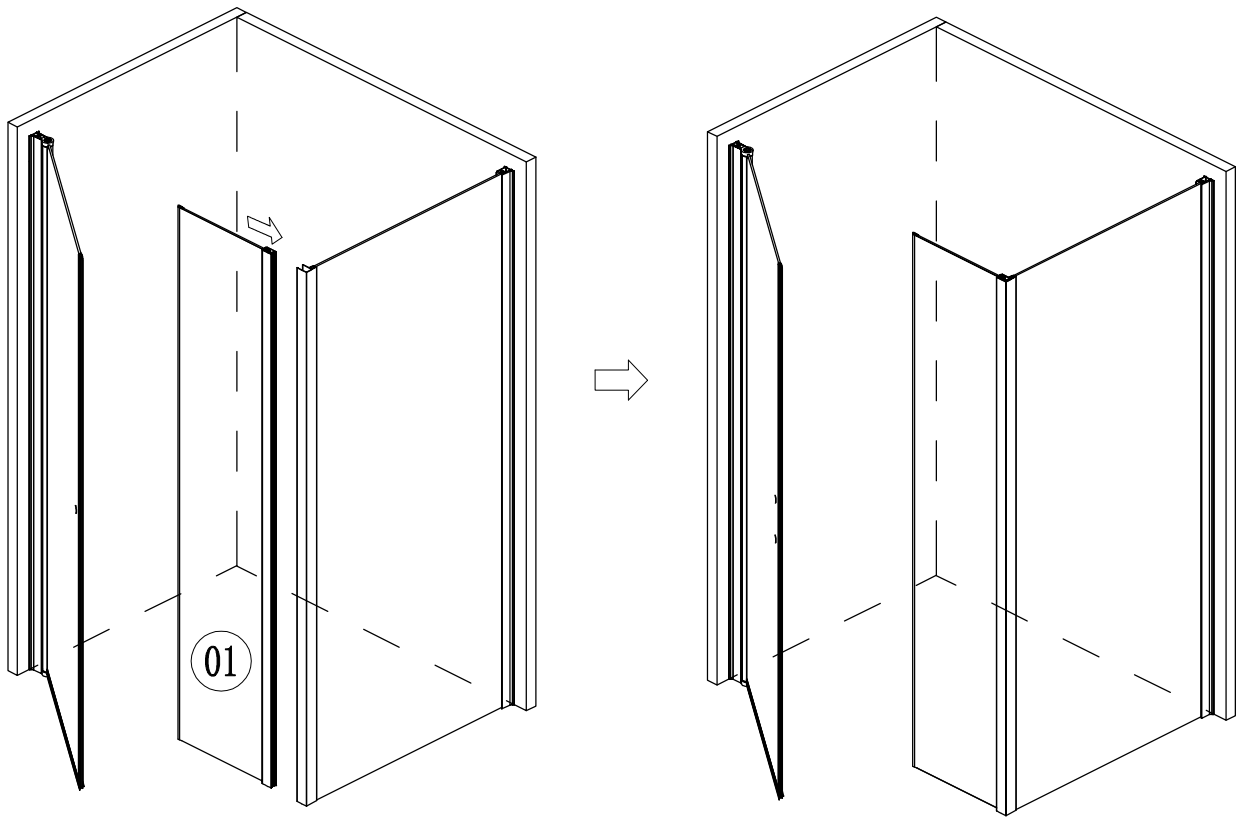
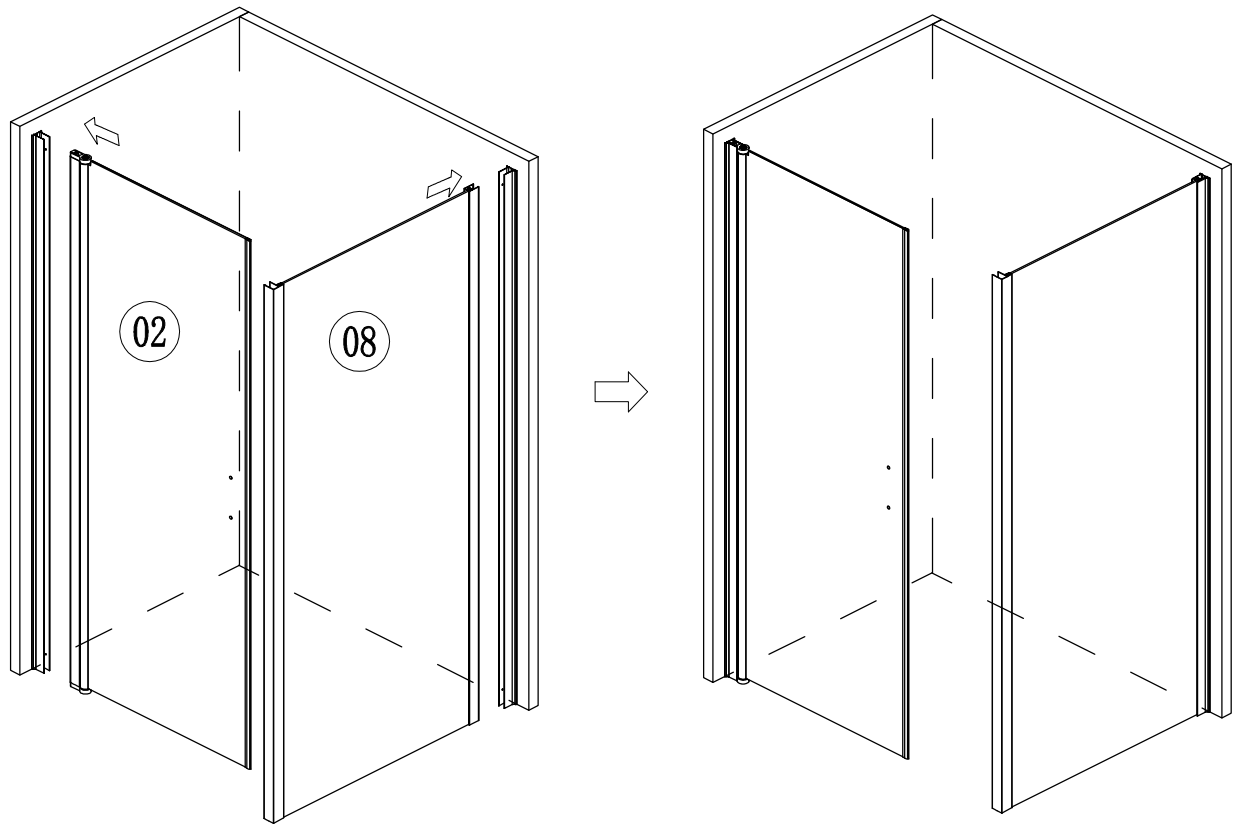


NO.	Designation	Pieces	NO.	Designation	Pieces
01		×1	07		×2
02		×1	08		×1
03	 ST4×35	×6	09		×1
04	 ST4×10	×6	10.1		×1
05		×6	10.2		×1
06		×6	11.1		×1
			11.2		×1
			12		×1
			13		×1
			14		×1
			15		×1
			16		×1
				 $\phi 8$ $\phi 3.2$	

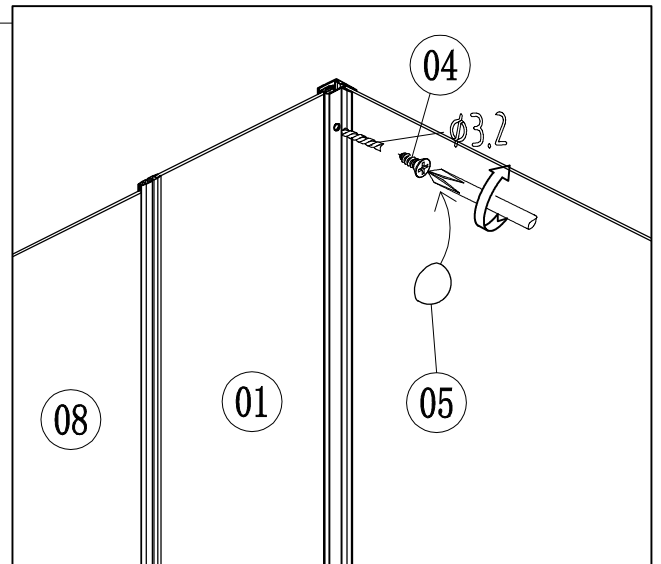
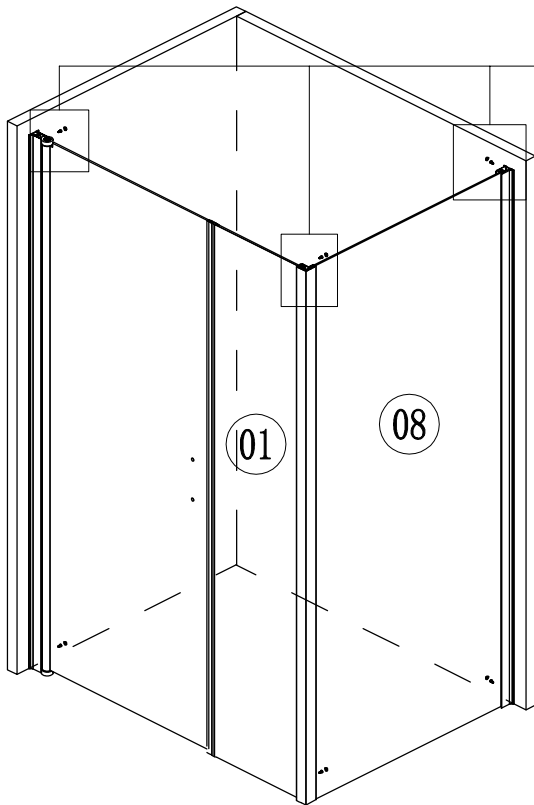
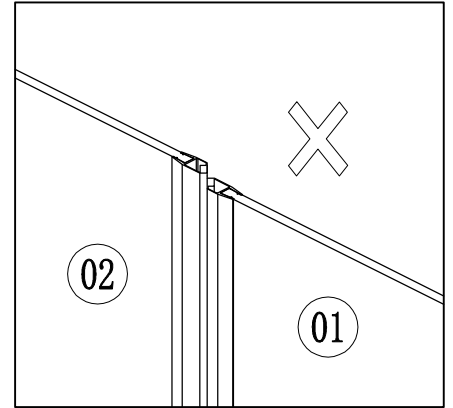
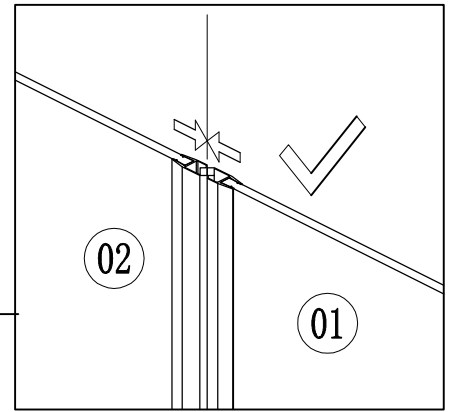
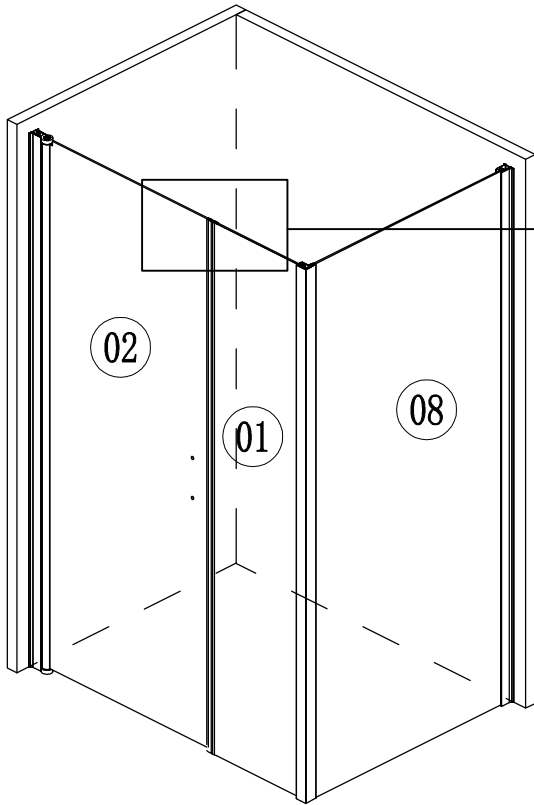
1.



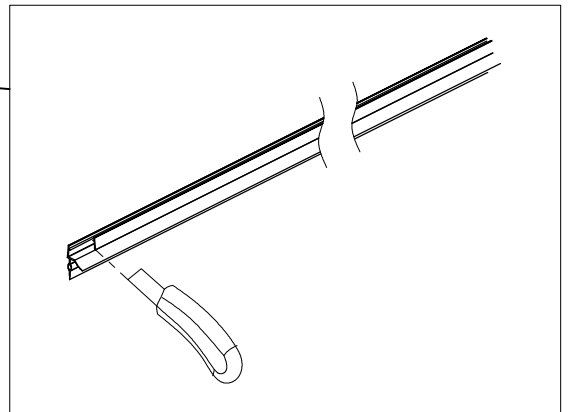
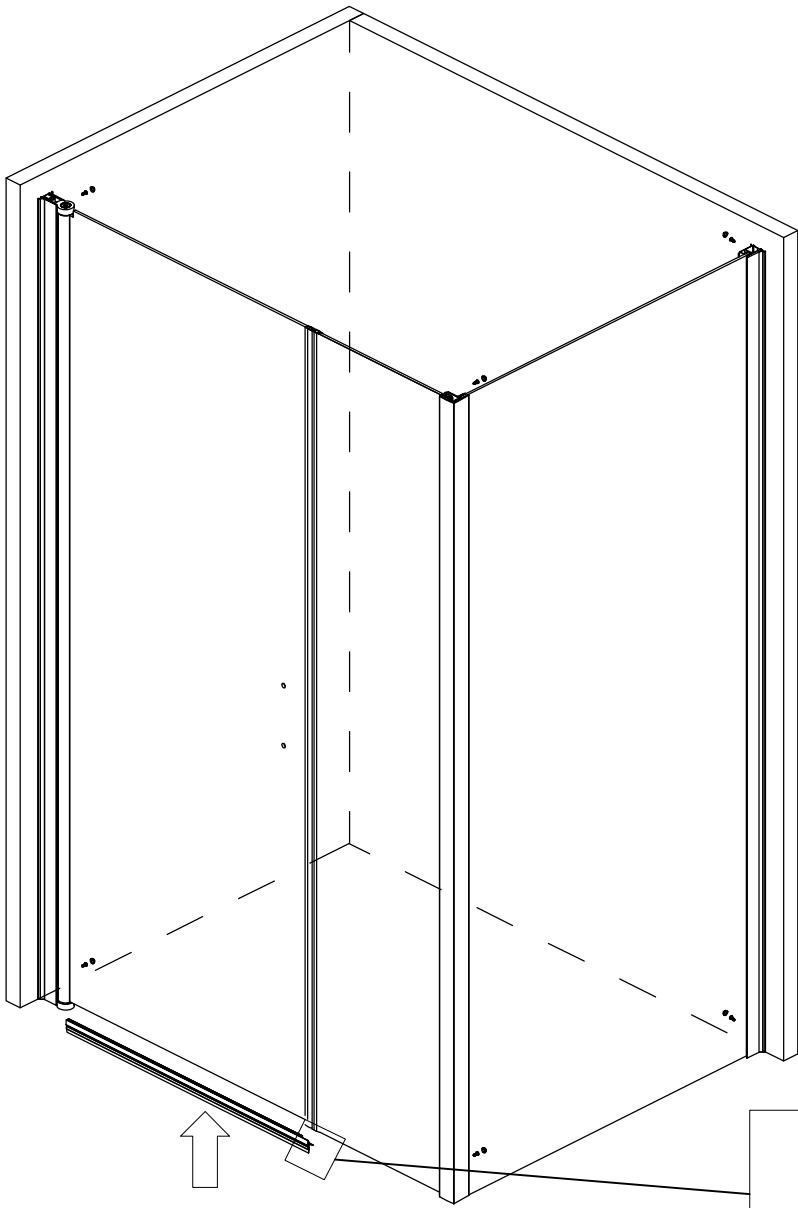
2.



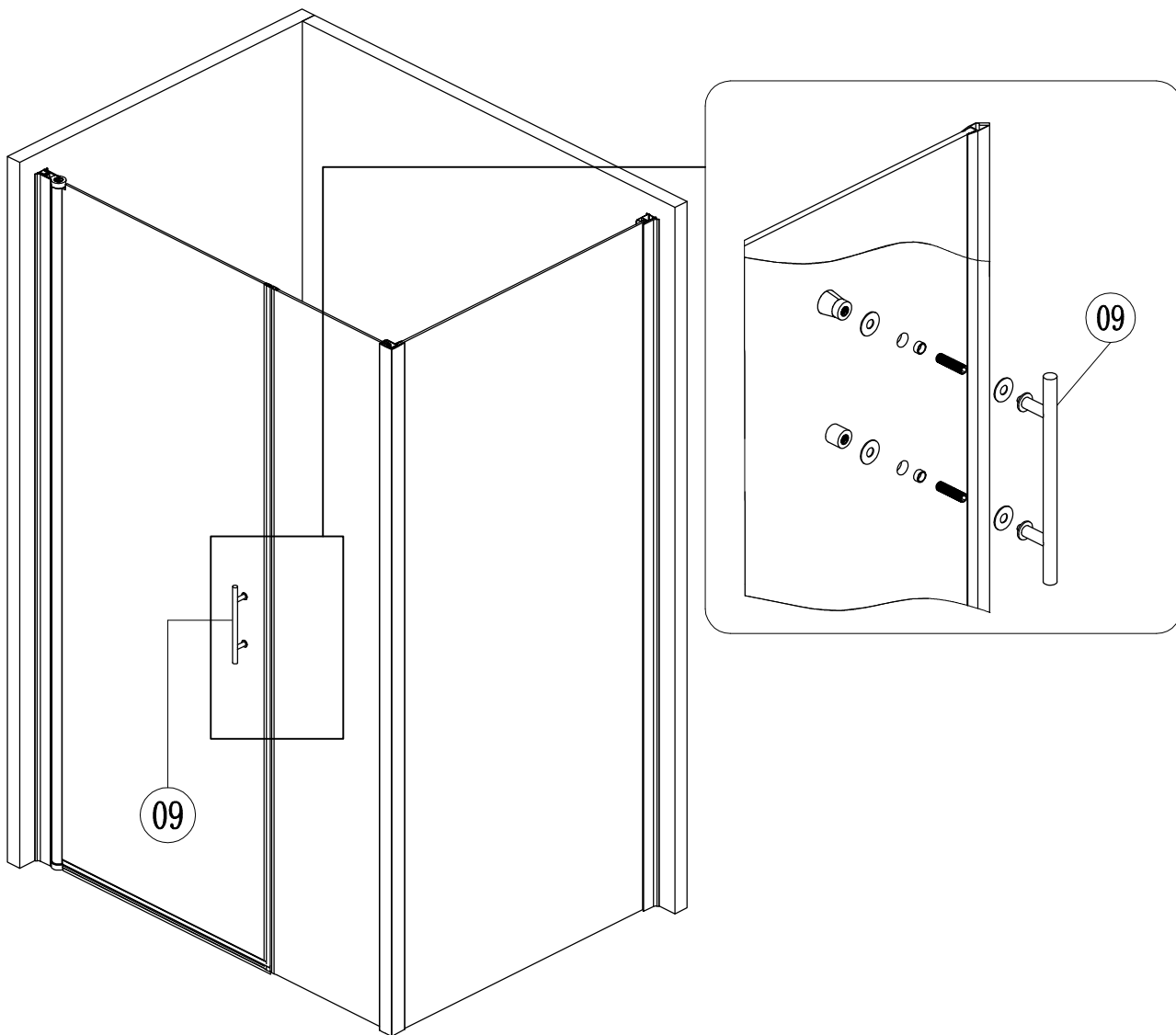
3.



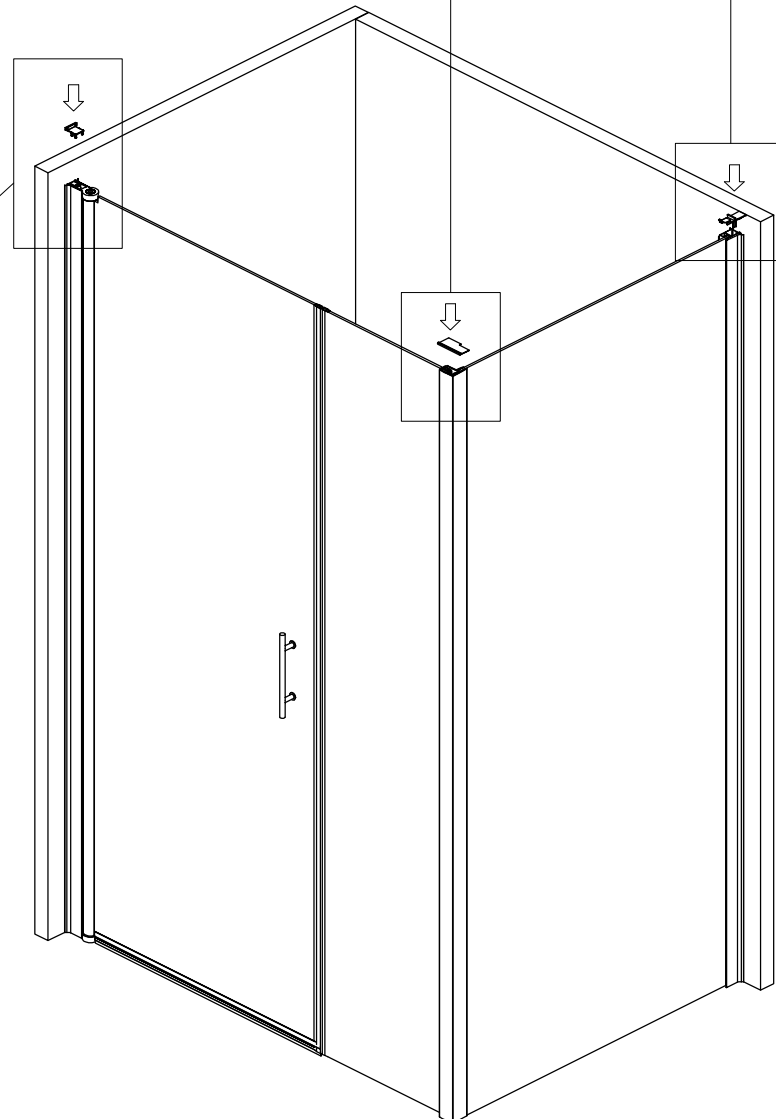
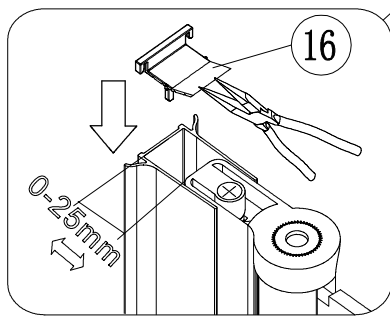
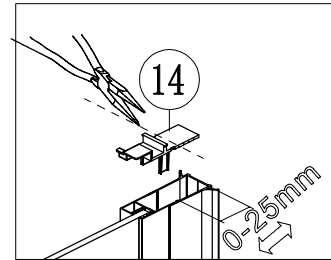
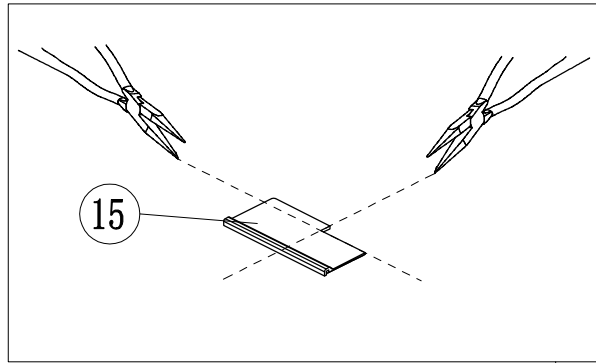
4.



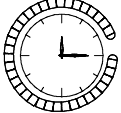
5.

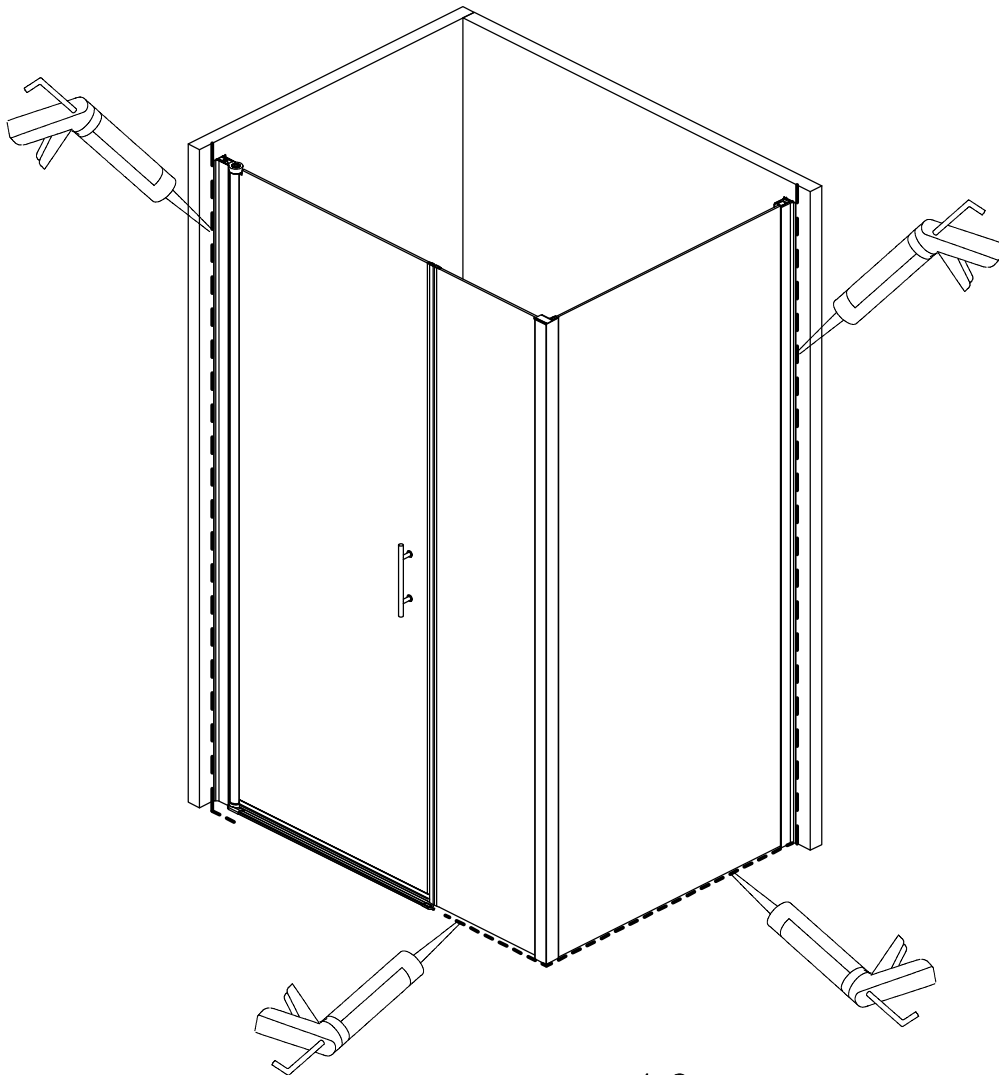
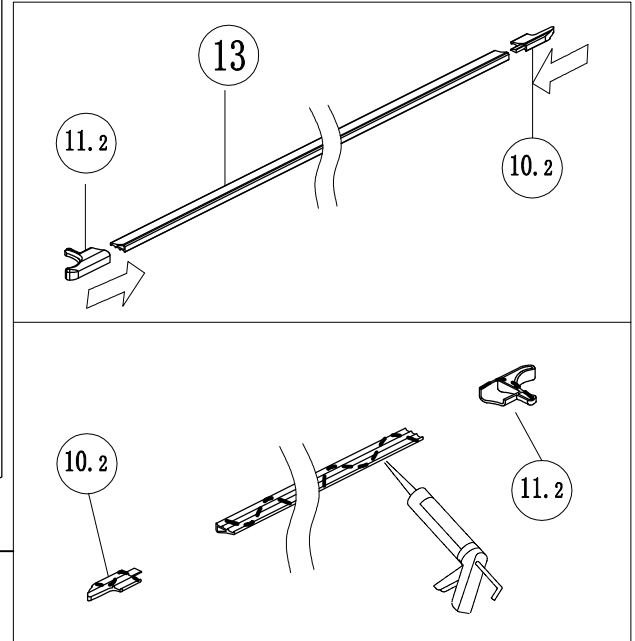
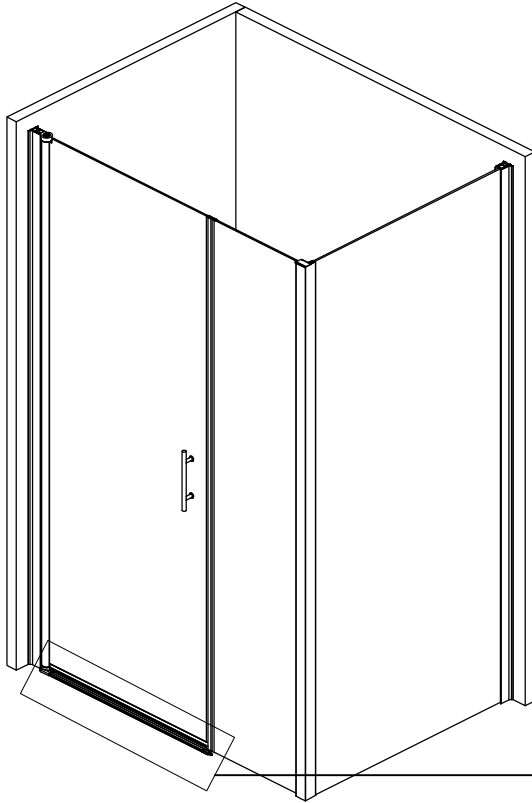


6.



7.

24h 



10

8.

