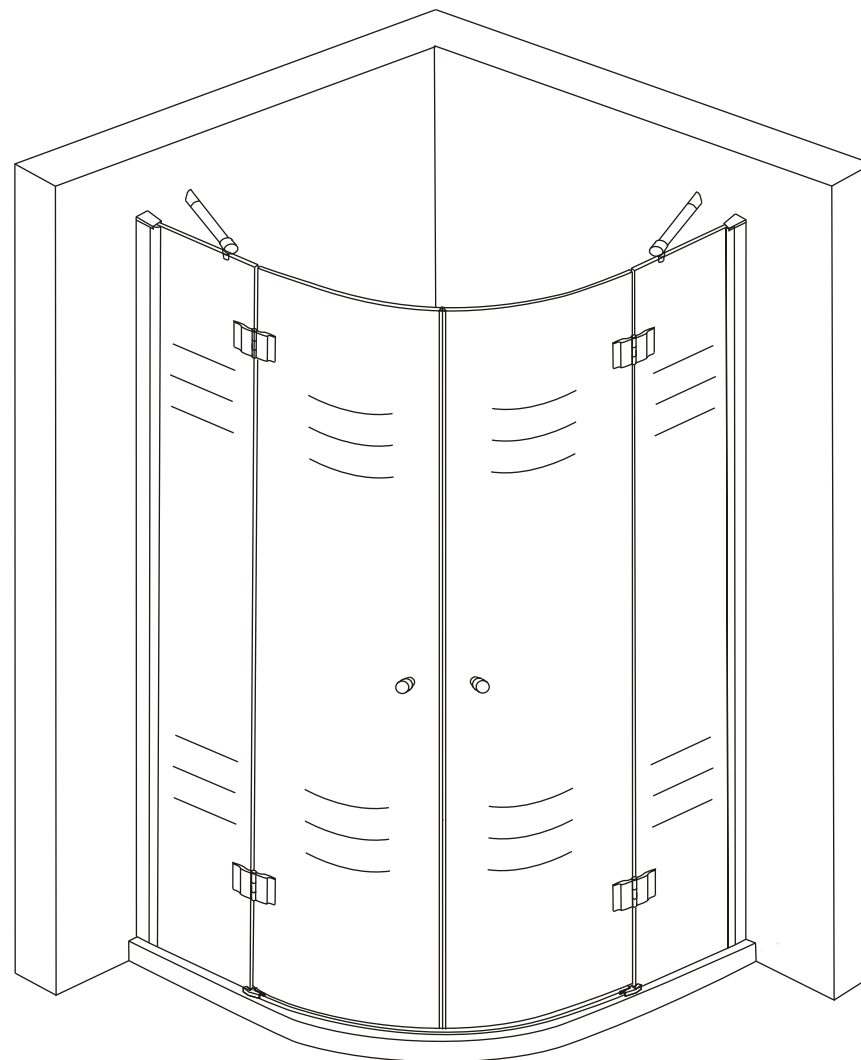


# INSTALLATION MANUAL

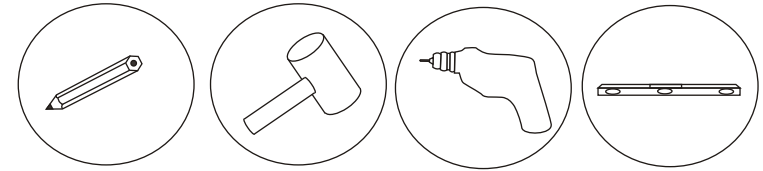
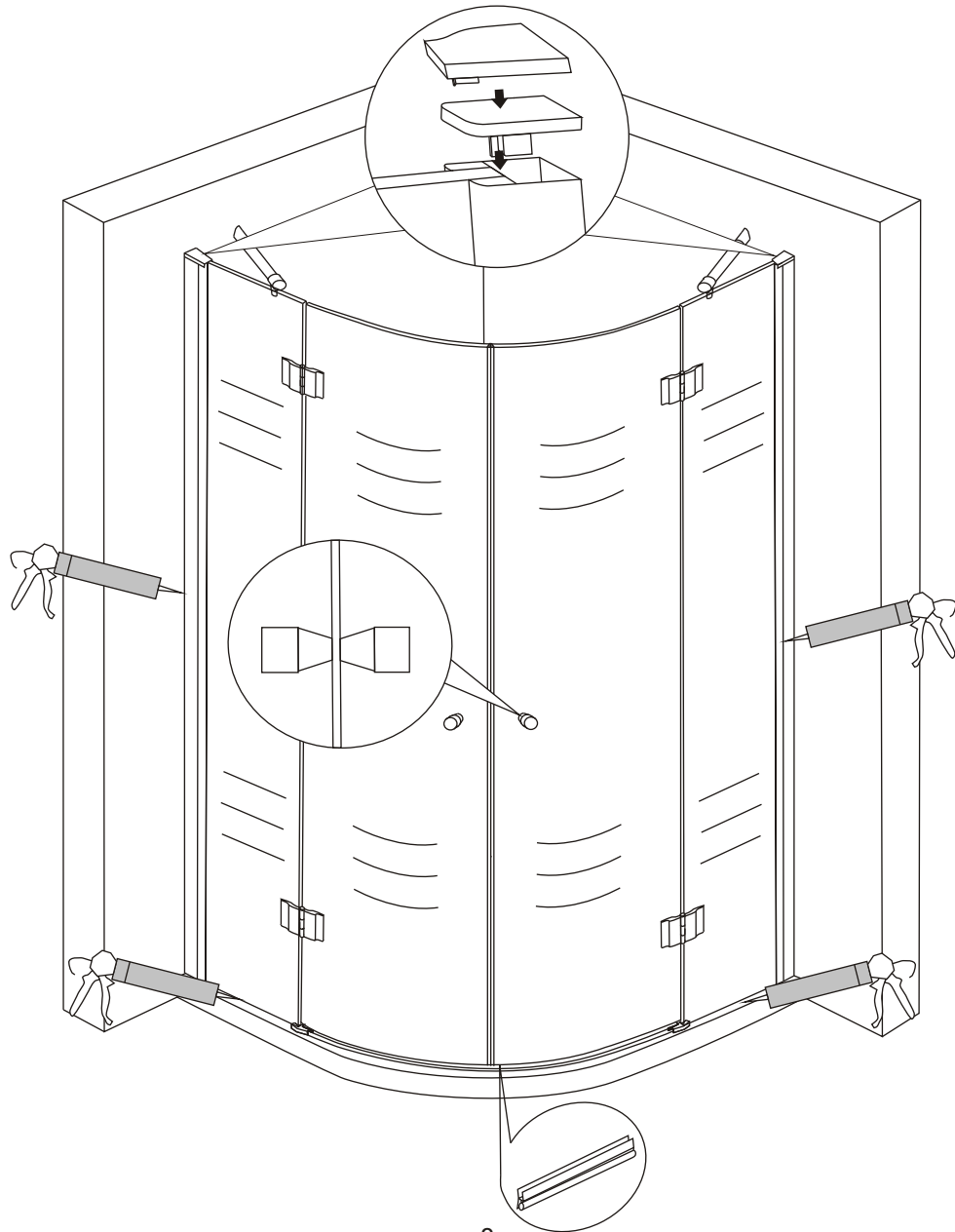
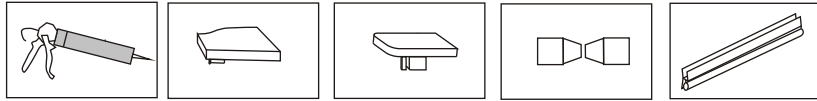


BL-050

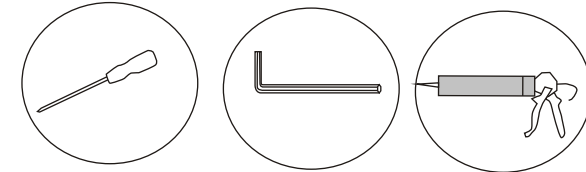
**RoHS**   ISO9001:2000



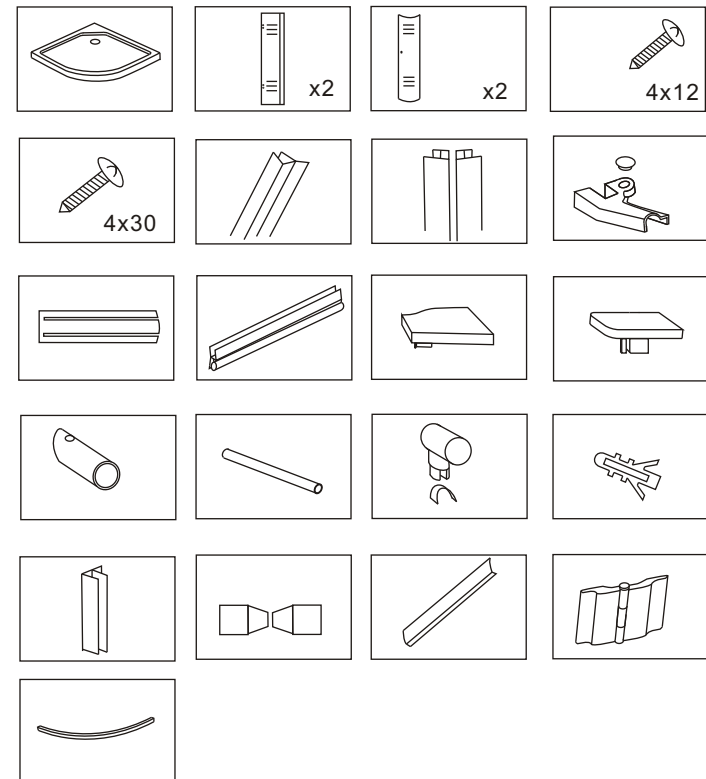
1. Install the caps on the aluminium top.
2. Install the handle.
3. Install the gasket at the bottom of glass door.
4. Use silicon gel to seal the wall aluminium profile and fixed the glass.



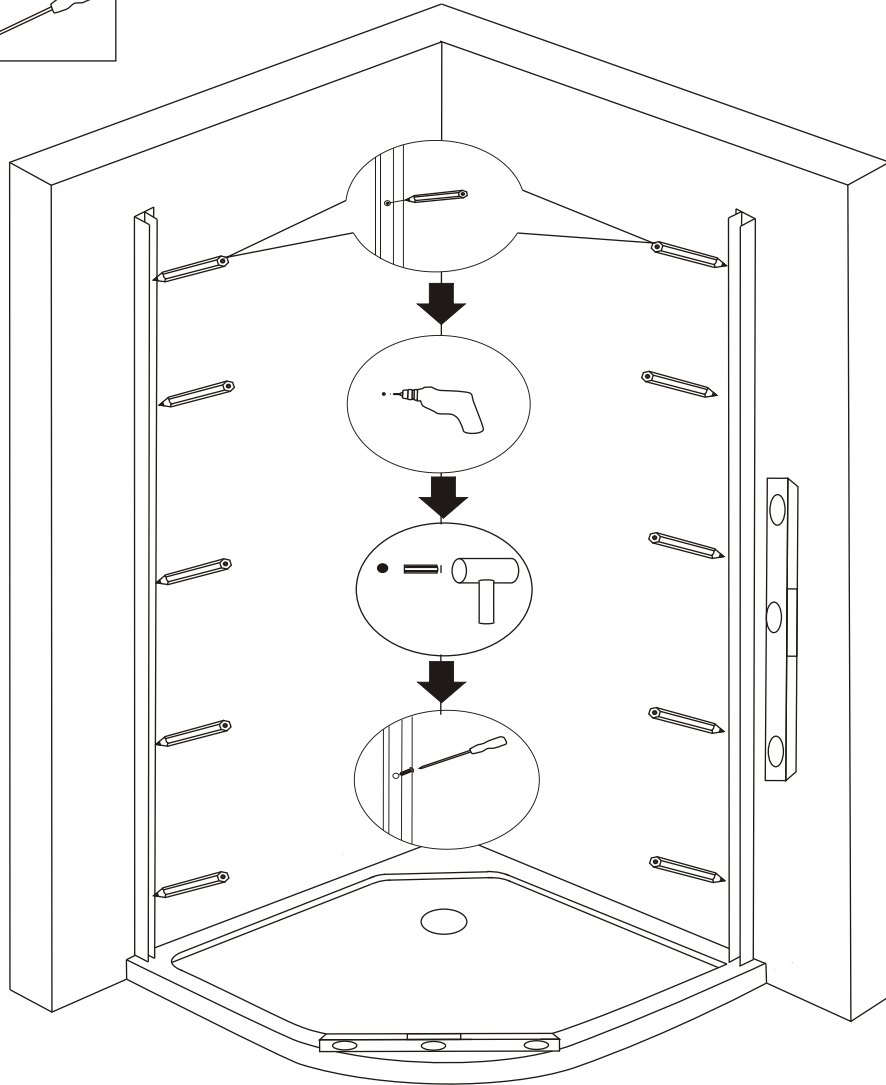
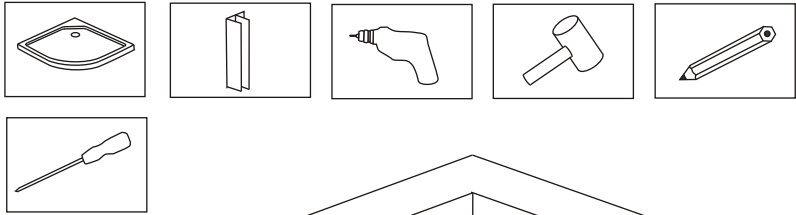
Pencil Rubber hammer Drill machine Level ruler



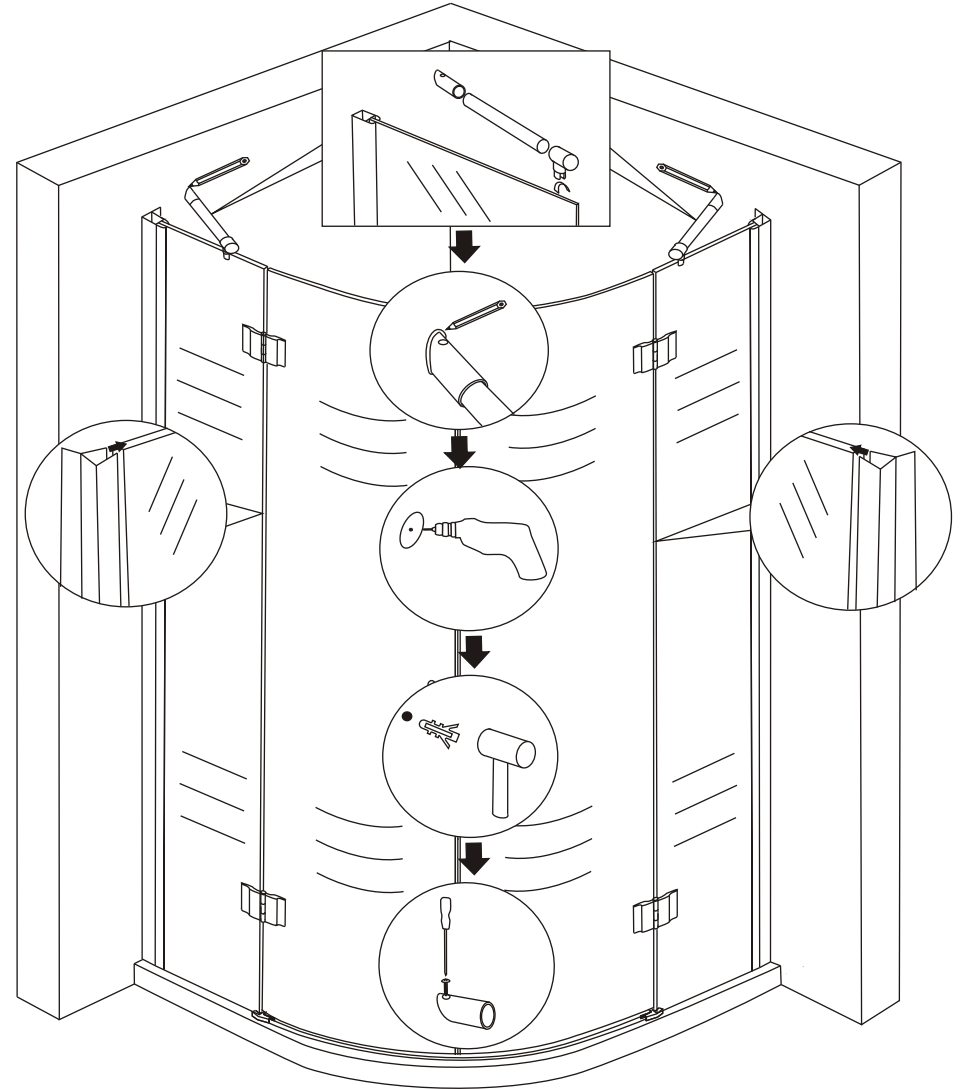
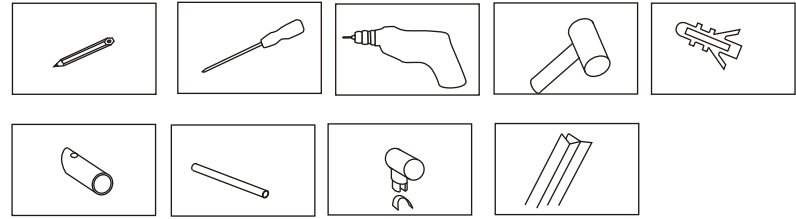
Cross screw driver Inner hexagon spanner Silicon gel (In the package)



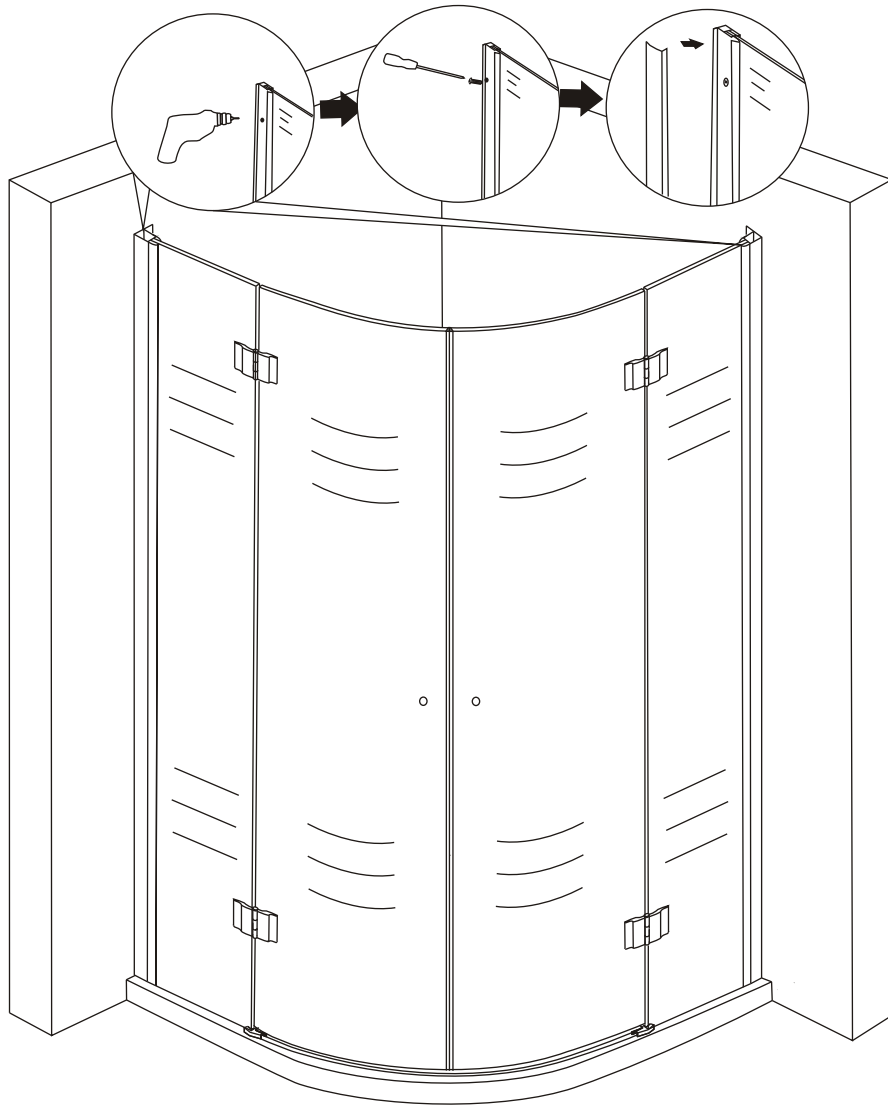
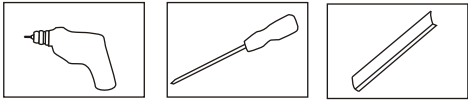
1. Put tray on the installation position.
2. Put aluminium profile on the wall and use level ruler to make it straight.
3. Use pencil draw holes on the wall.
4. Use 6mm drill bit to make holes on the wall.
5. Insert screw space pipe in the wall and screw it.



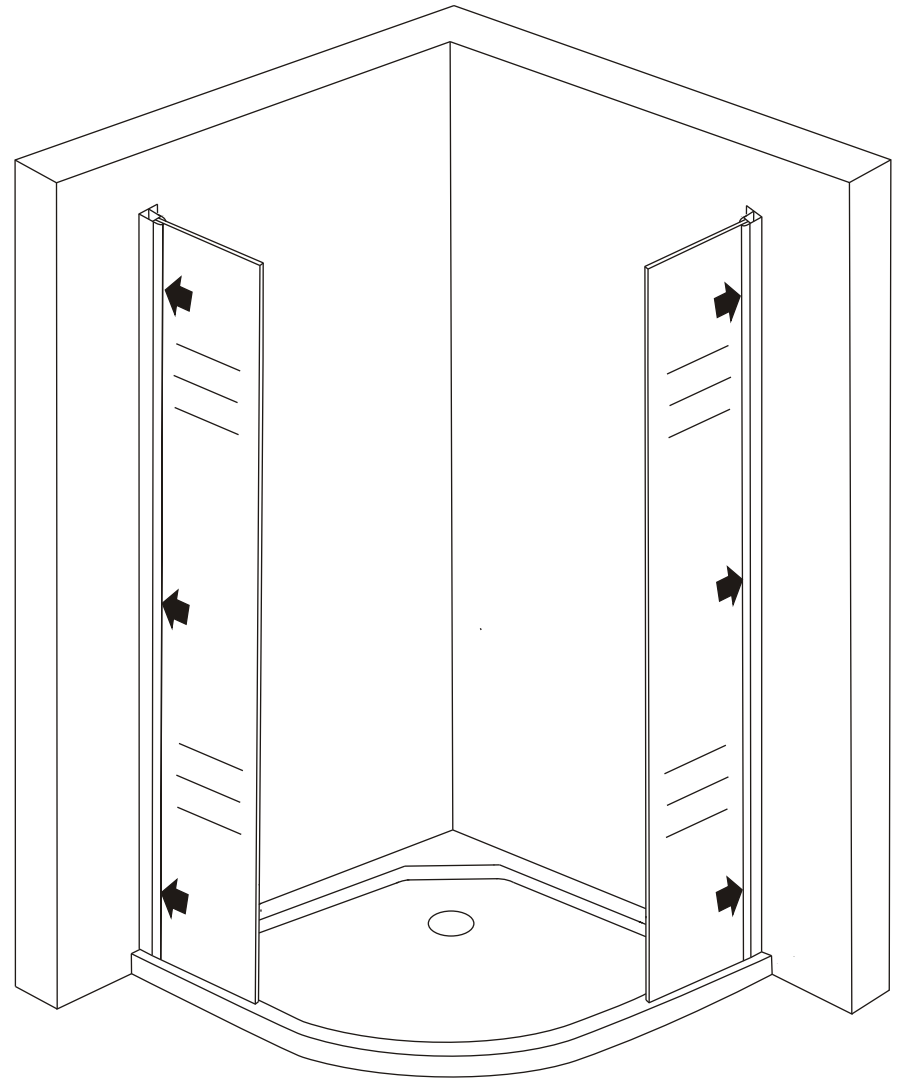
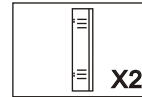
1. Install the water-proof gasket at the glass door side.
2. Install the top support bar.



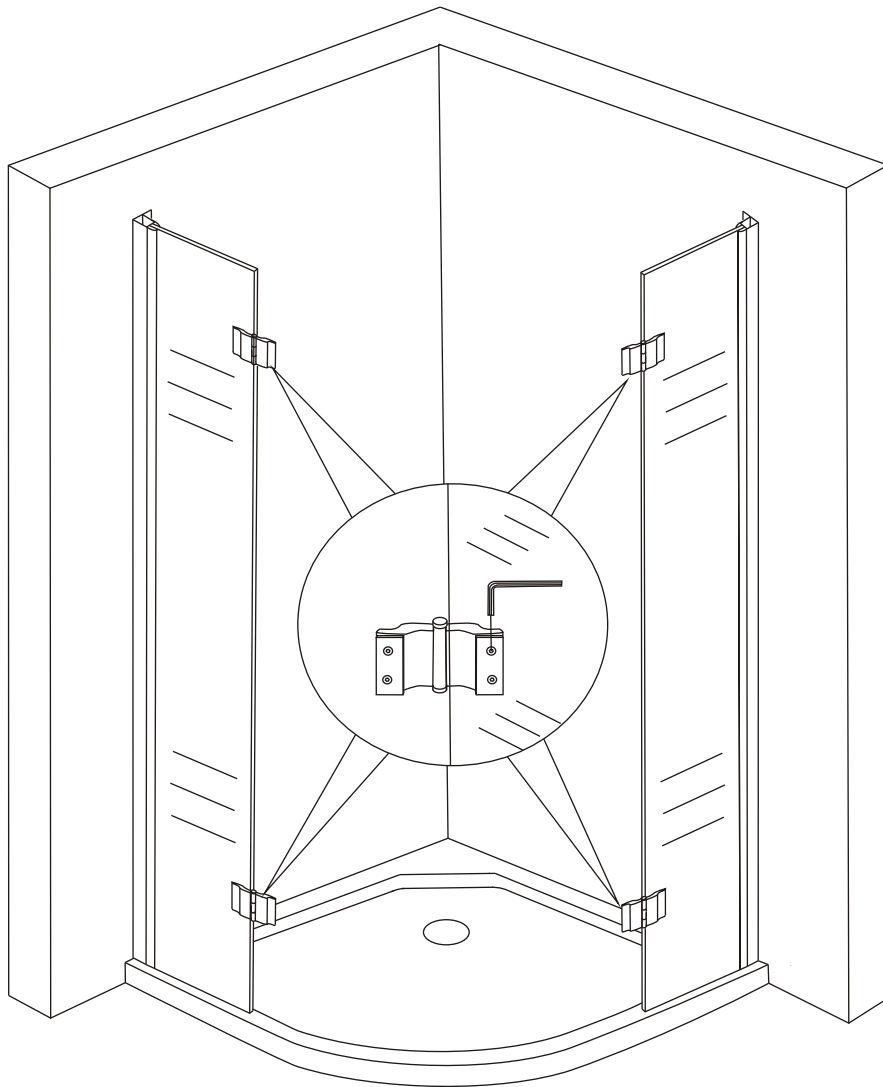
1. Fixed the wall aluminium profiles at the innder side and install the aluminium cover.



1. Install the fixed glass into the wall aluminium profile.

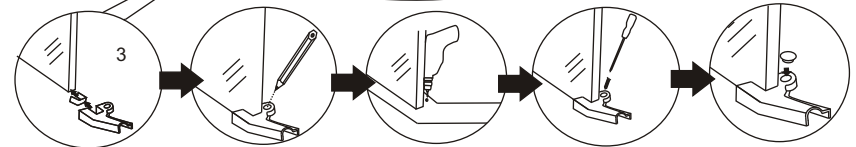
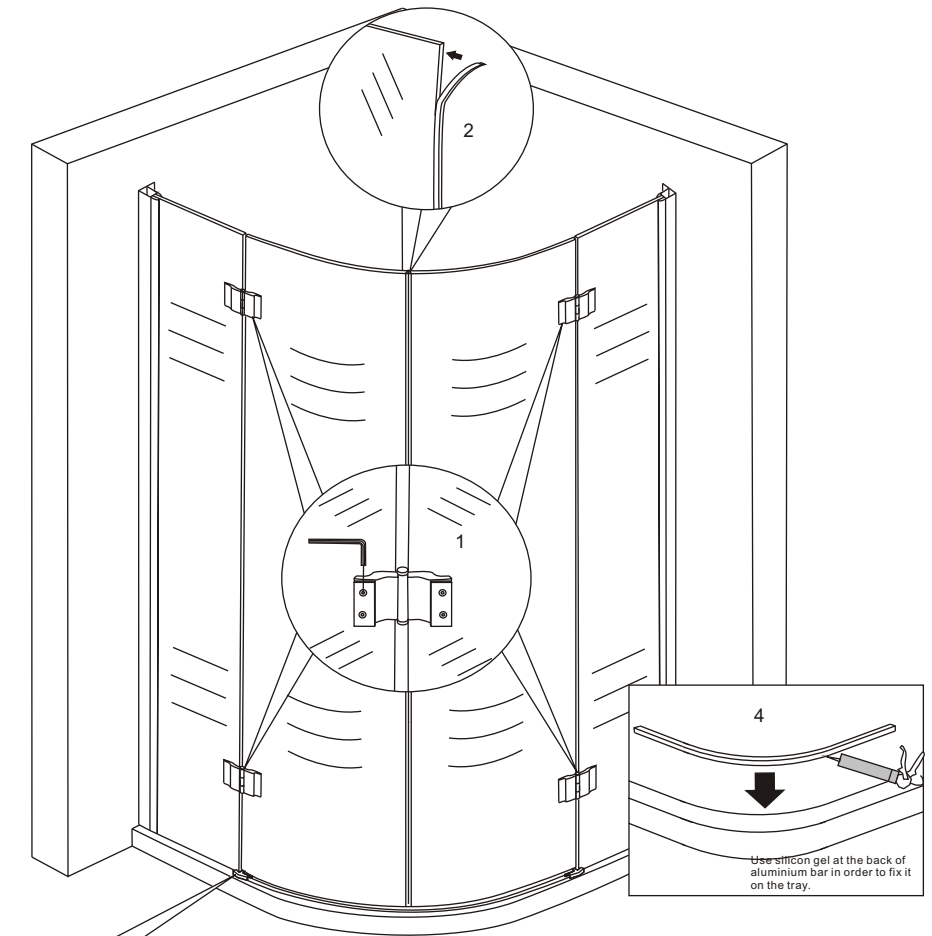
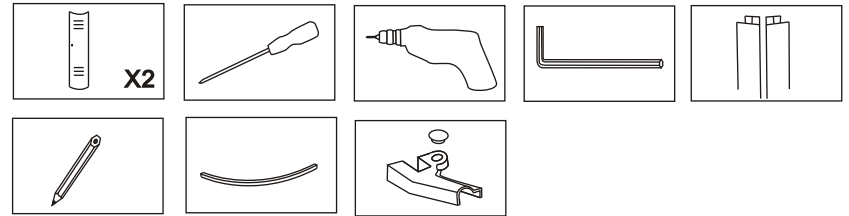


1. Install the hinge on the fixed glass.



4

1. Install the glass door and fix it with hinge.
2. Install the megatic gasket on the door.
3. Install aluminium water-proof bar on the tray and fixed the plastic part.



5