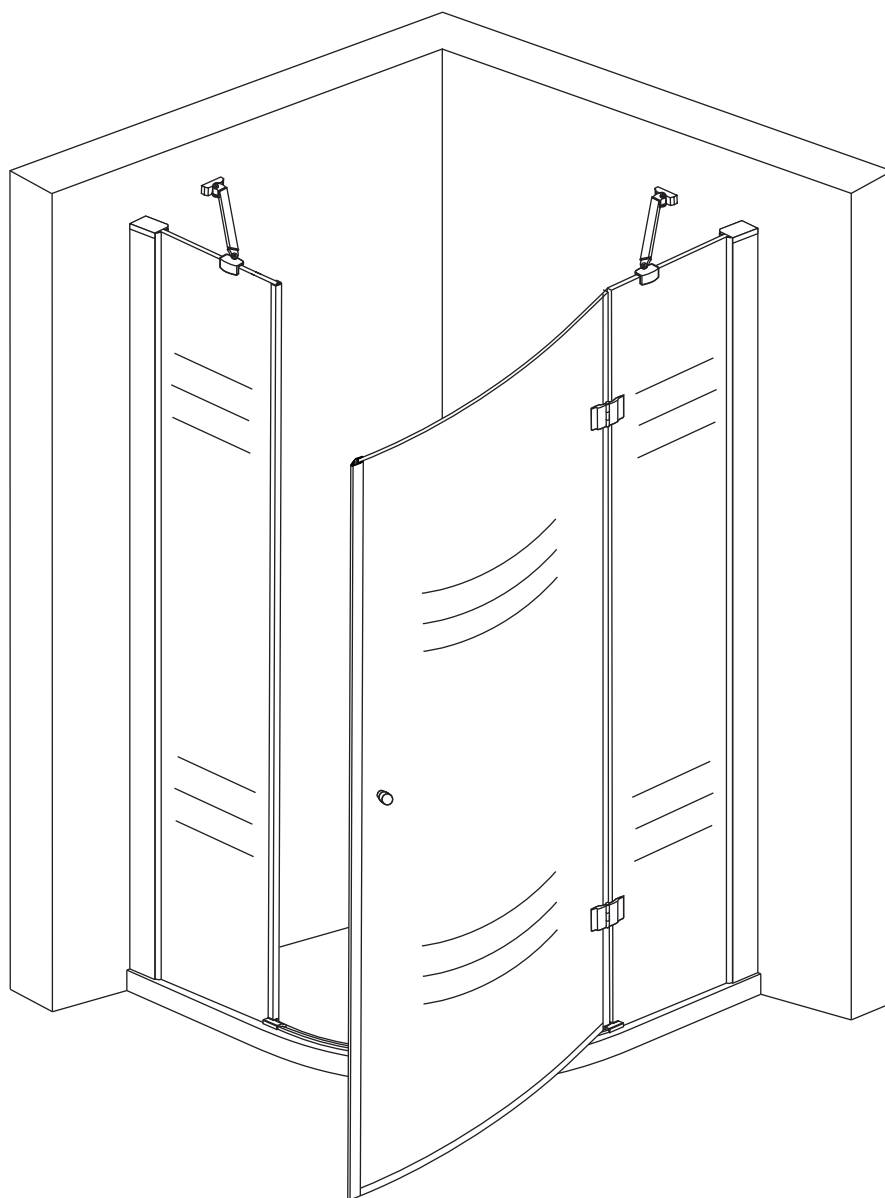
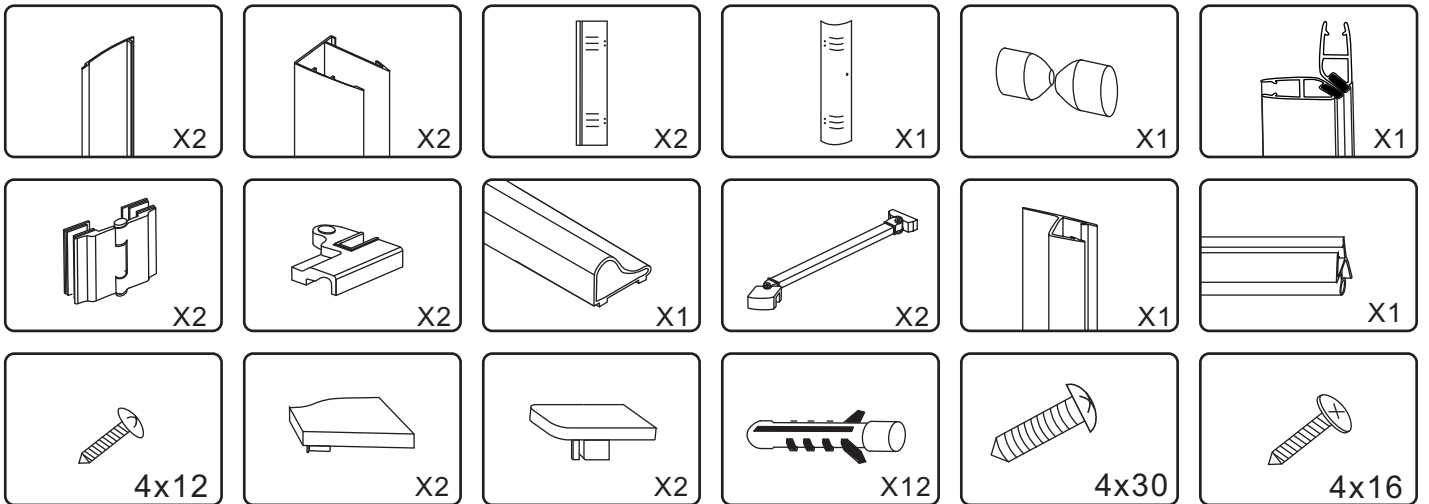
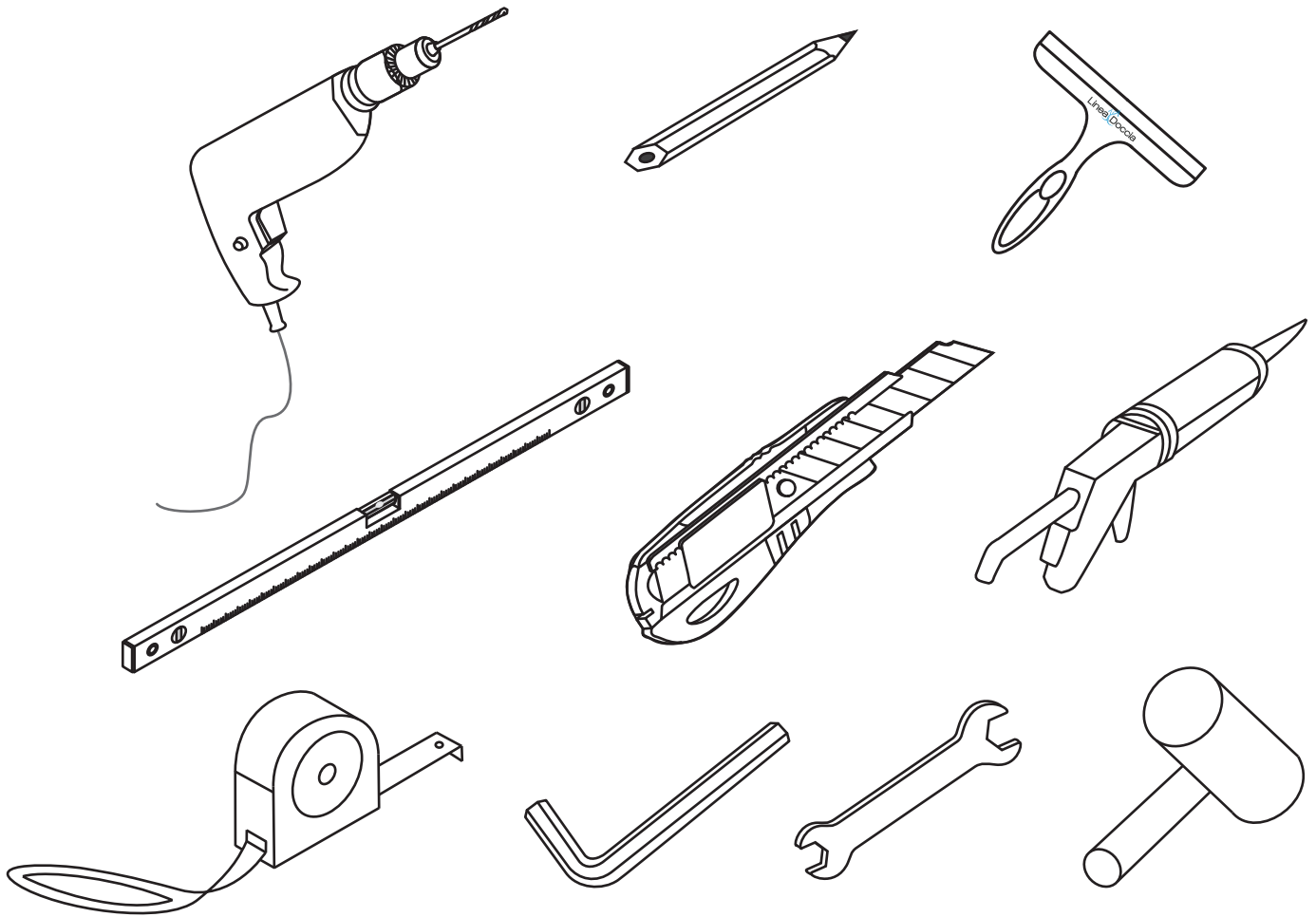


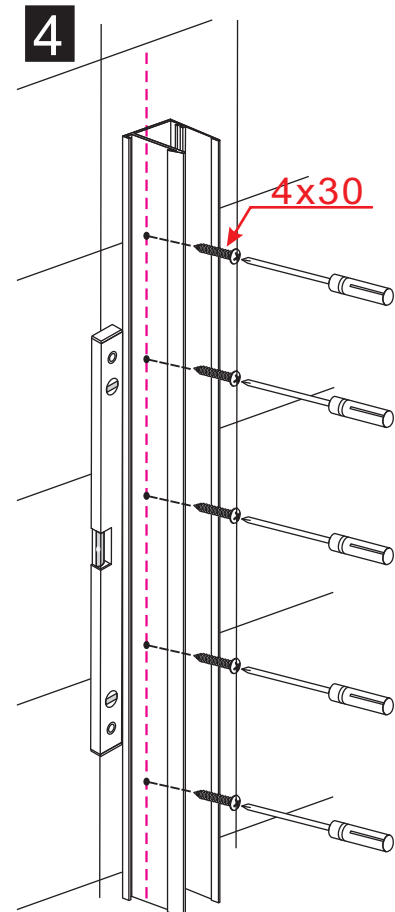
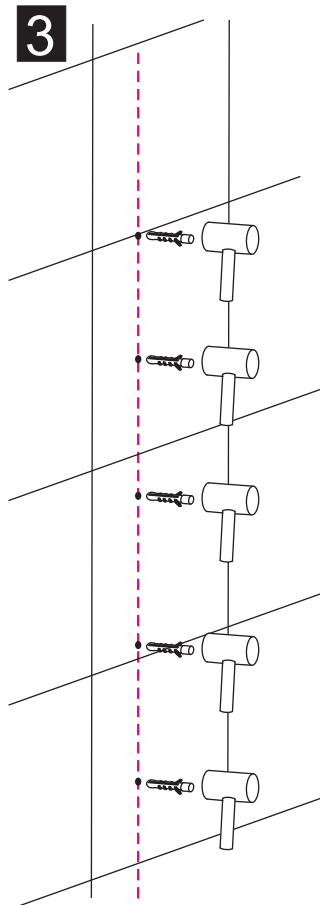
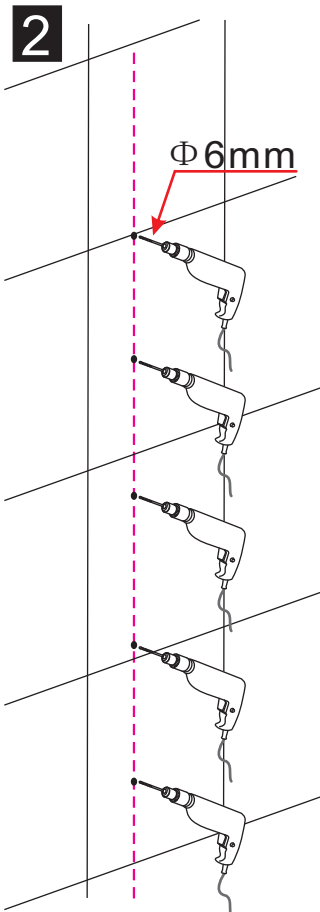
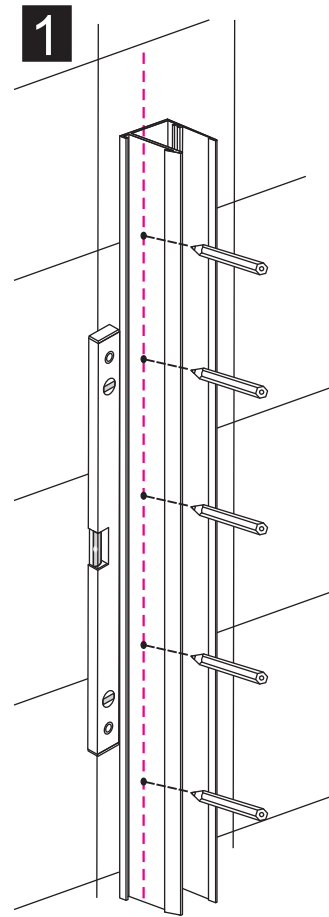
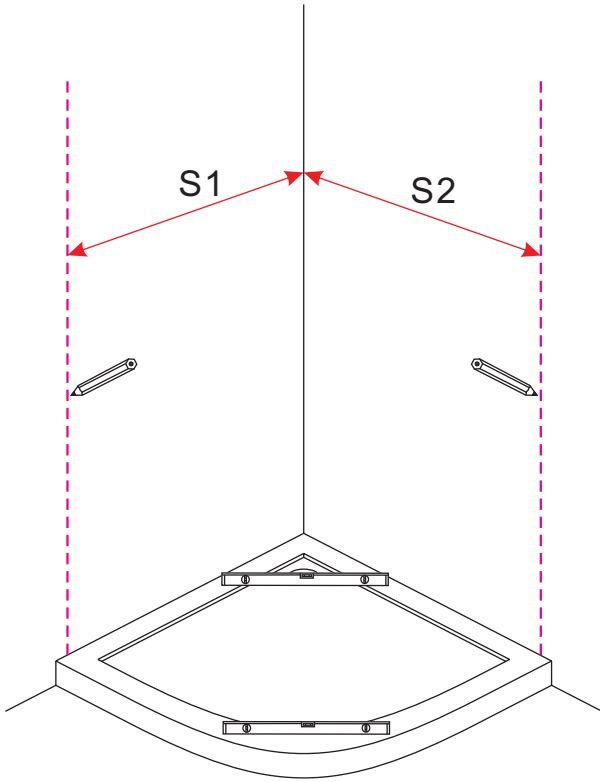
INSTALLATION MANUAL

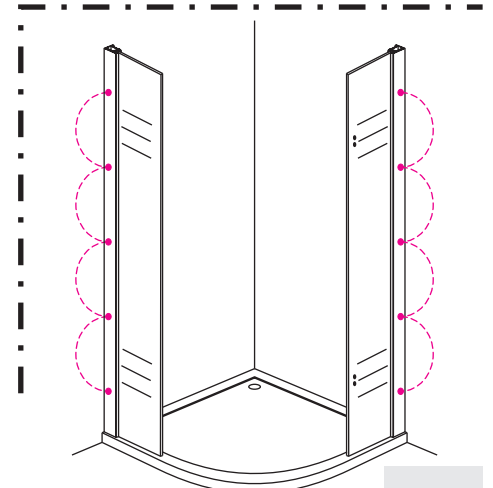
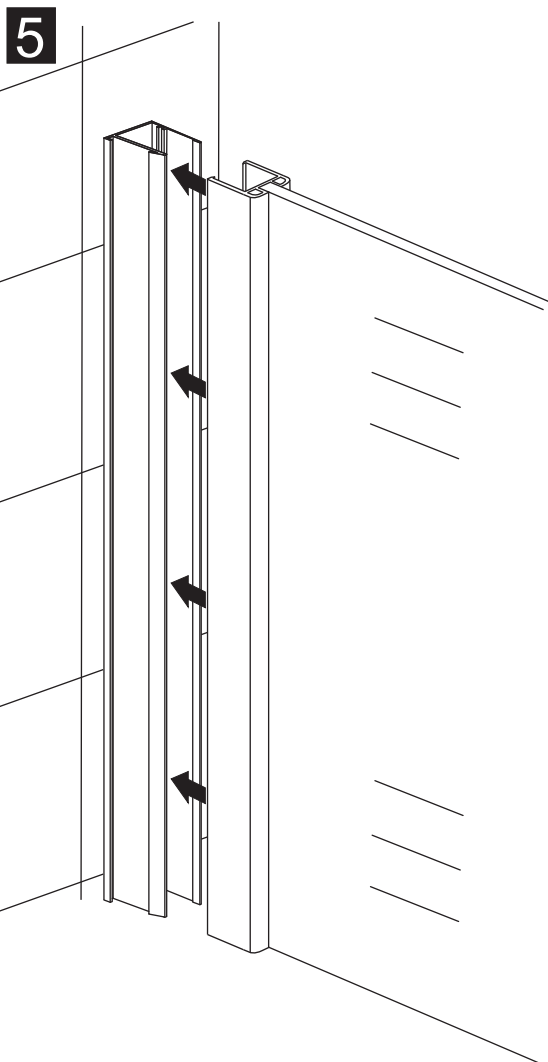
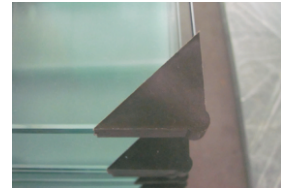
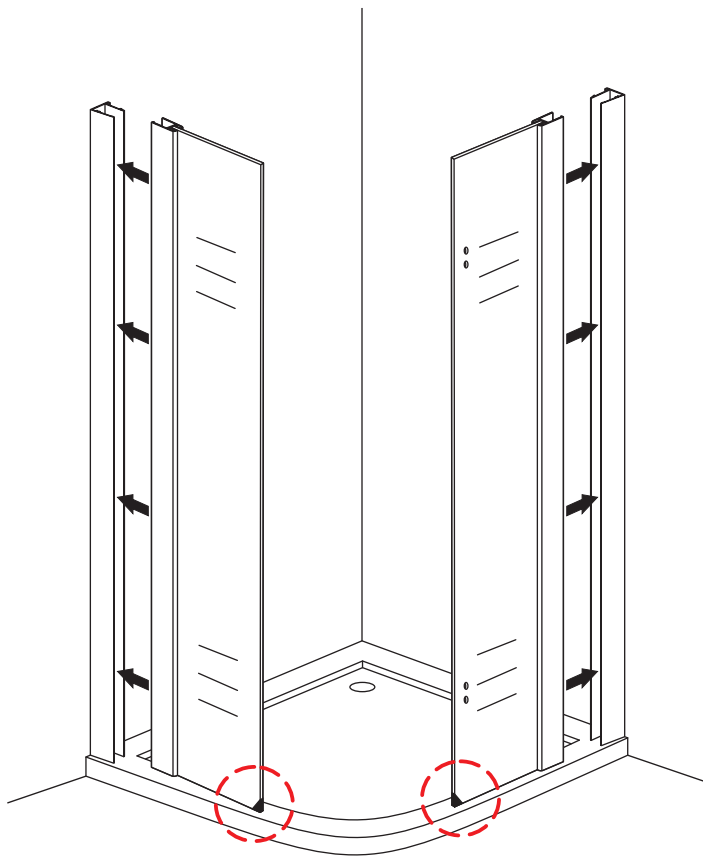


BL-052

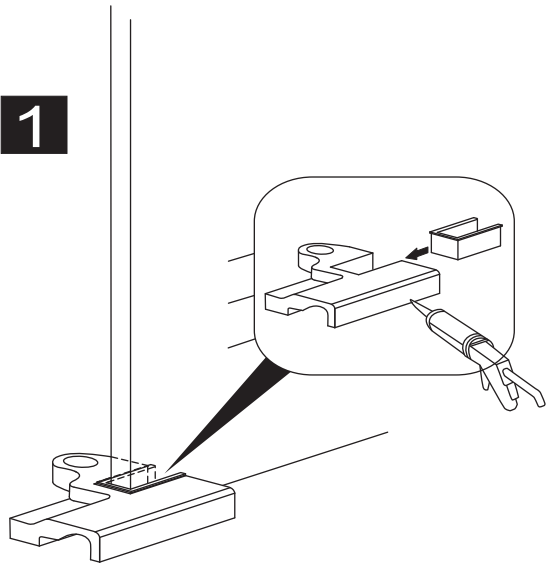


| size | S1 | S2 |
|---------------------|---------|---------|
| (780-800)X(780-800) | 755-775 | 755-775 |
| (880-900)X(880-900) | 855-875 | 855-875 |

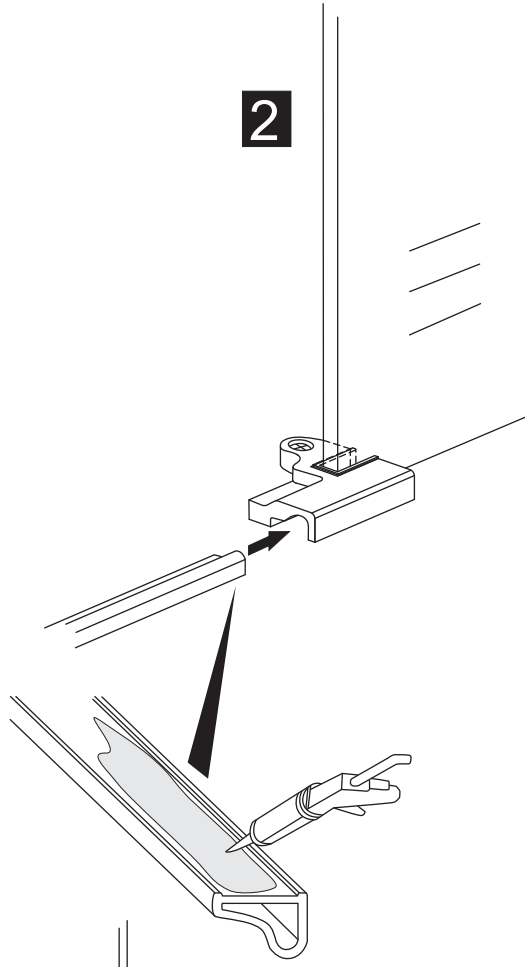




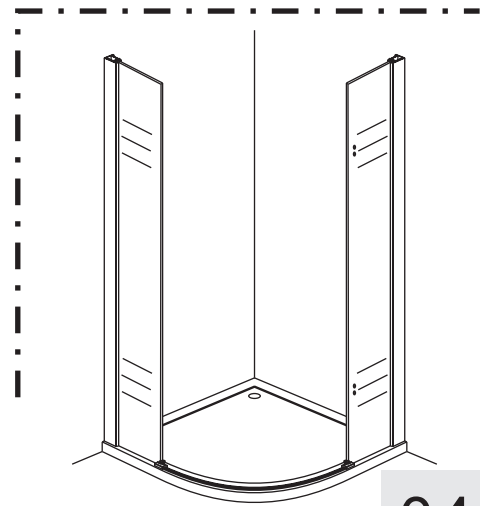
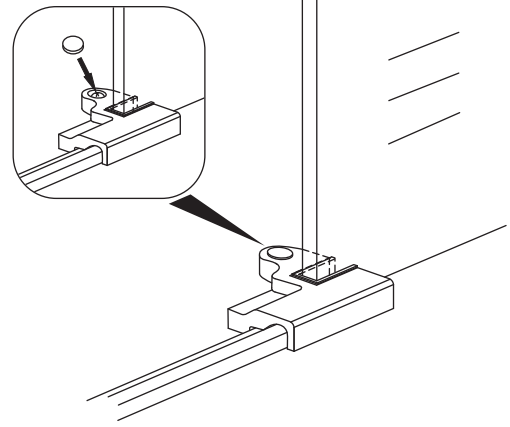
1



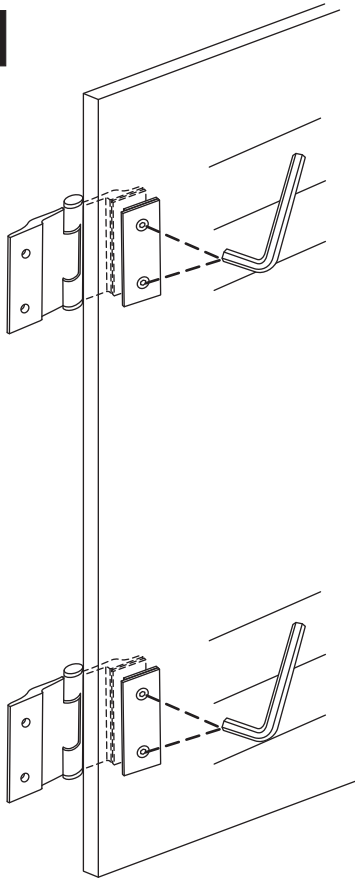
2



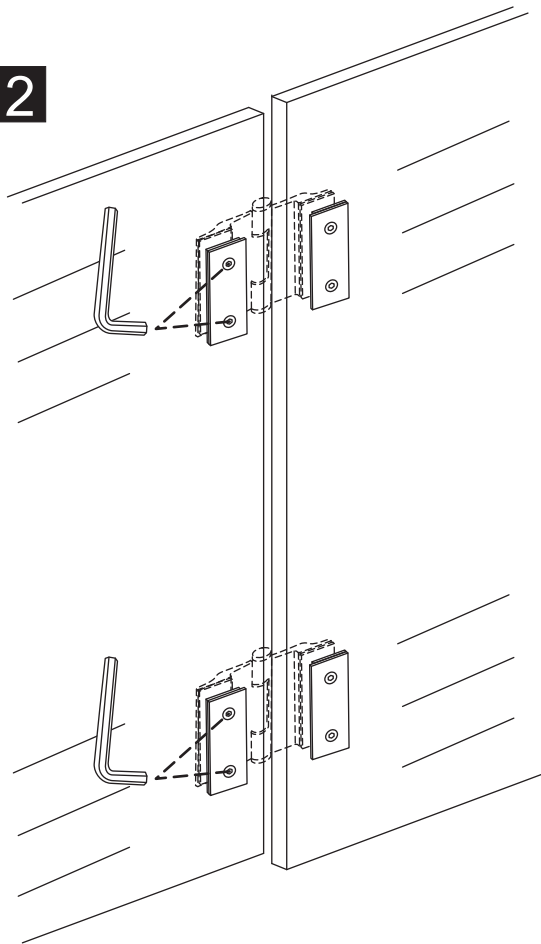
3



1



2



3

