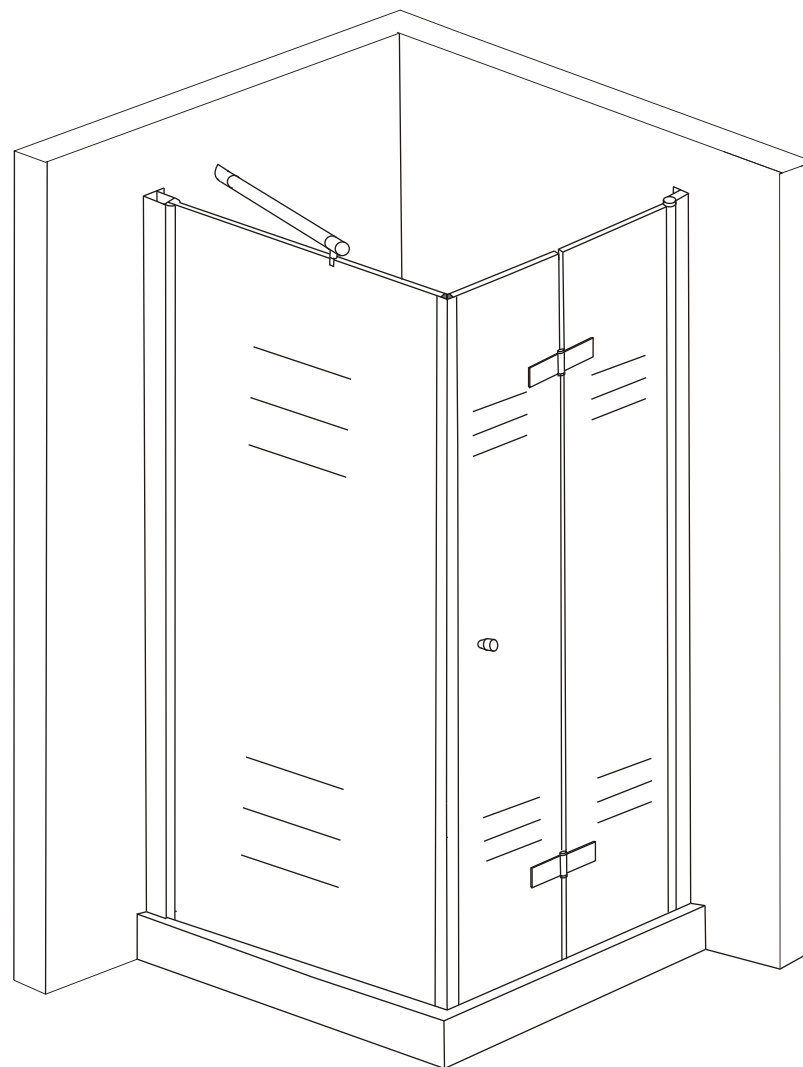


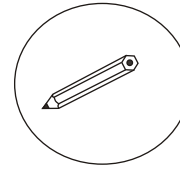
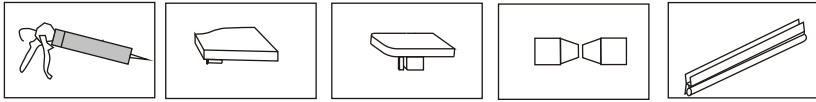
# INSTALLATION MANUAL



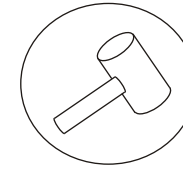
BL-053

*RoHS*  ISO9001:2000

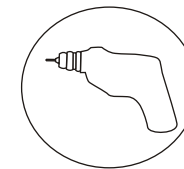
1. Install the caps on the aluminium top.
2. Install the handle.
3. Install the gasket at the bottom of glass door.
4. Use silicon gel to seal the wall aluminium profile and fixed the glass.



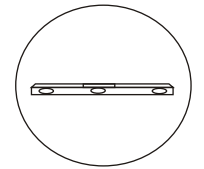
Pencil



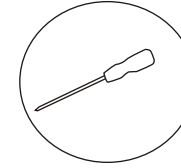
Rubber hammer



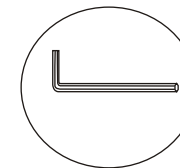
Drill machine



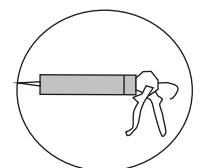
Level ruler



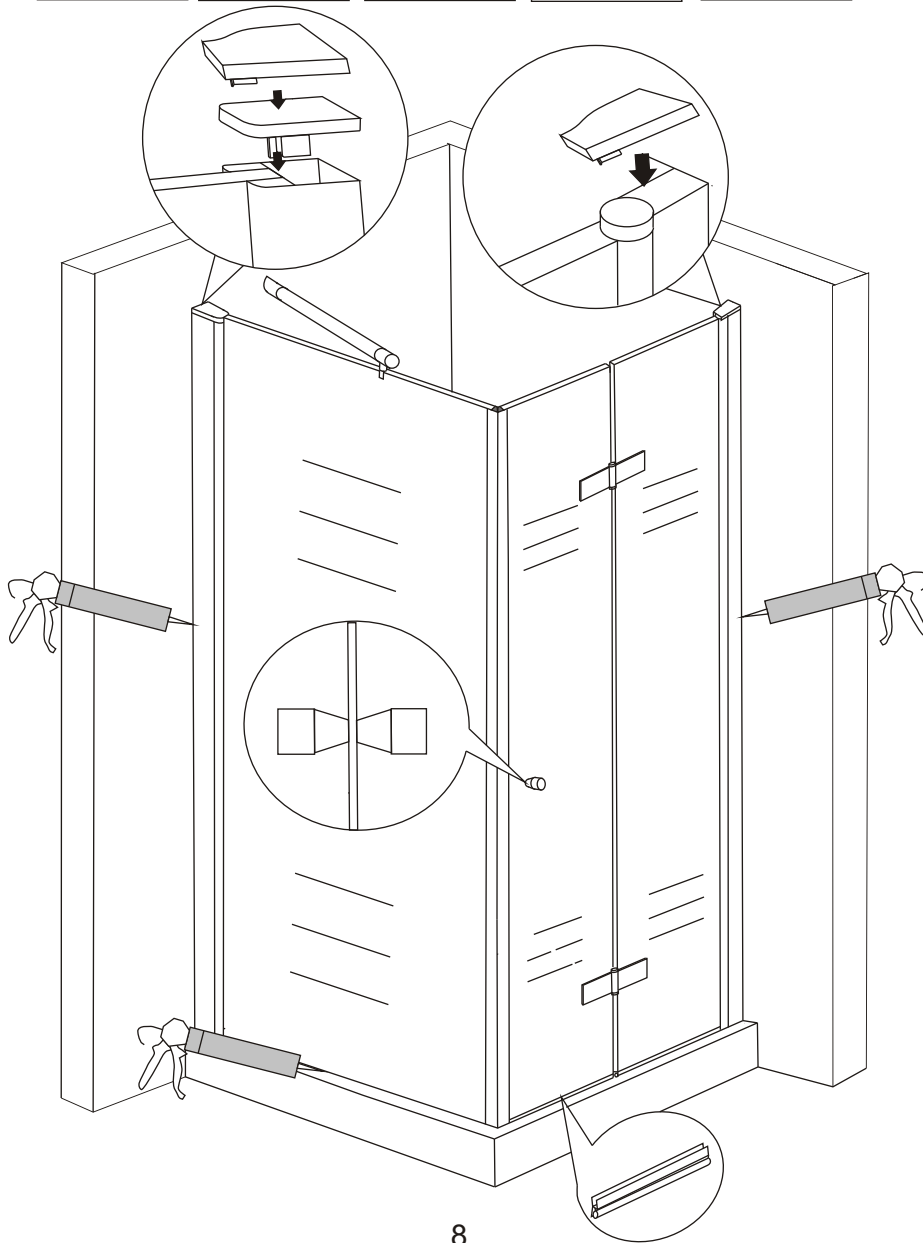
Cross screw driver



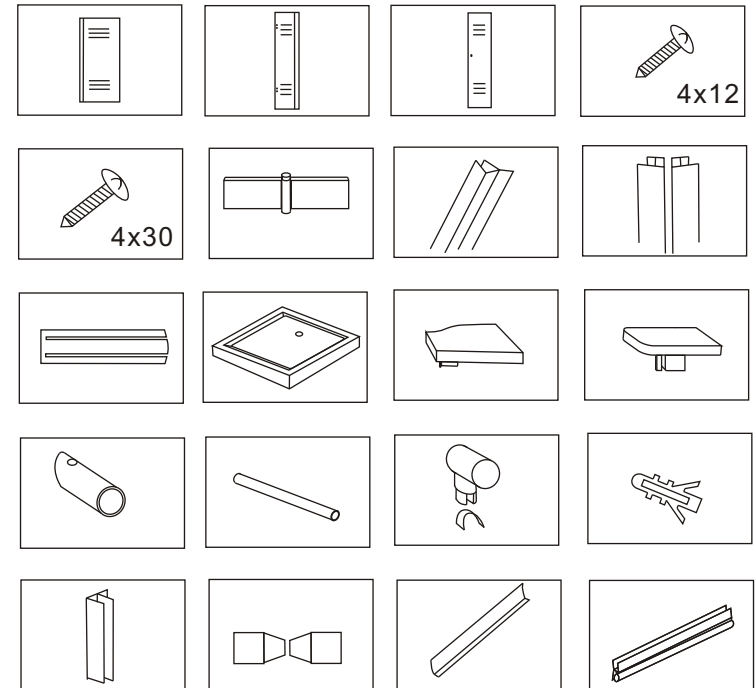
Inner hexagon spanner  
(In the package)



Silicon gel

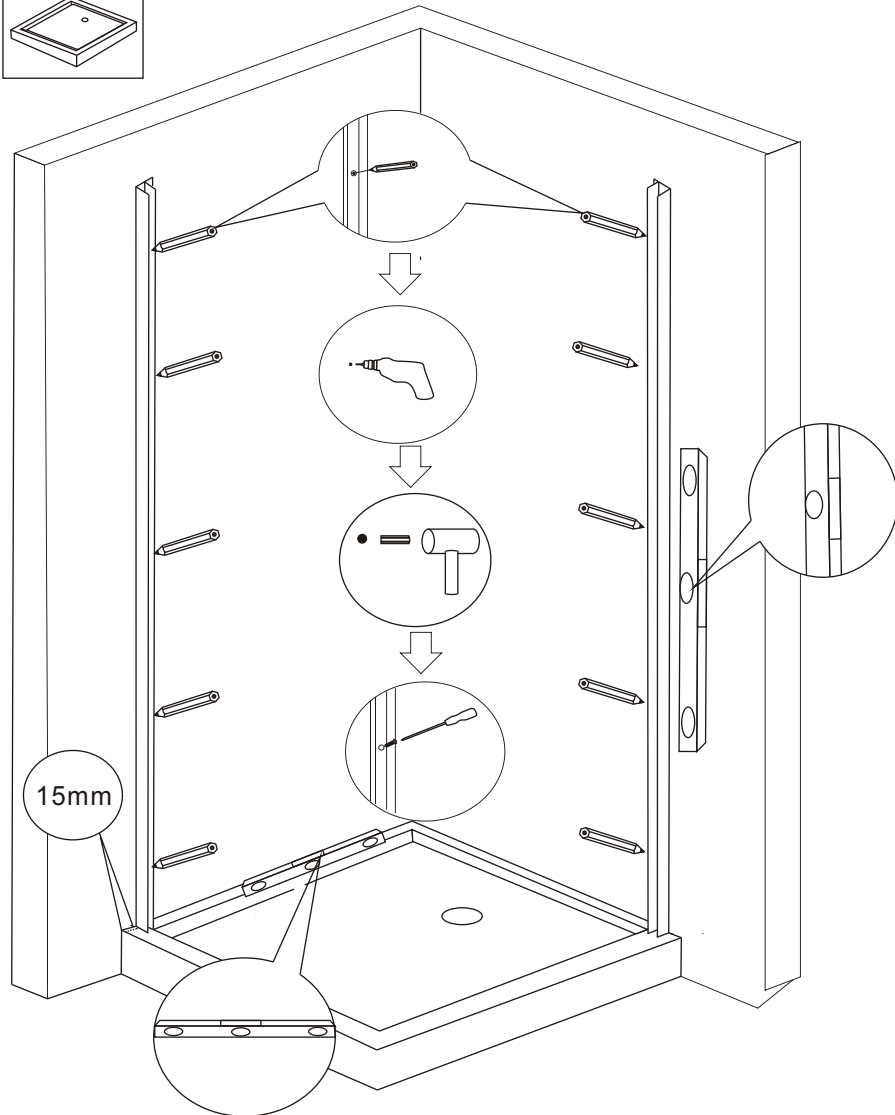
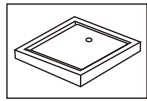
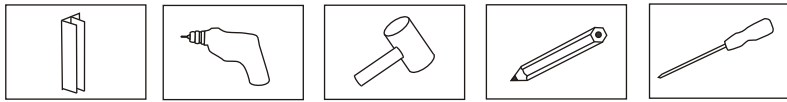


8



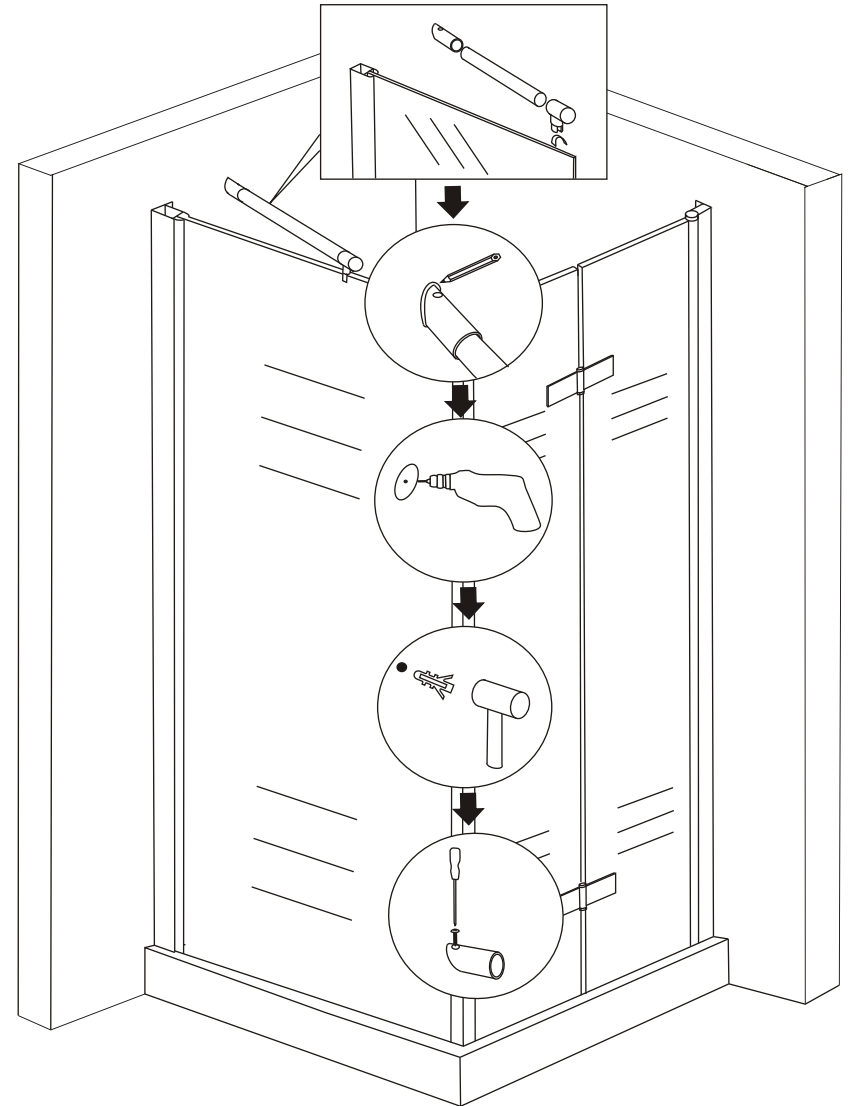
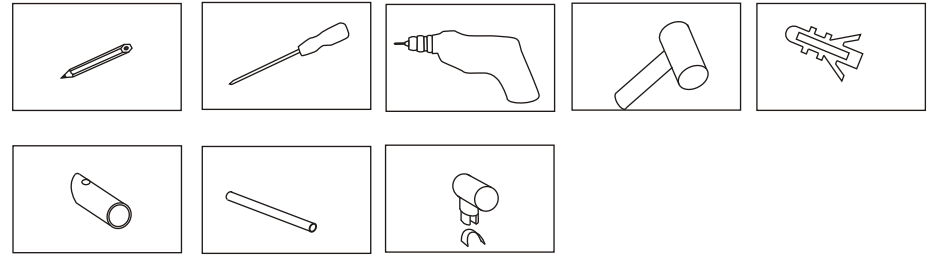
1

1. Put tray on the installation position.
2. Put aluminium profile on the wall and use level ruler to make it straight.
3. Use pencil draw holes on the wall.
4. Use 6mm drill bit to make holes on the wall.
5. Insert screw space pipe in the wall and screw it.



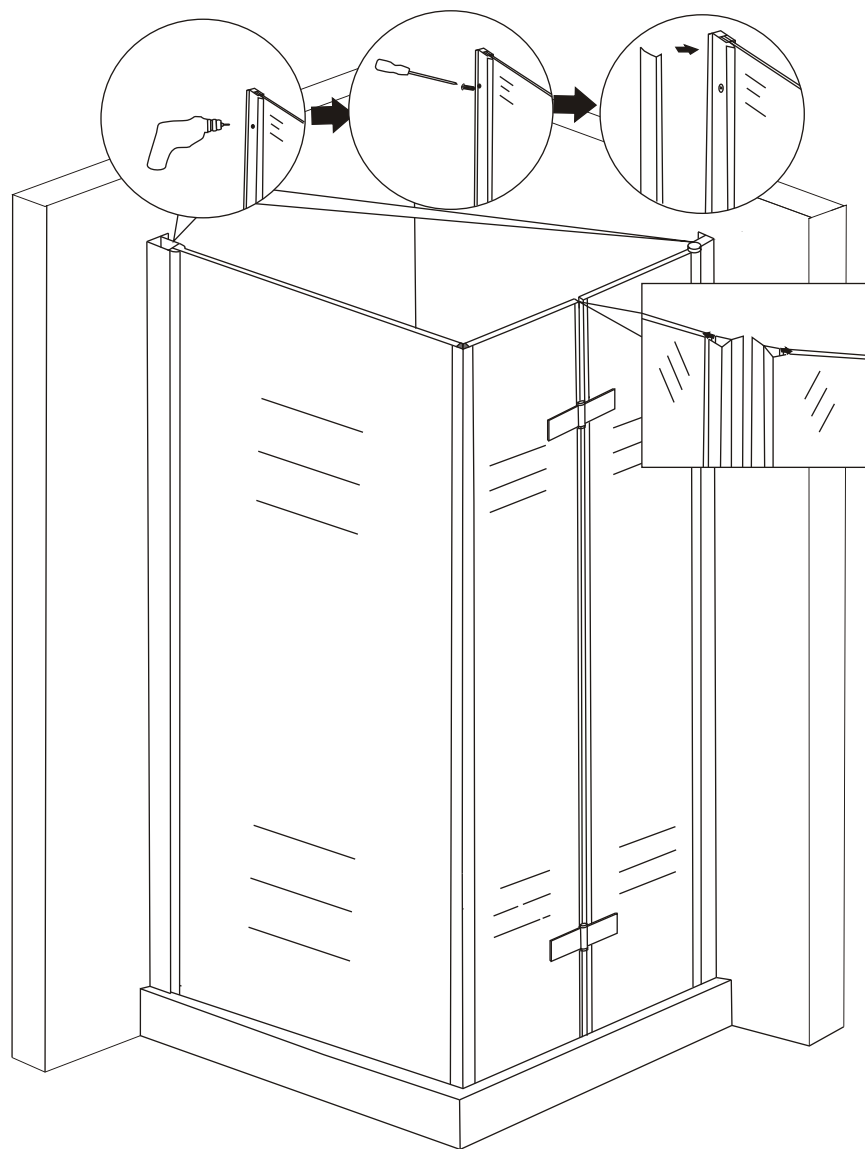
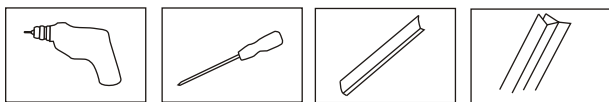
2

1. Install the top support bar.



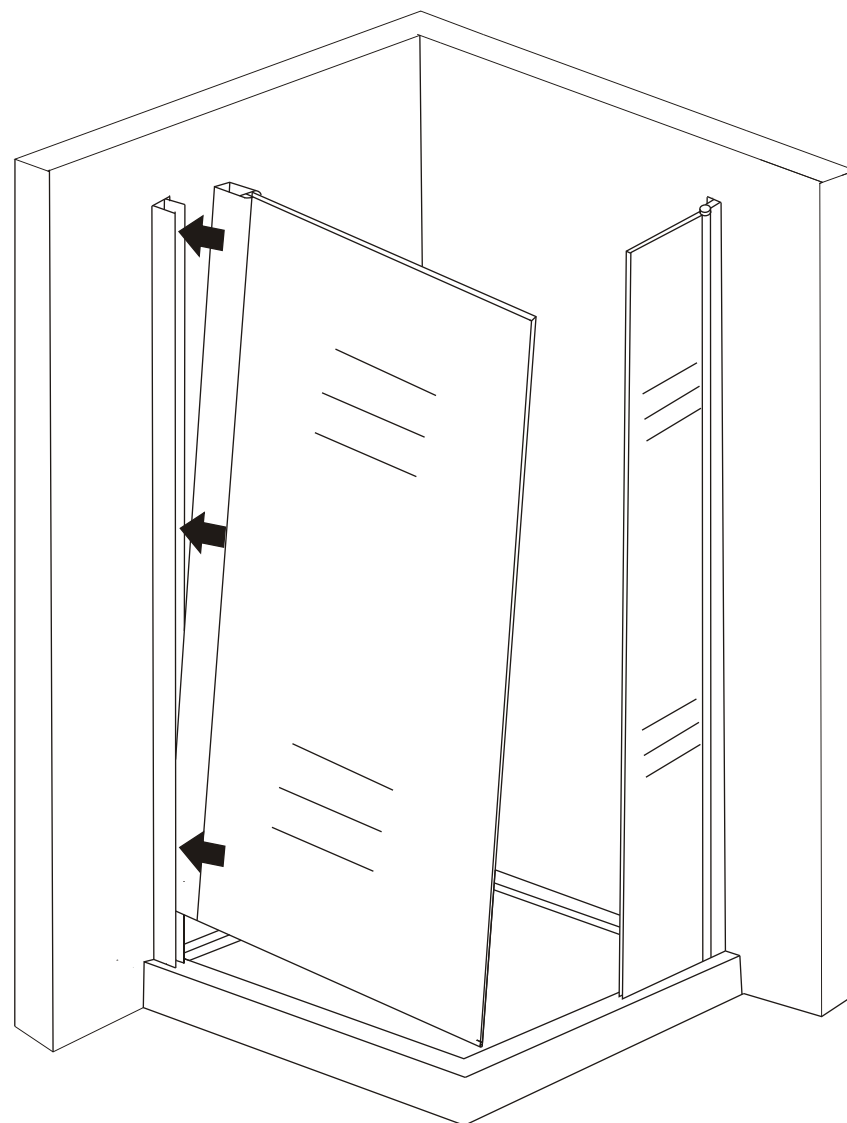
7

1. Install the water-proof gasket at both glass.
2. Fixed the wall aluminium profiles at the inner side and install the aluminium cover.



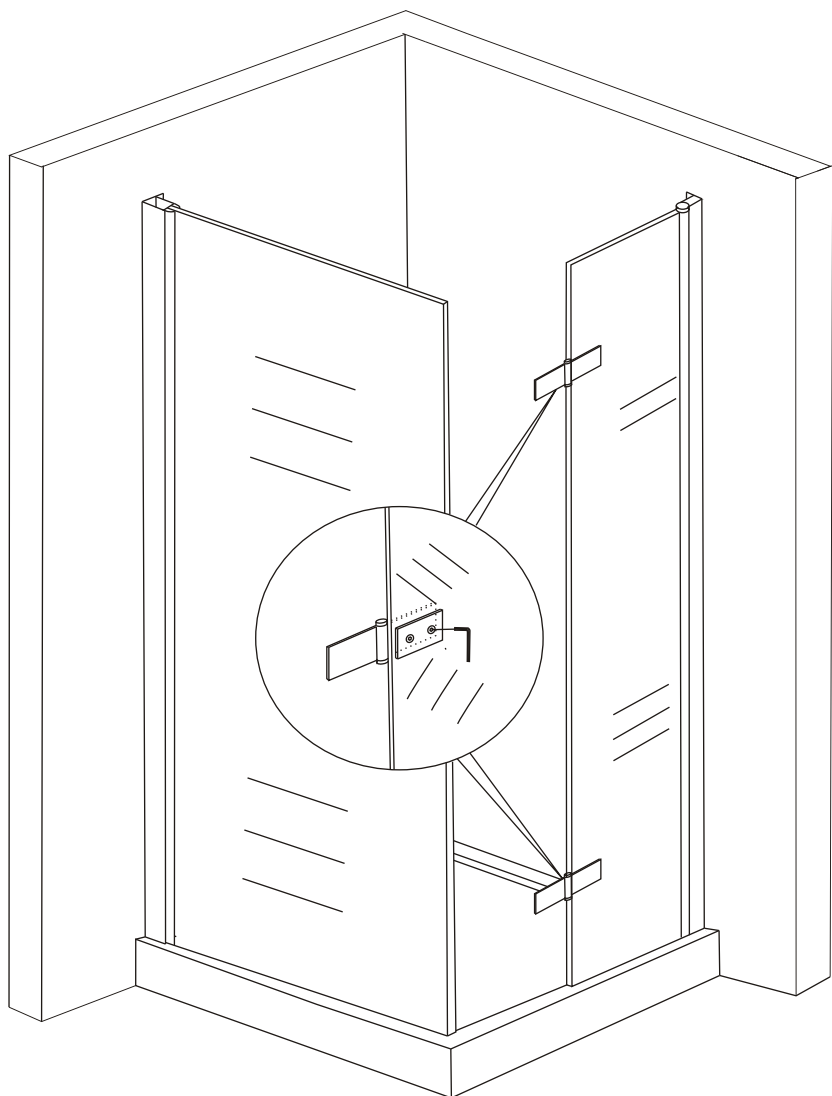
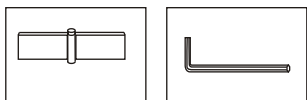
6

1. Install the fixed glass into the wall aluminium profile.



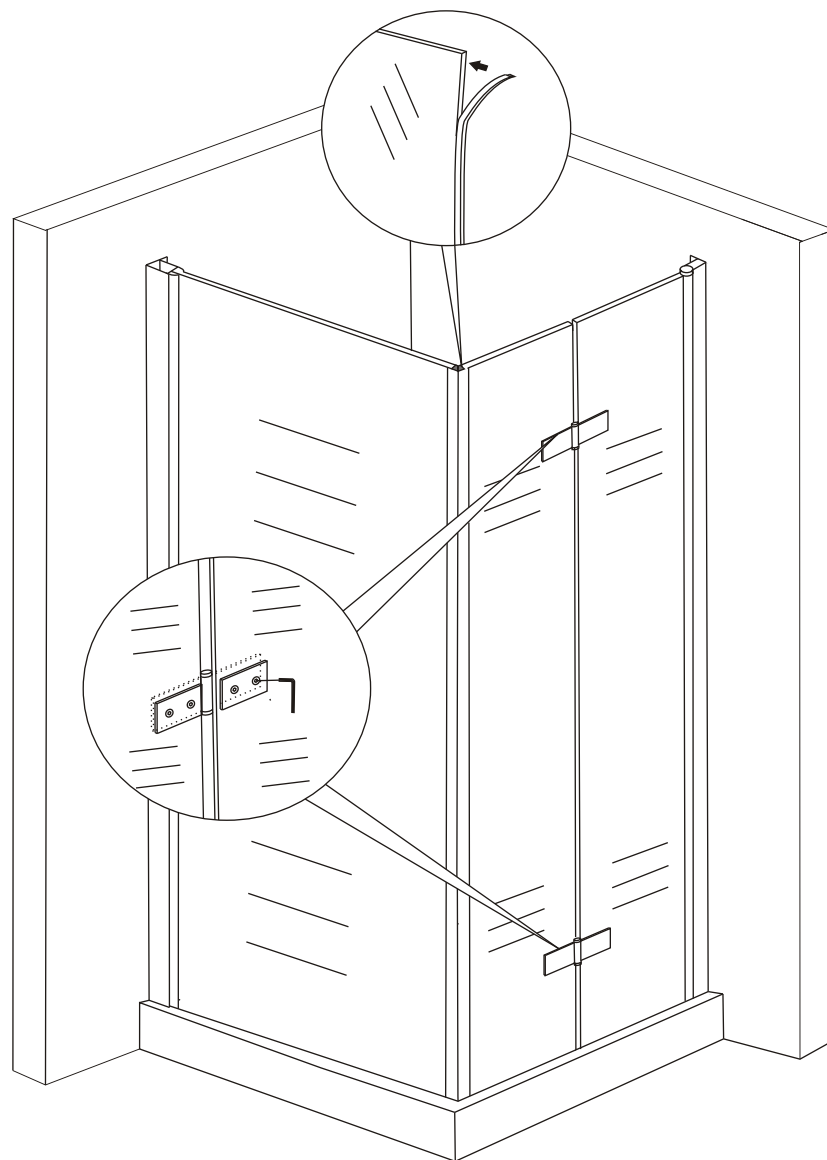
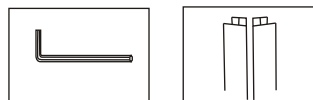
3

1. Install the hinge on the fixed glass.



4

1. Install the glass door and fix it with hinge.  
2. Install the megatic gasket on the door.



5