

Stud Type Junction Blocks

Applications:

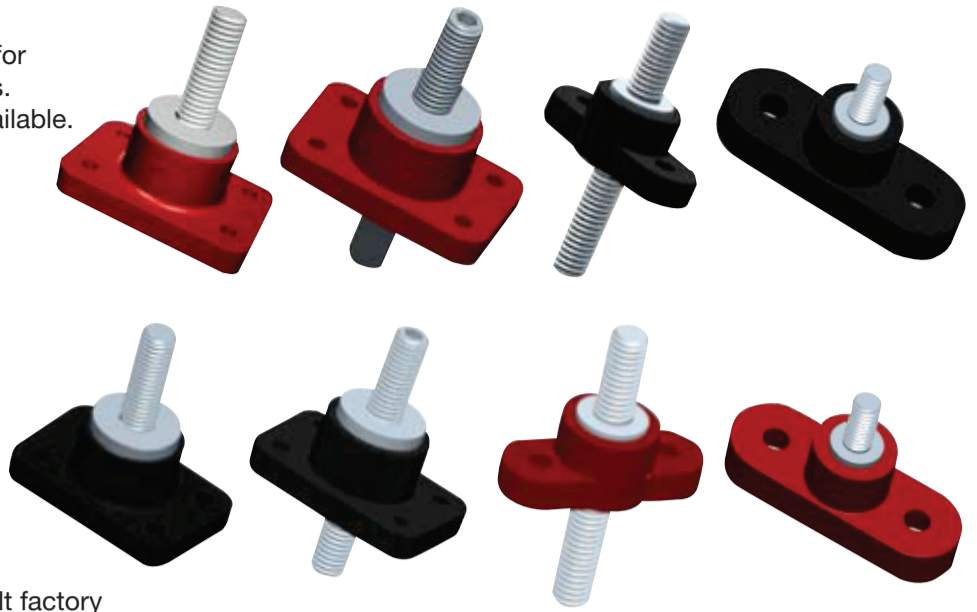
Heavy duty power connection options for DC circuits in vehicle electrical systems. Feed thru or surface mount options available.

Mounting Torque Rating: 48in-lbs

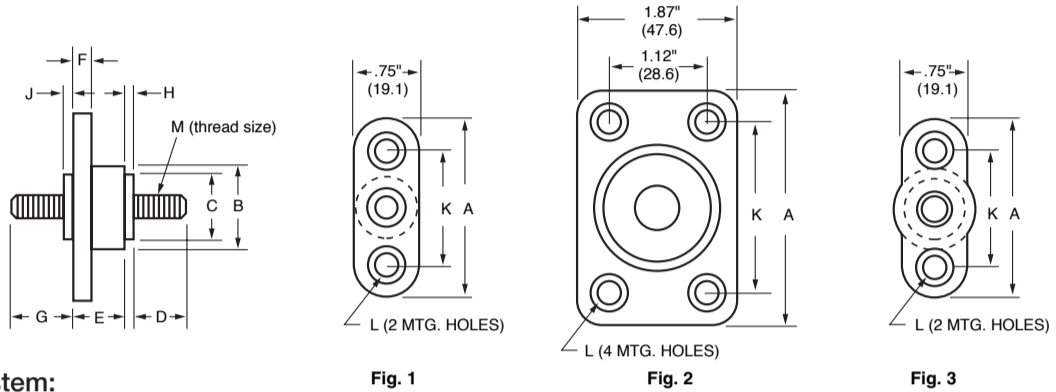
Features:

Modular design for manufacturing flexibility

Threaded-Stud Size	Feed Thru Amperage
#10	50 amps
#1/4 & M6	100 amps
#5/16	200 amps
#3/8	250 amps
#1/2	400 amps



Dimensions: for reference only - consult factory



Part Numbering System:

GEP PP #	Bussmann #	Fig.	A	B	C	D	E	F	G	H	J	K	L	M	Material	Color
SBB-M6A-P		1	2.06 52.3	.69 17.5	.44 11.2	.47 11.9	.69 17.5	.31 7.9	.53 13.5	.06 1.5	.06 1.6	1.31 33.3	.22 dia. w/.41 dia. C'bore x .14 deep	M6	Thermoplastic/ Zinc plated Brass	Black
SBR-M6A-P		1	2.06 52.3	.69 17.5	.44 11.2	.47 11.9	.69 17.5	.31 7.9	.53 13.5	.06 1.5	.06 1.6	1.31 33.3	.22 dia. w/.41 dia. C'bore x .14 deep	M6	Thermoplastic/ Zinc plated Brass	Red
SBB-M6A-S	C7018	1	2.06 52.3	.69 17.5	.44 11.2	.47 11.9	.69 17.5	.31 7.9		.06 1.52		1.31 33.3	.22 dia. w/.41 dia. C'bore x .14 deep	M6	Thermoplastic/ Zinc plated Steel	Black
SBR-M6A-S		1	2.06 52.3	.69 17.5	.44 11.2	.47 11.9	.69 17.5	.31 7.9		.06 1.52		1.31 33.3	.22 dia. w/.41 dia. C'bore x .14 deep	M6	Thermoplastic/ Zinc plated Steel	Red
SBB-14A-P	C2791	1	2.06 52.3	.69 17.5	.44 11.2	0.47 11.9	.69 17.5	.31 7.9	.53 13.5	.06 1.52	.06 1.6	1.31 33.3	.22 dia. w/.41 dia. C'bore x .14 deep	1/4-20	Thermoplastic/ Zinc plated Brass	Black
SBR-14A-P	C2791R	1	2.06 52.3	.69 17.5	.44 11.2	0.47 11.9	.69 17.5	.31 7.9	.53 13.5	.06 1.52	.06 1.6	1.31 33.3	.22 dia. w/.41 dia. C'bore x .14 deep	1/4-20	Thermoplastic/ Zinc plated Brass	Red
SBB-14A-S		1	2.06 52.3	.69 17.5	.44 11.2	.47 11.9	.69 17.5	.31 7.9		.06 1.52		1.31 33.3	.22 dia. w/.41 dia. C'bore x .14 deep	1/4-20	Thermoplastic/ Zinc plated Steel	Black
SBR-14A-S		1	2.06 52.3	.69 17.5	.44 11.2	.47 11.9	.69 17.5	.31 7.9		.06 1.52		1.31 33.3	.22 dia. w/.41 dia. C'bore x .14 deep	1/4-20	Thermoplastic/ Zinc plated Steel	Red
SBB-12C-S	C1933	2	2.73 69.3	1.45 36.8	1.25 31.8	1.5 38.1	1.12 28.4	.37 9.4		.18 4.6		2.0 50.8	.22 dia.	1/2-13	Thermoplastic/ Zinc plated Steel	Black

GEP Power Products • Phone: 262-784-7887 Fax: 262-784-5907 • visit us at: www.geppowerproducts.com

GEP PP #	Bussmann #	Fig.	A	B	C	D	E	F	G	H	J	K	L	M	Material	Color
SBR-12C-S	C1933R	2	2.73 69.3	1.45 36.8	1.25 31.8	1.5 38.1	1.12 28.4	.37 9.4		.18 4.6		2.0 50.8	.22 dia.	1/2-13	thermoplastic/ Zinc plated Steel	Red
SBB-38C-S		2	2.73 69.3	1.45 36.8	1.25 31.8	1.5 38.1	1.12 28.4	.37 9.4		.18 4.6		2.0 50.8	.22 dia.	3/8-16	thermoplastic/ Zinc plated Steel	Black
SBR-38C-S		2	2.73 69.3	1.45 36.8	1.25 31.8	1.5 38.1	1.12 28.4	.37 9.4		.18 4.6		2.0 50.8	.22 dia.	3/8-16	thermoplastic/ Zinc plated Steel	Red
SBB-516C-S	C1933-1	2	2.73 69.3	1.45 36.8	1.25 31.8	1.5 38.1	1.12 28.4	.37 9.4		.18 4.6		2.0 50.8	.22 dia.	5/16-18	thermoplastic/ Zinc plated Steel	Black
SBR-516C-S	C1933-1R	2	2.73 69.3	1.45 36.8	1.25 31.8	1.5 38.1	1.12 28.4	.37 9.4		.18 4.6		2.0 50.8	.22 dia.	5/16-18	thermoplastic/ Zinc plated Steel	Red
SBB-12C-P	C1925	2	2.75 69.9	1.5 38.1	1.25 31.8	1.25 31.8	1.12 28.4	.37 9.4	1.12 28.4	.19 4.8	.19 4.8	2.0 50.8	.22 dia.	1/2-13	thermoplastic/Zinc plated Brass*/Zinc plated Steel**	Black
SBR-12C-P	C1925	2	2.75 69.9	1.5 38.1	1.25 31.8	1.25 31.8	1.12 28.4	.37 9.4	1.12 28.4	.19 4.8	.19 4.8	2.0 50.8	.22 dia.	1/2-13	thermoplastic/Zinc plated Brass*/Zinc plated Steel**	Red
SBB-12C-PT	C1925-1B	2	2.75 69.9	1.5 38.1	1.25 31.8	1.25 31.8	1.12 28.4	.37 9.4	1.12 28.4	.19 4.8	.19 4.8	2.0 50.8	.22 dia.	1/2-13	thermoplastic/Tin plated Brass*/Zinc plated Steel**	Black
SBR-12C-PT	C1925-1	2	2.75 69.9	1.5 38.1	1.25 31.8	1.25 31.8	1.12 28.4	.37 9.4	1.12 28.4	.19 4.8	.19 4.8	2.0 50.8	.22 dia.	1/2-13	thermoplastic/Tin plated Brass*/Zinc plated Steel**	Red
SBB-38C-PT	C1925-2B	2	2.75 69.9	1.5 38.1	1.25 31.8	1.25 31.8	1.12 28.4	.37 9.4	1.12 28.4	.19 4.8	.19 4.8	2.0 50.8	.22 dia.	3/8-16	thermoplastic/Tin plated Brass*/Zinc plated Steel**	Black
SBR-38C-PT	C1925-2	2	2.75 69.9	1.5 38.1	1.25 31.8	1.25 31.8	1.12 28.4	.37 9.4	1.12 28.4	.19 4.8	.19 4.8	2.0 50.8	.22 dia.	3/8-16	thermoplastic/Tin plated Brass*/Zinc plated Steel**	Red
SBB-38B-P	C1938	3	2.06 52.3	0.94 23.9	.69 17.5	0.87 22.1	0.69 17.5	.31 7.9	.93 23.6	.06 1.5	.06 1.5	1.31 33.3	.22 dia. w/.41 dia. C'bore x .14 deep	3/8-16	thermoplastic/Zinc plated Brass*/Zinc plated Steel**	Black
SBR-38B-P	C1938R	3	2.06 52.3	0.94 23.9	.69 17.5	0.87 22.1	0.69 17.5	.31 7.9	.93 23.6	.06 1.5	.06 1.5	1.31 33.3	.22 dia. w/.41 dia. C'bore x .14 deep	3/8-16	thermoplastic/Zinc plated Brass*/Zinc plated Steel**	Red
SBB-516B-PT	C1938-1	3	2.06 52.3	0.94 23.9	.69 17.5	0.87 22.1	0.69 17.5	.31 7.9	.93 23.6	.06 1.5	.06 1.5	1.31 33.3	.22 dia. w/.41 dia. C'bore x .14 deep	5/16-18	thermoplastic/Tin plated Brass*/Zinc plated Steel**	Black
SBR-516B-PT	C1938-1R	3	2.06 52.3	0.94 23.9	.69 17.5	0.87 22.1	0.69 17.5	.31 7.9	.93 23.6	.06 1.5	.06 1.5	1.31 33.3	.22 dia. w/.41 dia. C'bore x .14 deep	5/16-18	thermoplastic/Tin plated Brass*/Zinc plated Steel**	Red
SBB-10A-P	C2909	1	2.06 52.3	.69 17.5	.44 11.2	.62 15.7	1 25.4	.31 7.9	.68 17.3	.06 1.5	.06 1.5	1.31 33.3	.22 dia. w/.41 dia. C'bore x .14 deep	10-32	thermoplastic/ Zinc plated Brass	Black or Red
SBB-14A-P-1	C2909-1	1	2.06 52.3	.69 17.5	.44 11.2	.62 15.7	1 25.4	.31 7.9	.68 17.3	.06 1.5	.06 1.5	1.31 33.3	.22 dia. w/.41 dia. C'bore x .14 deep	1/4-20	thermoplastic/ Zinc plated Brass	Black or Red
SBB-38B-P1	C4044	3	2.06 52.3	.87 22.1	.62 15.7	.63 16.0	1.12 28.4	.31 7.9	.69 17.5	.06 1.5	.06 1.5	1.31 33.3	.22 dia. w/.41 dia. C'bore x .14 deep	3/8-16	thermoplastic/Zinc plated Brass*/Zinc plated Steel**	Black or Red
SBR-38B-P1	C4044-1R	3	2.06 52.3	.87 22.1	.62 15.7	.63 16.0	1.12 28.4	.31 7.9	.69 17.5	.06 1.5	.06 1.5	1.31 33.3	.22 dia. w/.41 dia. C'bore x .14 deep	3/8-16	thermoplastic/Zinc plated Brass*/Zinc plated Steel**	Red
SBB-38B-PT	C4044-1	3	2.06 52.3	.87 22.1	.62 15.7	.63 16.0	1.12 28.4	.31 7.9	.69 17.5	.06 1.5	.06 1.5	1.31 33.3	.22 dia. w/.41 dia. C'bore x .14 deep	3/8-16	thermoplastic/Tin plated Brass*/Zinc plated Steel**	Black or Red
SBR-38B-PT	C4044-1	3	2.06 52.3	.87 22.1	.62 15.7	.63 16.0	1.12 28.4	.31 7.9	.69 17.5	.06 1.5	.06 1.5	1.31 33.3	.22 dia. w/.41 dia. C'bore x .14 deep	3/8-16	thermoplastic/Tin plated Brass*/Zinc plated Steel**	Red
SBB-12B-S	C6344-2	3	2.06 52.3	.87 22.1	.62 15.7	.62 15.7	1.12 28.4	.31 7.9		.06 1.5		1.31 33.3	.22 dia. w/.41 dia. C'bore x .14 deep	3/8-16	thermoplastic/ Zinc plated Steel	Black or Red
SBB-38B-P2	C7020	3	2.06 52.3	.94 23.9	.69 17.5	0.87 22.1	0.69 17.5	.31 7.9	1.25 31.8	.06 1.5	.06 1.5	1.31 33.3	.22 dia. w/.41 dia. C'bore x .14 deep	3/8-16	thermoplastic/Zinc plated Brass*/Zinc plated Steel**	Black or Red
SBR-38B-P2	C7020	3	2.06 52.3	.94 23.9	.69 17.5	0.87 22.1	0.69 17.5	.31 7.9	1.25 31.8	.06 1.5	.06 1.5	1.31 33.3	.22 dia. w/.41 dia. C'bore x .14 deep	3/8-16	thermoplastic/Zinc plated Brass*/Zinc plated Steel**	Red
SBB-38B-S	JB3816-2	3	2.12 53.8	.98 24.9	.62 15.7	0.87 22.1	0.69 17.5	.31 7.9		.06 1.5		1.37 34.8	.22 dia. w/.41 dia. C'bore x .14 deep	3/8-16	thermoplastic/ Zinc plated Steel	Black
SBR-38B-S	JB3816-3	3	2.12 53.8	.98 24.9	.62 15.7	0.87 22.1	0.69 17.5	.31 7.9		.06 1.5		1.37 34.8	.22 dia. w/.41 dia. C'bore x .14 deep	3/8-16	thermoplastic/ Zinc plated Steel	Red

* Conductive core ** Stud Options - Nuts & washers; Consult factory