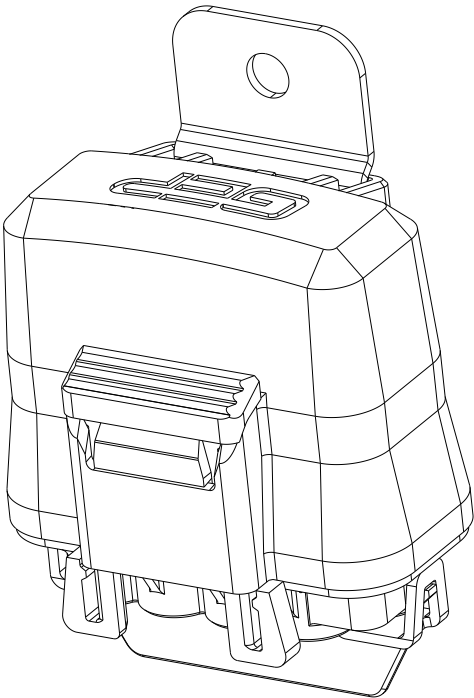


REV	REVISION DETAILS	ECO	DATE	BY	ABY
0	INITIAL RELEASE	NP-002993	10-27-2020	JWK	JJW



ISO VIEW
FOR REF ONLY

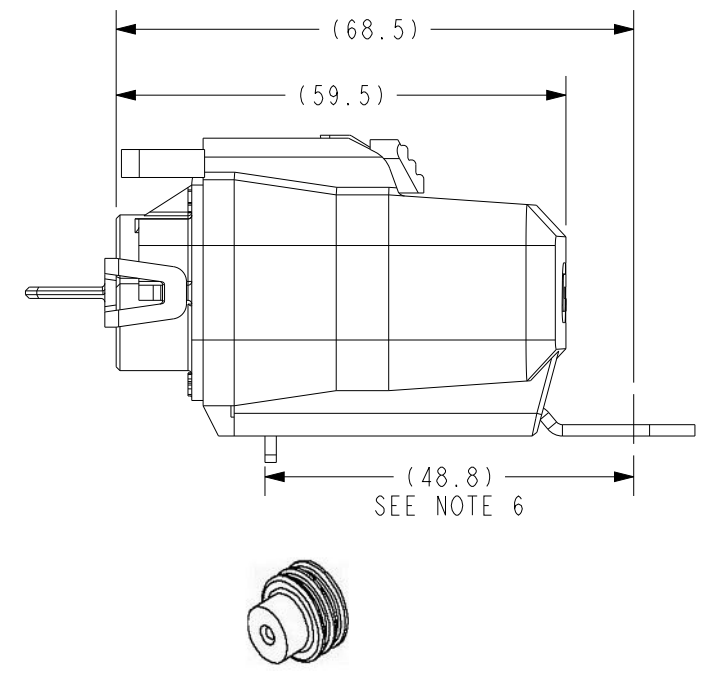
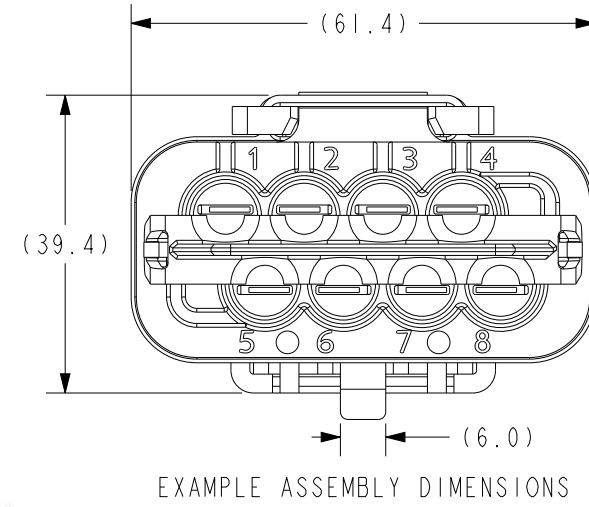
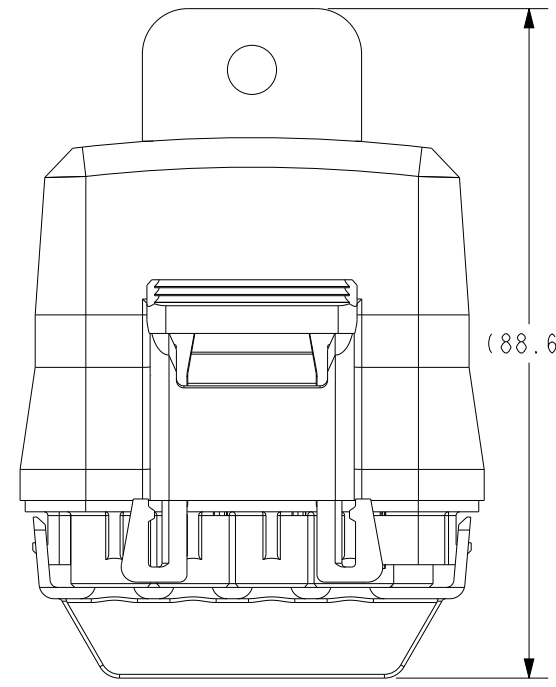
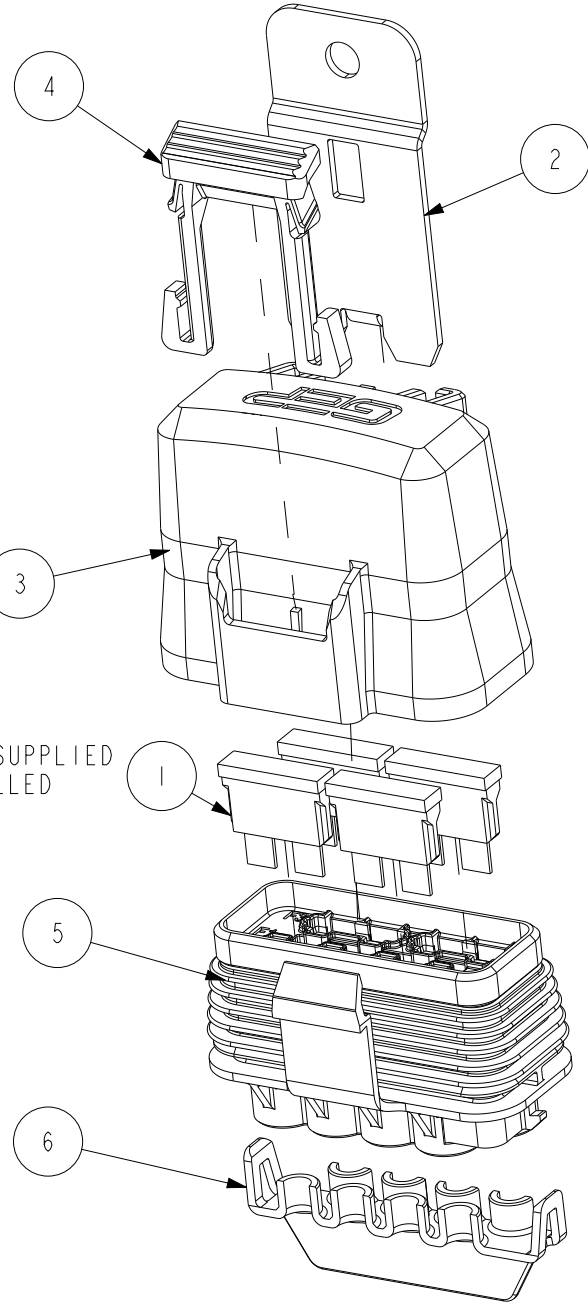
CONFIDENTIAL

The information contained in this document is the property of GEP Power Products. It is not for public disclosure. Possession of the information does not convey any right to loan, sell or disclose the information. Unauthorized reproduction or use of the information is prohibited. This document is to be returned to GEP Power Products upon completion of the purpose for which it is loaned or upon request.

CRITICAL DIMENSIONS ON FEATURES TO BE CHECKED DURING ANY SET-UP ADJUSTMENTS, TOOL CHANGES, OR ANNUAL MAINTENANCE ON TOOLING.	DIMENSIONS OR FEATURES TO BE CHECKED FROM RUN-TO-RUN
TOLERANCES UNLESS OTHERWISE SPECIFIED	
THIRD ANGLE PROJECTION 	
METRIC TOL	ENGLISH TOL
1 PL DEC. = ±.25 2 PL DEC. = ±.13	2 PL DEC. = ±.01 3 PL DEC. = ±.005
ANGULAR TOL = ±2° FRACTION TOL = ±1/64 IN	
DIMENSIONS INSIDE PARENTHESES OR CONTAINING "REF" ARE FOR REFERENCE ONLY.	

COPYRIGHT - GEP POWER PRODUCTS
This is unpublished work. The disclosure of this work is limited to a select personnel. Further dissemination or disclosure to the public is PROHIBITED. This unpublished work is protected by Federal Copyright law and all rights thereunder are reserved by GEP Power Products.

		16830 Pheasant Drive Brookfield, WI 53005		
PART NO:		FRH - 4-WAY ATC FAMILY (SALES)		
DESCRIPTION:		FRH - 4-WAY ATC FAMILY		
CUSTOMER:		STANDARD		
METRIC (MM)	REV	SHEET	SCALE	SIZE
	0	1 OF 5	1:1	B



EXAMPLE ASSEMBLY DIMENSIONS

CUSTOMER SUPPLIED AND INSTALLED

EXAMPLE ASSEMBLY SCALE 1:1.25

PART #	RANGE (MM ²)	MATERIAL	PLATING
15317331	4.00-6.00	TIN BRASS	TIN
12052456	3.00-5.00	TIN BRASS	TIN
12052455	1.00-2.00	TIN BRASS	TIN
12052457	0.50-0.80	TIN BRASS	TIN
15317332	4.00-6.00	BERYLLIUM COPPER	SILVER/NICKEL
15305232	3.00-5.00	BERYLLIUM COPPER	SILVER/NICKEL

PART # REEL	PART # LOOSE	CABLE DIAMETER	MATERIAL	COLOR
15344644	15363779	1.20-2.00	SILICONE	YELLOW
12052931	12052930	1.60-2.15	SILICONE	YELLOW
	15327998	2.00-2.70	SILICONE	BLUE
12048433	15324988	2.00-2.90	SILICONE	WHITE
15344645	15363604	2.00-2.90	SILICONE	WHITE
12052452	15324989	2.80-3.90	SILICONE	DK. RED
15337204	15327864	2.80-3.80	SILICONE	DK. RED
15344646	15363605	3.60-4.50	SILICONE	GREEN
10733034	10733145	4.40-5.10	SILICONE	GRAY
15344104	15344647	4.40-5.10	SILICONE	GRAY
	12066082	PLUG	SILICONE	LT. GREEN

PART NUMBER	CURRENT RATING (A)	HOUSING MATERIAL COLOR
0287001	1	BLACK
0287002	2	GRAY
0287003	3	PURPLE
0287004	4	PINK
0287005	5	TAN
028707.5	7.5	BROWN
0287010	10	RED
0287015	15	BLUE
0287020	20	YELLOW
0287025	25	NATURAL
0287030	30	LT. GREEN
0287035	35	BLUE-GREEN
0287040	40	ORANGE

ITEM	DESCRIPTION	PART NO.	QTY
1	ATC FUSE *CUSTOMER SUPPLIED AND INSTALLED*	SEE TABLE	4
2	BRACKET - PDM, FRH, FLAT WITH ANTI-ROTATION, ZINC STEEL	FRH-A12-MB-A1	1
3	COVER - PDM, FRH, 12 POS, GEP	FRH-A12-C	1
4	CPA - PDM, FRH	FRH-A-CPA	1
5	HOUSING AND SEAL - PDM, FRH, 4-WAY ATC	SC42-2013A-A001	1
6	TPA - PDM, FRH, 4-WAY ATC	SC38-2008A-B003	1

GEP POWER PRODUCTS 16830 Pheasant Drive Brookfield, WI 53005

PART NO: FRH - 4-WAY ATC FAMILY (SALES)

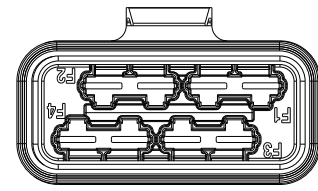
DESCRIPTION: FRH - 4-WAY ATC FAMILY

CUSTOMER: STANDARD

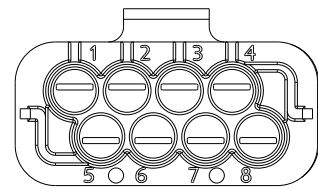
METRIC (MM)	REV 0	SHEET 2 OF 5	SCALE 1:1	SIZE B
-------------	-------	--------------	-----------	--------

HOUSING AND SEAL

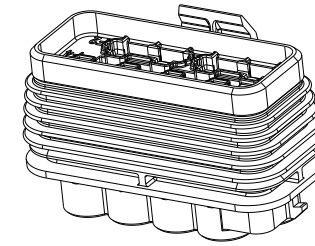
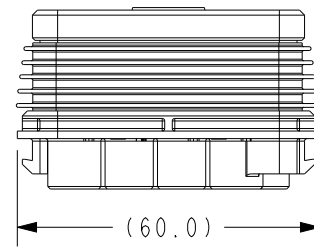
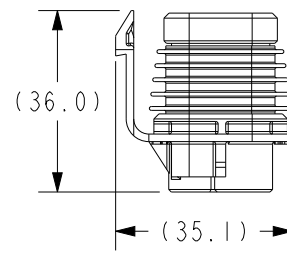
FRH-A12
HOUSING AND SEAL - PDM, FRH 12 POS



FUSE ID

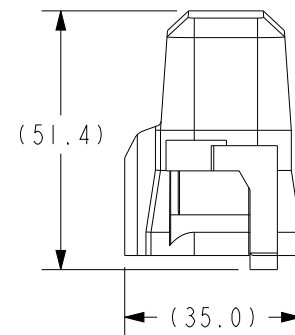
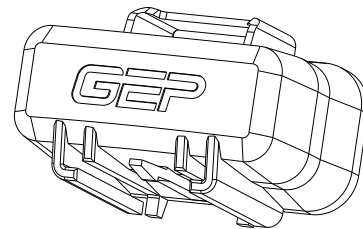
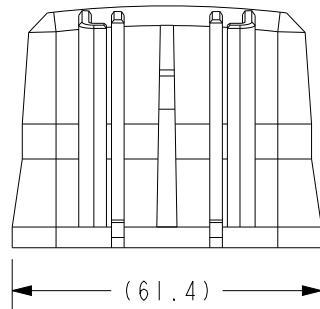
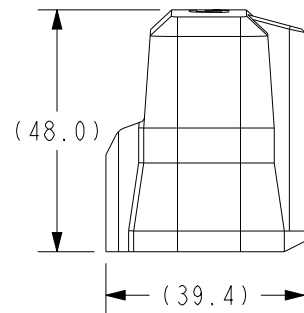


CAVITY ID

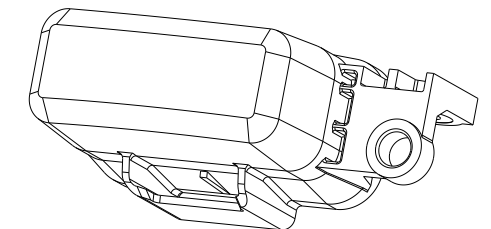
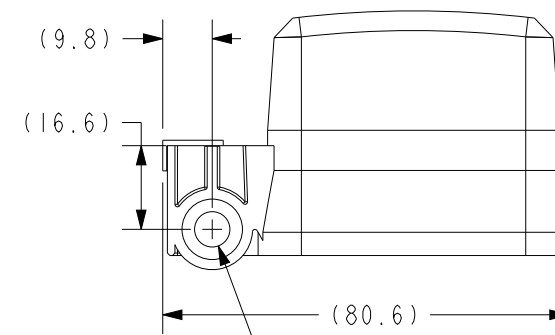


COVER OPTIONS

FRH-A12-C
COVER - PDM, FRH, 12 POS, GEP

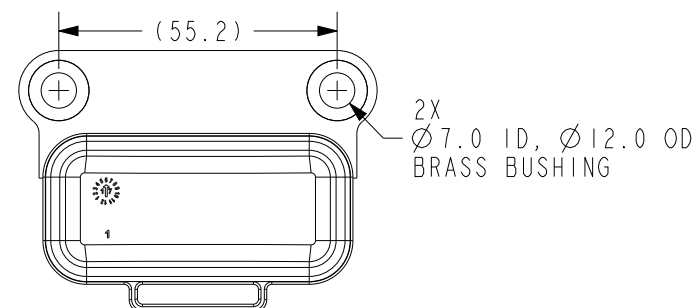
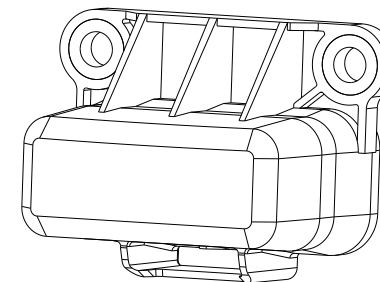
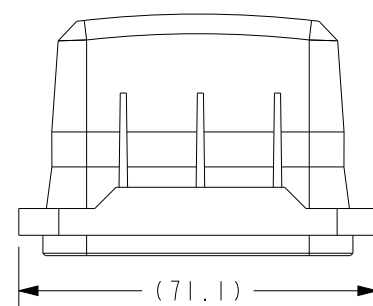
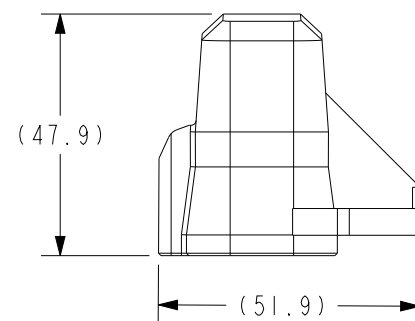


FRH-A12-CB-1
COVER - PDM, FRH 12 POS, SINGLE SIDE MOUNT, PLAIN



Ø7.0 ID, Ø12.0 OD
BRASS BUSHING

FRH-A12-CD-1
COVER - PDM, FRH 12 POS, DOUBLE SIDE MOUNT, PLAIN



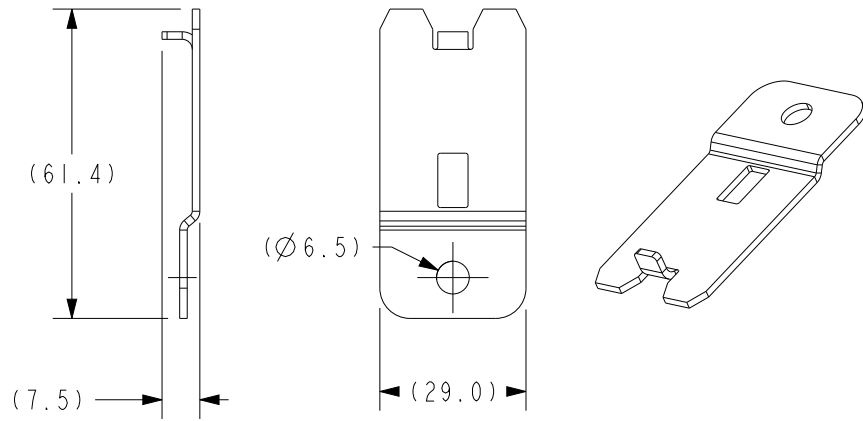
NOTES:

1. BASE & COVER MATERIAL: UNFILLED PBT
2. TPA MATERIAL: UNFILLED NYLON
3. BRACKET MATERIAL: ZINC PLATED STEEL OR STAINLESS STEEL
4. DESIGNED TO USE DELPHI 630 METRI-PACK TERMINALS, 480 SEALS, AND LITTELFUSE ATO FUSES. SEE TABLES ON SHEET 2 (TABLES ARE FOR REFERENCE ONLY)
5. PICK BRACKET OPTION TO MOUNT ASSEMBLY
6. MOUNTING HOLE TO ANTI-ROTATION TAB DIM.

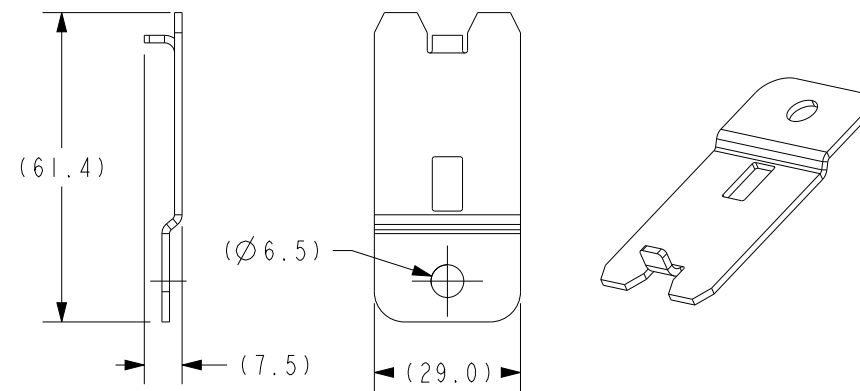
GEP POWER PRODUCTS		16830 Pheasant Drive Brookfield, WI 53005		
PART NO:	FRH - 4-WAY ATC FAMILY (SALES)			
DESCRIPTION:	FRH - 4-WAY ATC FAMILY			
CUSTOMER:	STANDARD			
METRIC (MM)	REV 0	SHEET 3 OF 5	SCALE 1:1.5	SIZE B

FRH 4-WAY - ACCESSORY OPTIONS

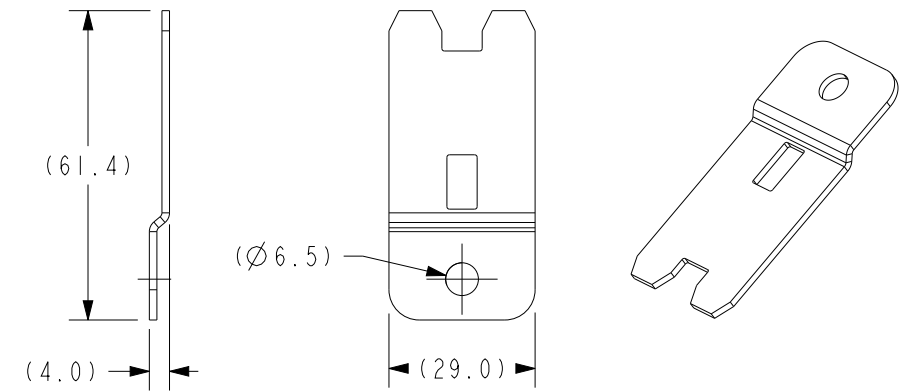
FRH-A12-MB-A1
BRACKET - PDM,FRH,FLAT WITH ANTI-ROTATION, ZINC STEEL



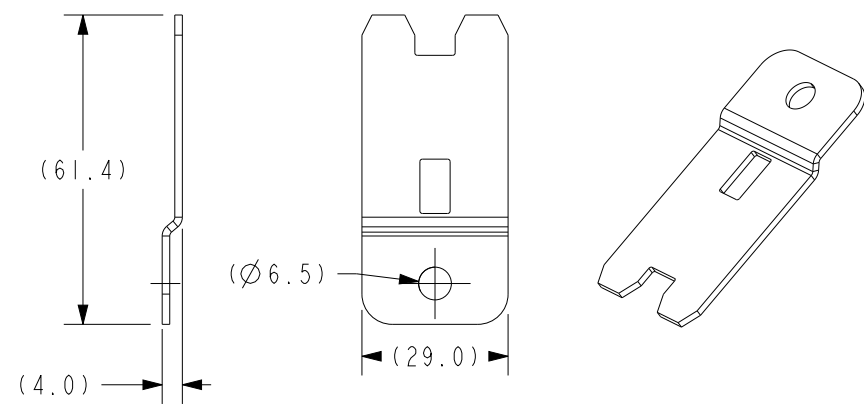
FRH-A12-MB-A2
BRACKET - PDM, FRH, FLAT WITH ANTI-ROTATION, STAINLESS 304



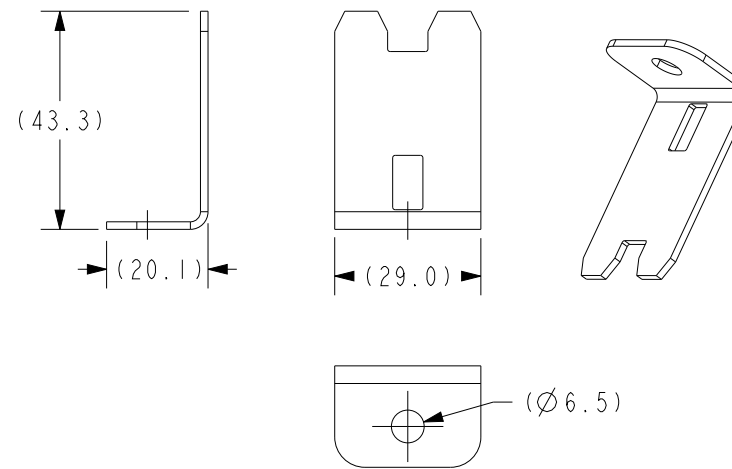
FRH-A12-MB-B1
BRACKET - PDM, FRH, FLAT WITHOUT ANTI-ROTATION, ZINC STEEL



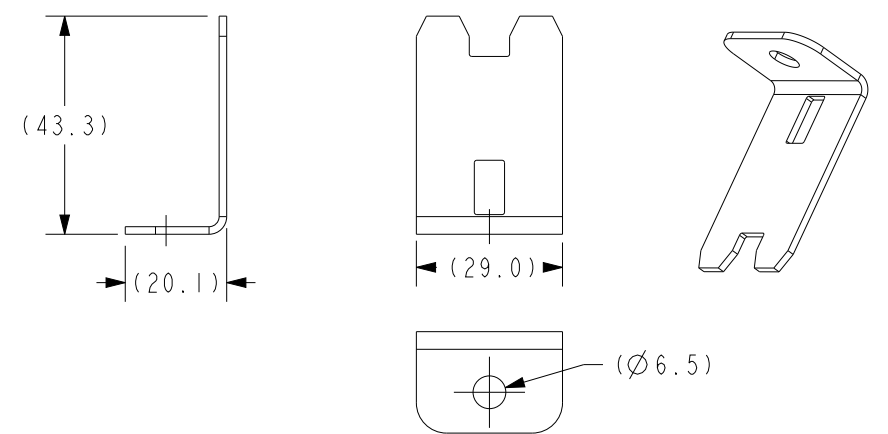
FRH-A12-MB-B2
BRACKET - PDM, FRH, FLAT WITHOUT ANTI-ROTATION, STAINLESS 304



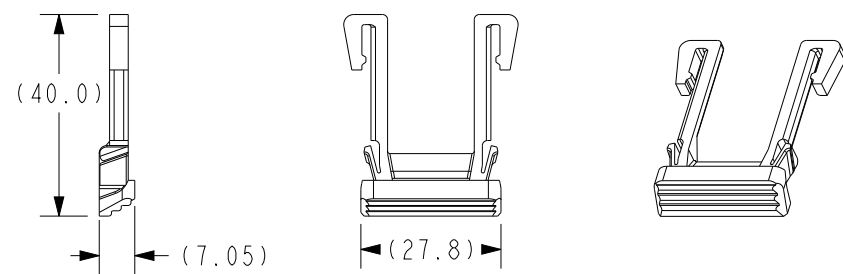
FRH-A12-MB-C1
BRACKET - PDM, FRH, 90° BENT, ZINC STEEL



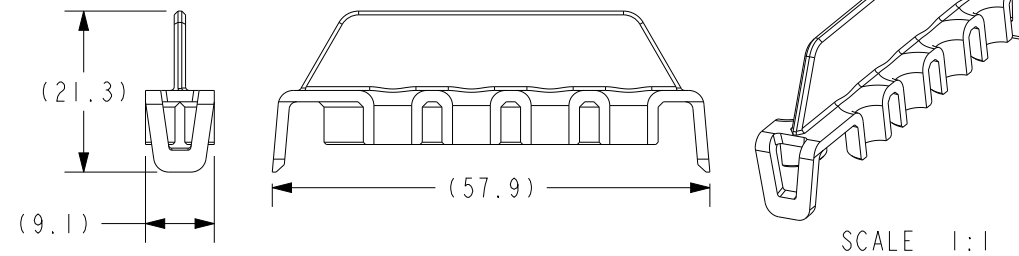
FRH-A12-MB-C2
BRACKET - PDM, FRH, 90° BENT, STAINLESS 304



FRH-A-CPA
CPA - PDM, FRH

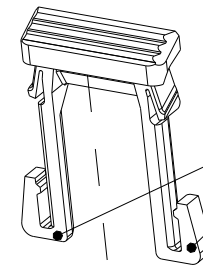


SC38-2008A-B003
TPA - PDM, FRH, 4-WAY ATC

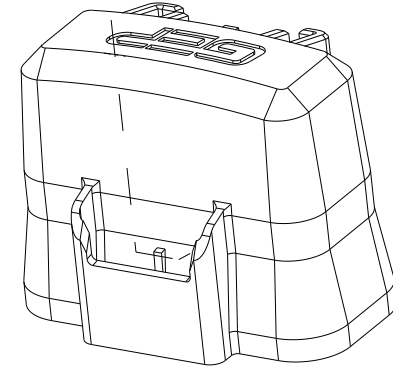


GEP POWER PRODUCTS		16830 Pheasant Drive Brookfield, WI 53005		
PART NO:	FRH - 4-WAY ATC FAMILY (SALES)			
DESCRIPTION:	FRH - 4-WAY ATC FAMILY			
CUSTOMER:	STANDARD			
METRIC (MM)	REV 0	SHEET 4 OF 5	SCALE 1:1.5	SIZE B

CPA INSTRUCTIONS

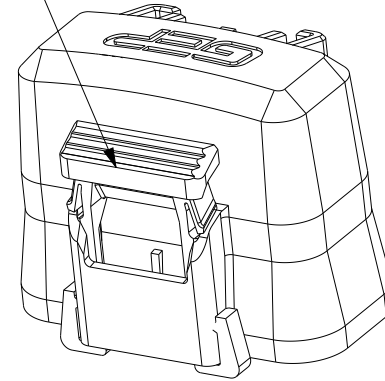


1. PINCH CPA LEGS TOGETHER AND INSERT INTO COVER



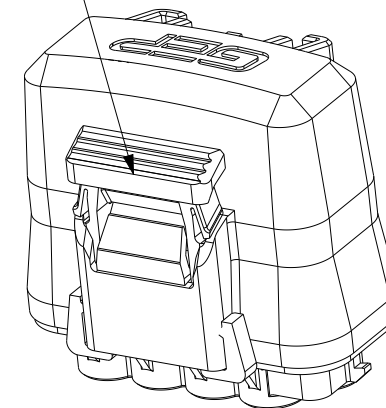
CPA INSTALLATION INTO COVER

LIFT CPA TO UNLOCKED POSITION PRIOR TO ASSEMBLING TO OR REMOVING FROM HOUSING



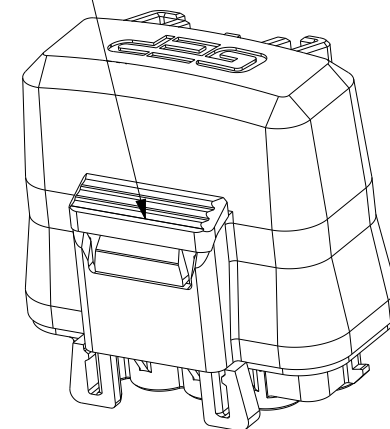
CPA UNLOCKED

2. ASSEMBLE COVER WITH CPA ONTO HOUSING IN UNLOCKED POSITION.



ASSEMBLY TO HOUSING WITH CPA UNLOCKED

3. PUSH CPA DOWN TO LOCK



CPA LOCKED

GEP POWER PRODUCTS		16830 Pheasant Drive Brookfield, WI 53005		
PART NO:	FRH - 4-WAY ATC FAMILY (SALES)			
DESCRIPTION:	FRH - 4-WAY ATC FAMILY			
CUSTOMER:	STANDARD			
METRIC (MM)	REV 0	SHEET 5 OF 5	SCALE 1:1.25	SIZE B