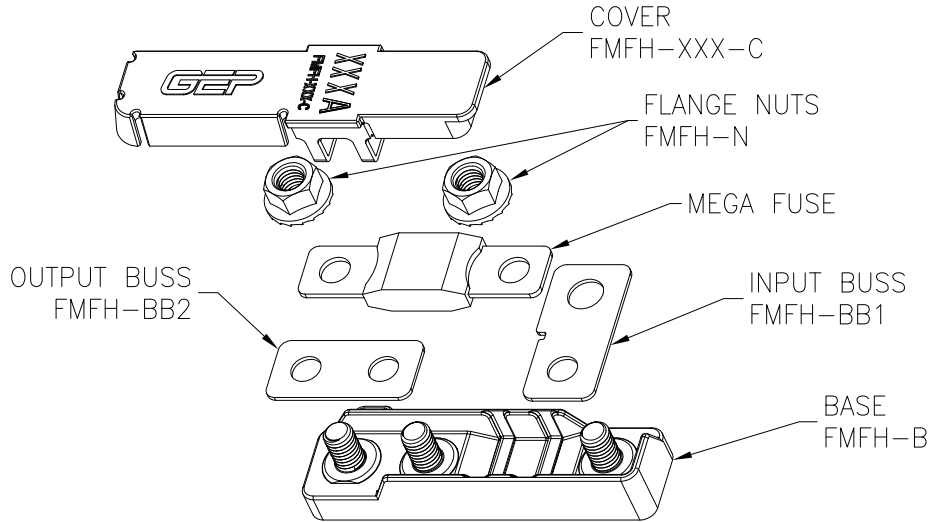


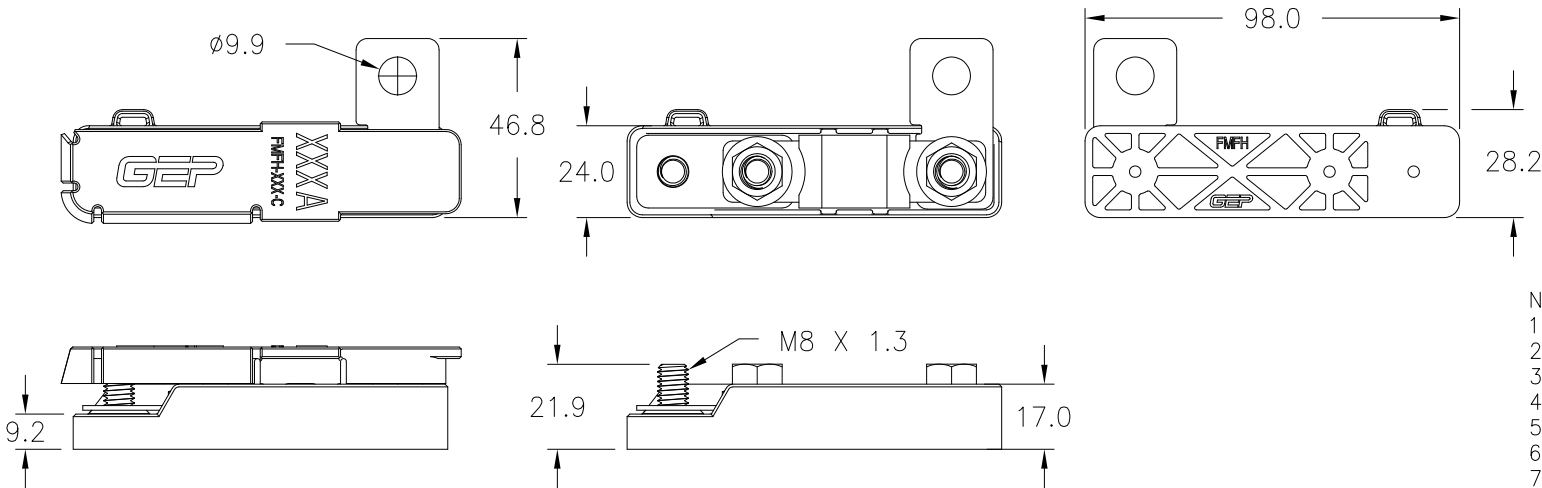
# FMFH-XXX-A

## FUSE RATING



- 000-NO FUSE
- 040-40 AMP
- 060-60 AMP
- 080-80 AMP
- 100-100 AMP
- 125-125 AMP
- 150-150 AMP
- 175-175 AMP
- 200-200 AMP
- 225-225 AMP
- 250-250 AMP
- 300-300 AMP
- 350-350 AMP
- 400-400 AMP
- 450-450 AMP
- 500-500 AMP

PART NO. FMFH-XXX-A (SALES)				
TITLE MEGA FUSE HOLDER				
CUSTOMER STANDARD				
METRIC (MM)				SCALE 1:2
REV #	REVISION	DATE	BY	APPROVE
0	INITIAL RELEASE	02-21 2011		
1	UPDATED NEW FORMAT	08-08 2012	RRR	KS
2	UPDATE BASE FMFH-B	05-19 2013	RR	KS



### NOTES:

1. BASE MATERIAL: 40% GLASS FILLED PPS
2. BASE COLOR: BLACK
3. COVER MATERIAL: PVC
4. COVER COLOR: RED
5. STUD MATERIAL: STAINLESS STEEL
6. NUT MATERIAL: STAINLESS STEEL
7. BUSS MATERIAL: TIN PLATED COPPER
8. STUD TORQUE: 15 Nm MAX



16830 Pheasant Drive  
Brookfield, WI 53005

**CONFIDENTIAL** — The information contained in this document is the property of GEP Power Products. It is not for public disclosure. Possession of the information does not convey any right to loan, sell or disclose the information. Unauthorized reproduction or use of the information is prohibited. This document is to be returned to GEP Power Products upon completion of the purpose for which it is loaned or upon request.

**COPYRIGHT** — GEP Power Products  
This is an unpublished work. The disclosure of this work is limited to a select personnel. Further dissemination or disclosure to the public is PROHIBITED. This unpublished work is protected by Federal Copyright law and all rights thereunder are reserved by GEP Power Products.

TOLERANCES UNLESS OTHERWISE SPECIFIED	
METRIC TOL	ENGLISH TOL
1 PL DEC.=±.25	2 PL DEC.=±.01
2 PL DEC.=±.13	3 PL DEC.=±.005

THIRD ANGLE PROJECTION
ANGULAR TOL= ±2°
FRACTION TOL= ± 1/64 IN