

● Features

- 1 Form A & 1 Form contact arrangement
- 2.8mm QC terminals available
- Ambient temperature range: -40°C to 125°C
- Environmental friendly product (RoHS compliant)
- Dimension: 22.5 x 15.0 x 25.2 mm



● Application

- Headlight Control / Fuel Pump Control / Horn control / A/C Compressor Clutch, etc.

● Contact Data

| | | |
|------------------------|---------------------|--------------------------------|
| Contact Arrangement | 1A | 1C |
| Contact Material | Ag Alloy | |
| Contact Rating | 35A 14VDC | NO: 35A 14VDC NC: 20A 14VDC |
| Max. Switching Power | 490W | |
| Max. Switching Current | 35A | |
| Voltage Drop (initial) | Typ.: 40mV (at 10A) | |
| Contact Resistance | ≤100mΩ | |
| Electrical Endurance | 1x10 ⁵ | |
| Mechanical Endurance | 1x10 ⁷ | |

● Coil Parameter (at 23°C)

| Coil Voltage (VDC) | | Coil Resistance (Ω±10%) at 23°C | | Pickup Voltage (max) (VDC) | Release Voltage (min) (VDC) | Coil Power Consumption (W) | |
|--------------------|------|---------------------------------|------------------|----------------------------|-----------------------------|----------------------------|------------------|
| Rated | Max. | without resistor | with R1 resistor | | | without resistor | with R1 resistor |
| 12 | 18 | 110 | 680 | 8.4 | 1.2 | approx. | approx. |
| 24 | 36 | 440 | 2700 | 16.8 | 2.4 | 1.3 | 1.5 |

● Operation Condition

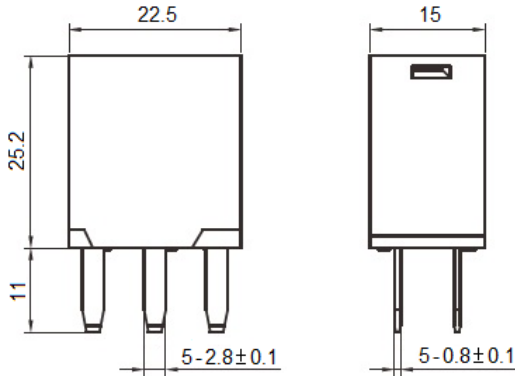
| | | |
|-----------------------|--------------------------|--------------------------------|
| Insulation Resistance | | 100MΩ min (at 500VDC) |
| Dielectric Strength | Between Contacts | 500VAC, 50Hz/60Hz 1 min. |
| | Between Contact and Coil | 500VAC, 50Hz/60Hz 1 min. |
| Shock Resistance | Operating Extremes | 10G Min. |
| | Damage Limits | 100G Min. |
| Vibration Resistance | | 10~55Hz double amplitude 1.5mm |
| Ambient Temperature | | -40~125°C (no freezing) |
| Operate Time | | ≤10ms |
| Release Time | | ≤10ms |
| Weight | | Approx. 19.6g |

● Ordering Information

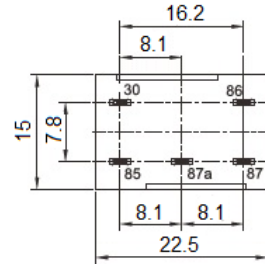
| | AJ | -12D | R | -A | -S | (XXX) |
|-----------------------------|---|-----------------------------------|---|----|----|-------|
| Model | | | | | | |
| Coil Voltage | 12: 12VDC | 24: 24VDC | | | | |
| Paralleled Component | Nil: Standard | | | | | |
| | R: with resistor(680Ω 12V) (2700Ω 24V) | | | | | |
| | D1: with diode(the diode anode on #85 terminal) | | | | | |
| | D2: with diode(the diode anode on #86 terminal) | | | | | |
| Contact Arrangement | A: 1 Form A | C: 1 Form C | | | | |
| Construction | Nil: Flux tight | S: Sealed | | | | |
| Special Code | Nil: Standard | XXX: Customer special requirement | | | | |

● Dimensions (UNIT: mm)

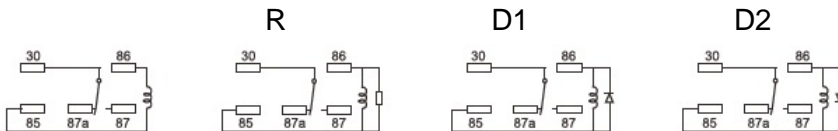
Outline Dimensions



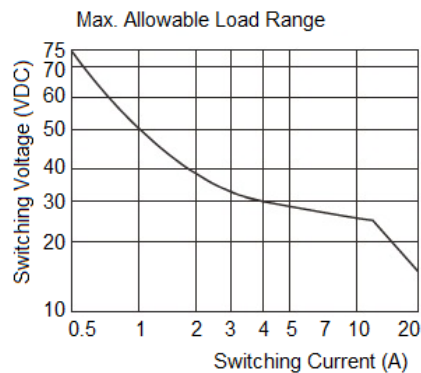
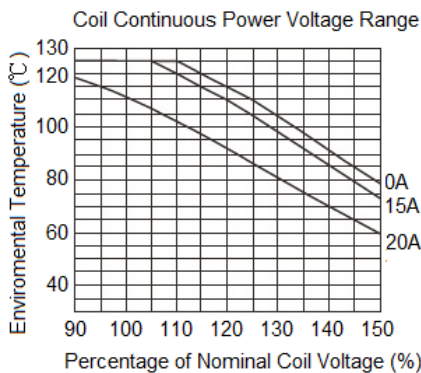
Mounting (Bottom views)



Wiring Diagram (Bottom views)



● Engineering Data



Remark: 1) In case of no tolerance shown in outline dimension: outline dimension $\leq 1\text{mm}$, tolerance should be $\pm 0.2\text{mm}$; outline dimension $> 1\text{mm}$ and $\leq 5\text{mm}$, tolerance should be $\pm 0.3\text{mm}$; outline dimension $> 5\text{mm}$, tolerance should be $\pm 0.4\text{mm}$.

2) The tolerance without indicating for PCB layout is always $\pm 0.1\text{mm}$.



Disclaimer

The specification is for reference only. See to "Terminology and Guidelines" for more information. Specifications subject to change without notice. We could not evaluate all the performance and all the parameters for every possible application. Thus the user should be in a right position to choose the suitable product for their own application. If there is any query, please contact IOEC for the technical service. However, it is the user's responsibility to determine which product should be used only.

In & Out Electronic Corporation. All rights of IOEC are reserved.