

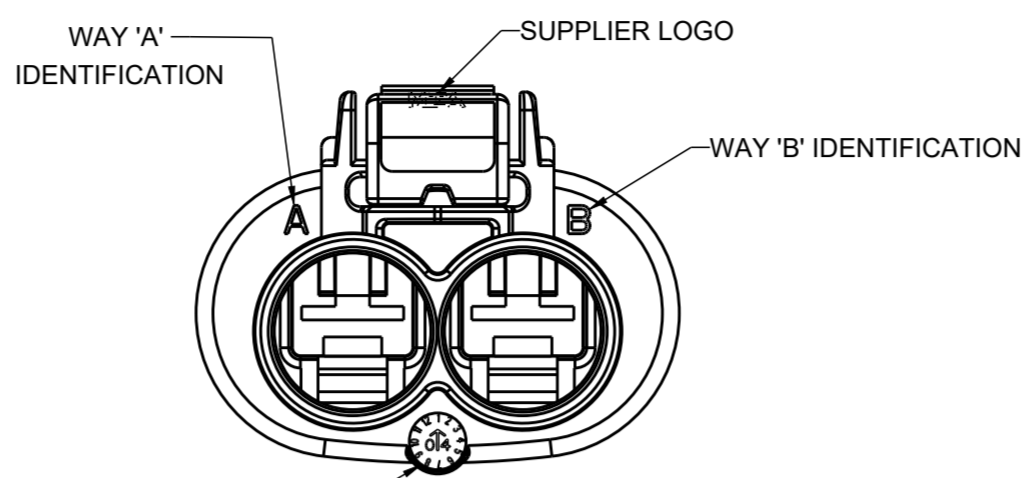
SPECIAL CHARACTERISTICS (IO 515)				
REPORT	SC	AREA	CRITICAL	VALUE
No.				
01	-	-		-

MTA P/N	DENOMINATION	COLOUR
4550784/0x	CAVITY PLUG	NATURAL
4550782/0x	SEAL G800 FOR CABLES Ø 5-6.5	RED
4550781/0x	SEAL G800 FOR CABLES Ø 3.4-4.9	BLUE
4550780/0x	SEAL G800 FOR CABLES Ø 1.9-3.3	GREEN
1707420	FEMALE TERMINAL 8mm SECT 7 - 10 ( CuNi )	-
1707410	FEMALE TERMINAL 8mm SECT 3 - 6 ( CuZn )	-
1707400	FEMALE TERMINAL 8mm SECT 1.5 - 2.5 ( CuZn )	-

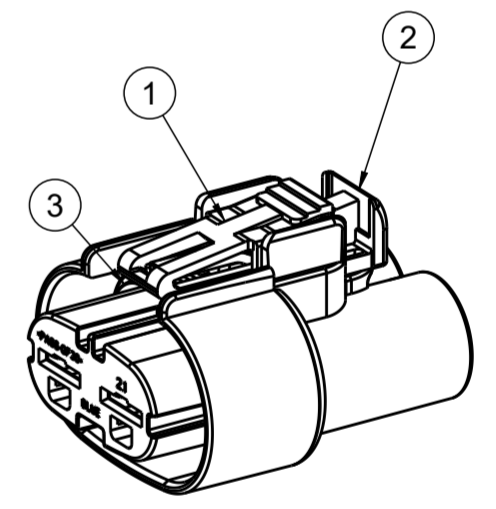
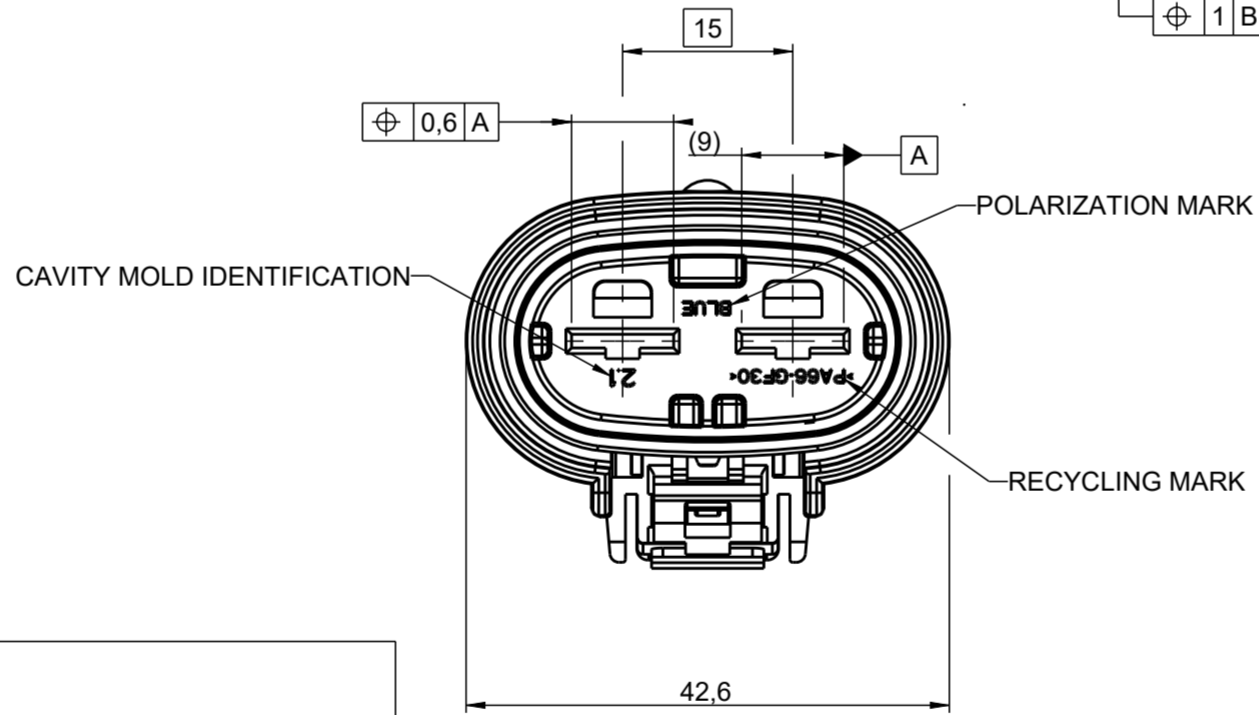
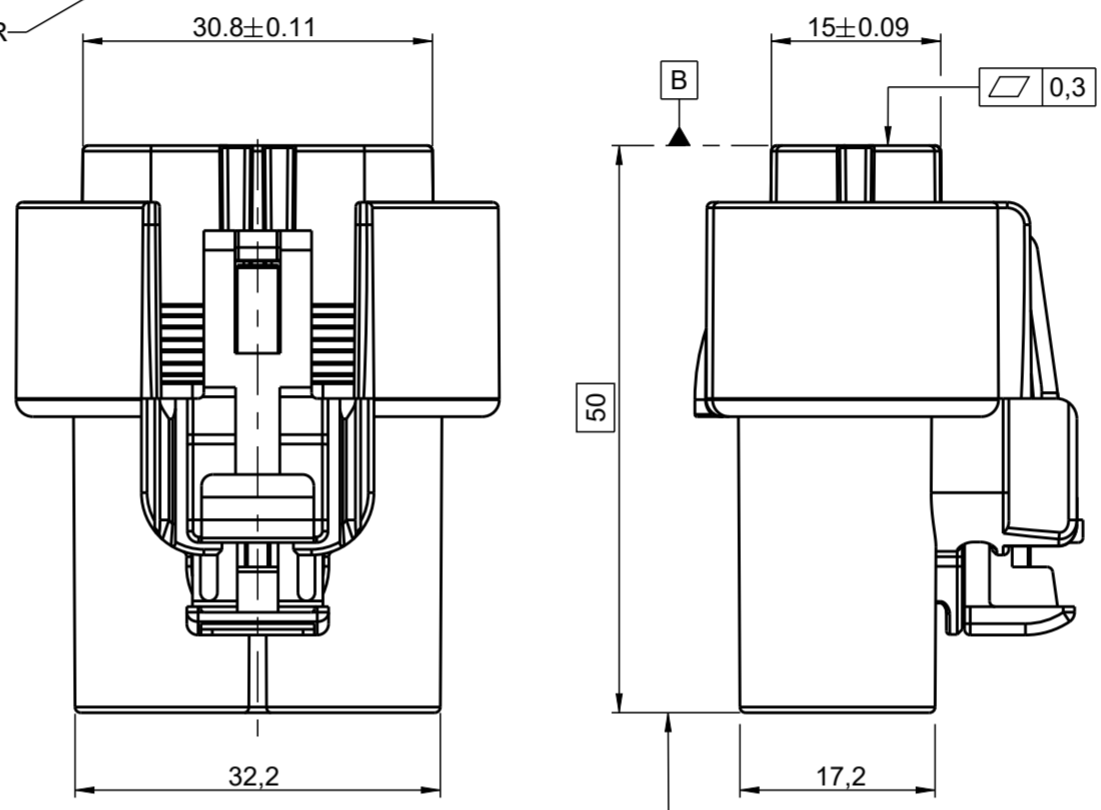
1 ASSOCIATED TABLE REFERENCE

OPERATING FEATURES		
FEATURE	UNIT	VALUE
IP	IEC 529	67
V max	V	32
T.min - T.max	°C	-40 / +125
FLAMMABILITY	UL 94	HB

LOAD		
	INSERTION (N)	DISCONNECTION (N)
FEMALE TERMINAL	30 MAX	100 MIN
COUPLING CLIPS HOLDER/TABS HOLDER	75 MAX	100 MIN

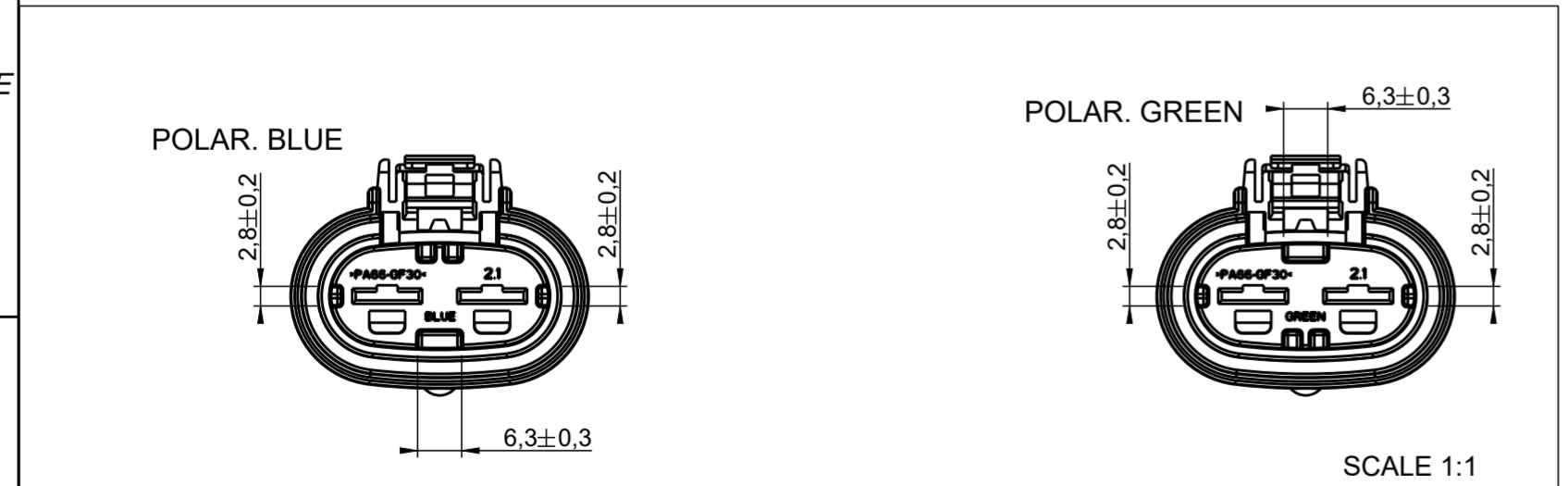


DATE INDICATOR MONTH/YEAR



PERSPECTIVE VIEW SCALE 1:1

**UNCONTROLLED COPY**  
in case of drawing updating/revision  
NO AUTOMATIC  
resubmission will follow



SCALE 1:1

GREEN	GREY	4540113	HSG-FEMALE WP IN LINE 2WAY GREY	4540211	B0-148.E15B
BLUE	BLACK	4540112	HSG-FEMALE WP IN LINE 2WAY BLACK	4540210 4540212	B0-148.E15A
GREEN	GREEN	4540111/1x	HSG-FEMALE WP IN LINE 2WAY GREEN	4540211	B0-148.E15B
BLUE	BLUE	4540110/1x	HSG-FEMALE WP IN LINE 2WAY BLUE	4540210 4540212	B0-148.E15A
POLARIZATION	COLOUR	MTA P/N	DENOMINATION	USED FOR MTA P/N	TEMPLATE DRAW No.

3	1	GASKET	SILICONE	YELLOW
2	1	CPA	PA 66-GF 30 ( ISO 1043 )	YELLOW
1	1	HSG-FEMALE WP IN LINE 2WAY	PA 66-GF 30 ( ISO 1043 )	SEE TABLE

POS.	Q.TY	DENOMINATION	MATERIAL	COLOUR
		<b>MTA</b>	MTA P/N 4540110/1x	Denom. CONNECTOR PW FH WP INLINE BLUE 2WAY
			Draw No. B0-015.018A	Used for -
			Draw for CUSTOMER	Material SEE TAB.
Draft	06.02.06	P.MANGINI	Scale	CAD MODEL Weight(g) Lin.Tol.± Ang.Tol.± Coating -
Verif.	22.03.19	A.CROTTI	3:2	20,5 0,5 2° Coating SEE TAB.
PQApp	22.03.19	M.ALBERTOCCHI	A2	Dimensions in (mm) Sheet 1/1 Note
App.	26.03.19	G.SPATARO	CAD Software PTC Creo	

REV. 2 All proprietary rights reserved by MTA S.p.A. - This drawing shall not be reproduced, or in any way utilized, for the manufacture of the component or unit herein illustrated and must not be released to other parties, without written consent. Any infringement will be legally pursued.