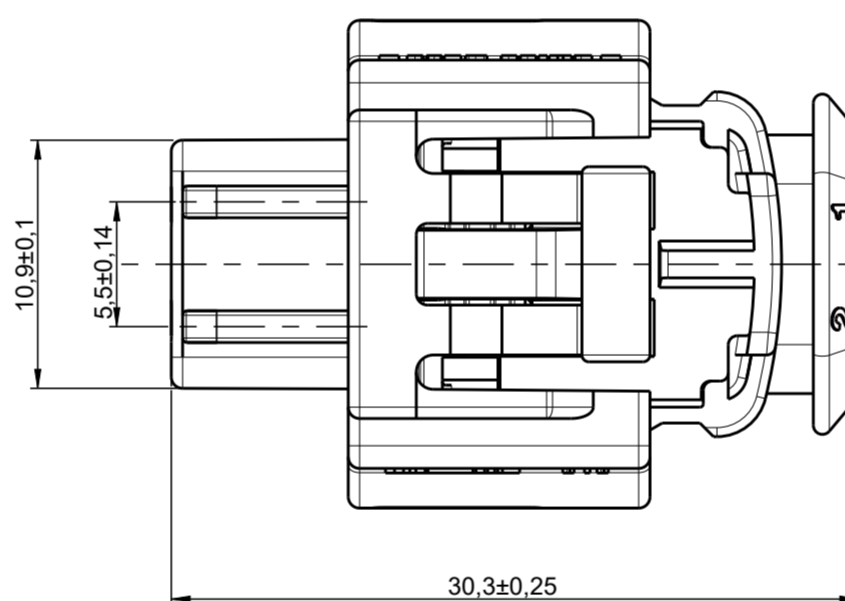
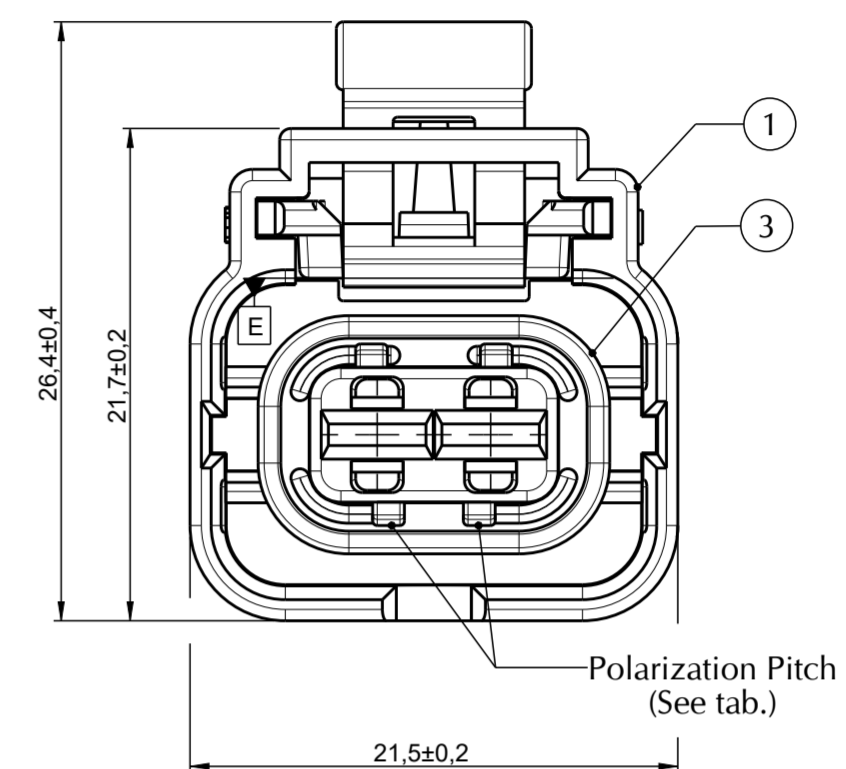
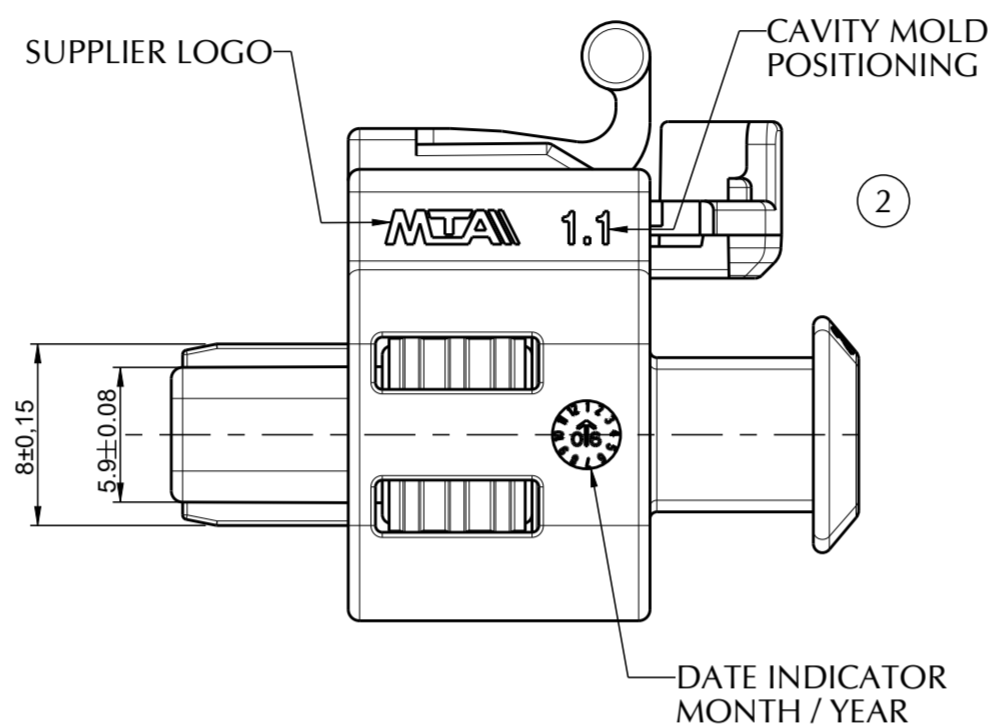
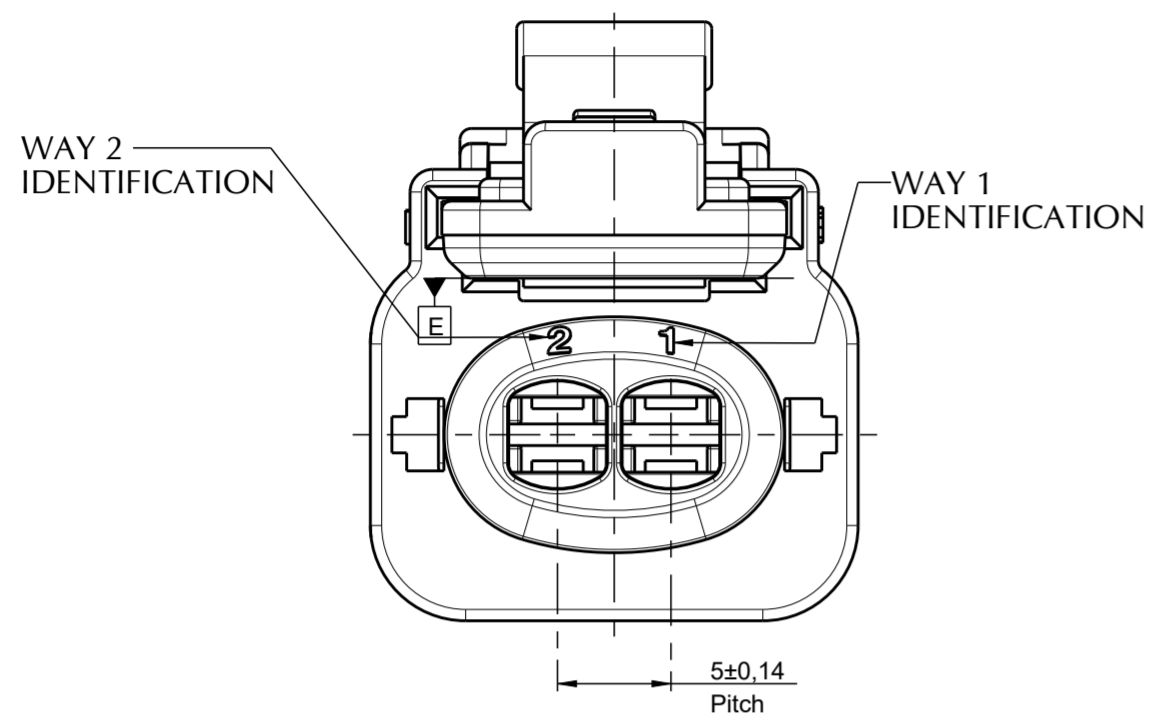


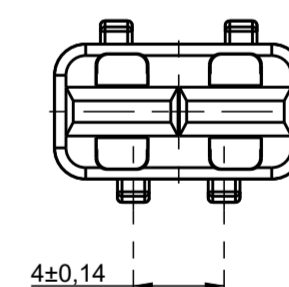
ASSOCIATED TABLE REFERENCE

DENOMINATION	WIRE SIZE RANGE (mm <sup>2</sup> )	TYCO P/N	FORD P/N	YAZAKI P/N
WIRE SEAL	0.35+1	828904-1	2S65-10C930-EBA	7157-3962-90
JPT TERMINAL	0.5+1	2-929939-1		
JPT TERMINAL	0.5+1	2-927770-1		

REVISION HISTORY			
REV.	DESCRIPTION	NAME	DATE
3	ADDED JPT P/N 2-927770-1 IN ASSOCIATE TABLE REFERENCE	E.UGGERI	01.09.11
4	CPA GEOMETRY MODIFIED	R.DALMA	28.03.13
5	MODIFICATION OF CPA SHAPE IN ORDER TO IMPROVE THE COUPLING FLEXIBILITY ON DIFFERENT CONNECTORS	C.LANDOLINA	07.02.18

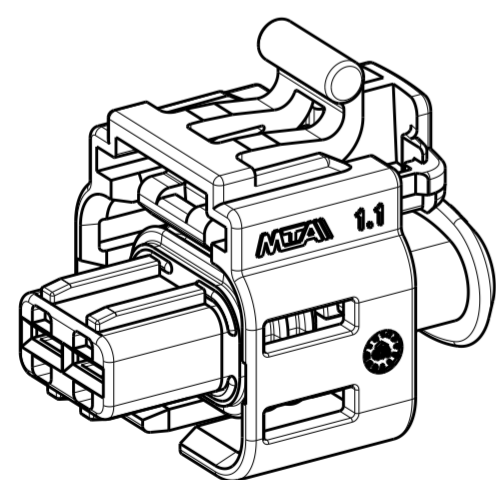


SURVAY OF POLARIZATION PITCH (SECTION F-F SCALE 3.1)

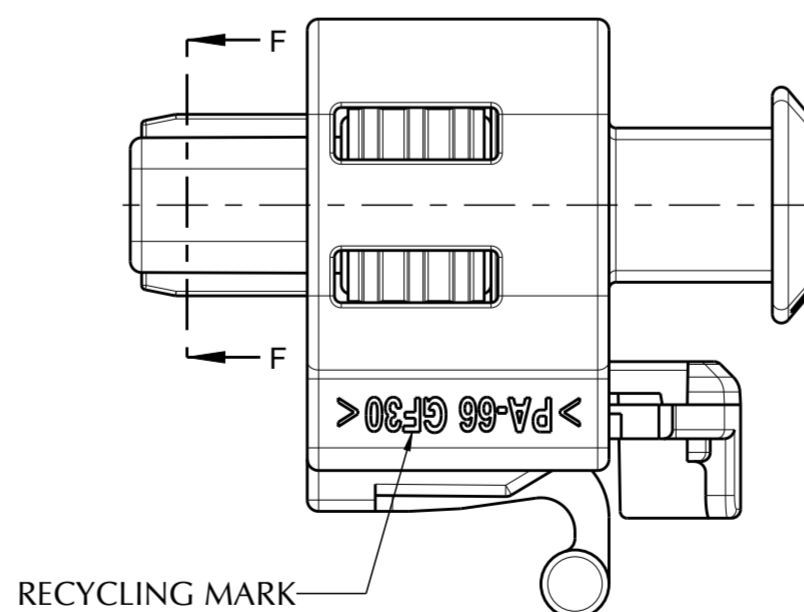


**UNCONTROLLED COPY**  
in case of drawing updating/revision  
NO AUTOMATIC  
resubmission will follow

POS.	Q.TY	DENOMINATION	MATERIAL	COLOR
3	1	GASKET 2WAY	SILICONE	YELLOW
2	1	CPA	PA 66-GF30 HB	YELLOW
1	1	CONNECTOR JPT FH 2WAY	PA 66-GF30 HB	BLACK



SCALE 2:1



OPERATING FEATURES

FEATURE	UNIT	VALUE
V max	V	32
T.min - T.max	°C	-40 / +125
IP	IEC 529	67
Flammability	UL 94	See Tab.

<b>MTA</b>	MTA P/N	4510830/2x	Denom.	CONNECTOR JPT BLACK 2WAY
	Draw No.	B0-015.023A	Used for	
Draft.	24.01.06	E.ZABAGLIO	Draw for	CLIENT
Chk			Scale	Weight(g)
Verif.	07.02.18	A. CROTTI	Lin.Tol.±	Ang.Tol.±
PQApp	13.02.18	M. ROSSI	3:1	0.5
App.	14.02.18	G. SPATARO	A2	2°
			Dimensions in (mm)	Sheet 1/1
			CAD Software PTC Creo	
			Coating	SEE TAB.
			Colour	SEE TAB.
			Note	

REV. 5 All proprietary rights reserved by MTA S.p.A. - This drawing shall not be reproduced, or in any way utilized, for the manufacture of the component or unit herein illustrated and must not be released to other parties, without written consent. Any infringement will be legally pursued.

All proprietary rights reserved by MTA S.p.A. - This drawing shall not be reproduced, or in any way utilized, for the manufacture of the component or unit herein illustrated and must not be released to other parties, without written consent. Any infringement will be legally pursued.