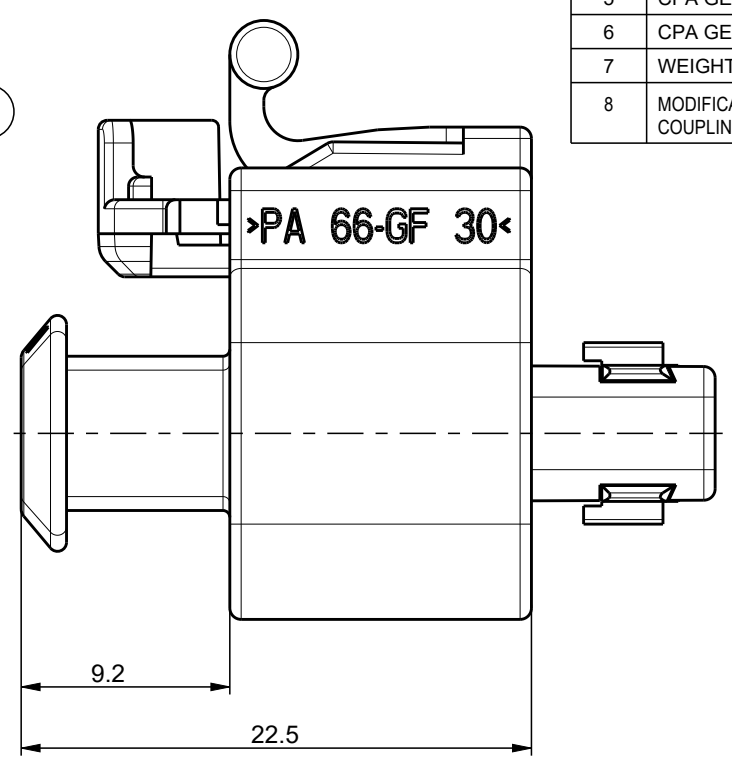
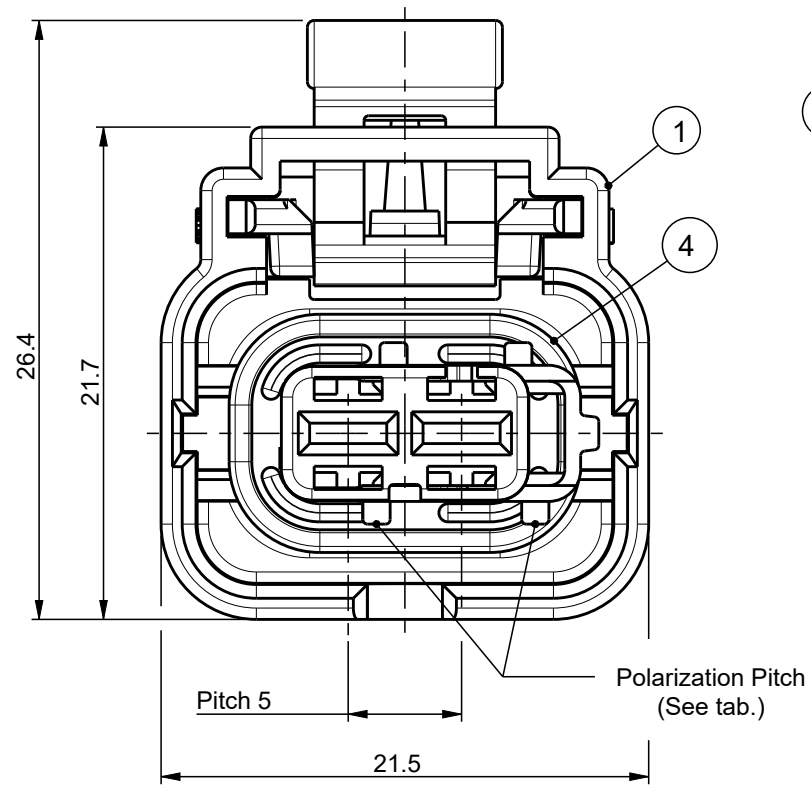
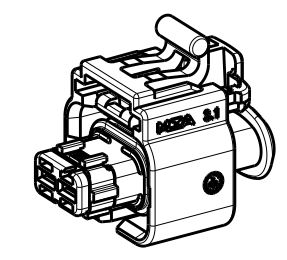
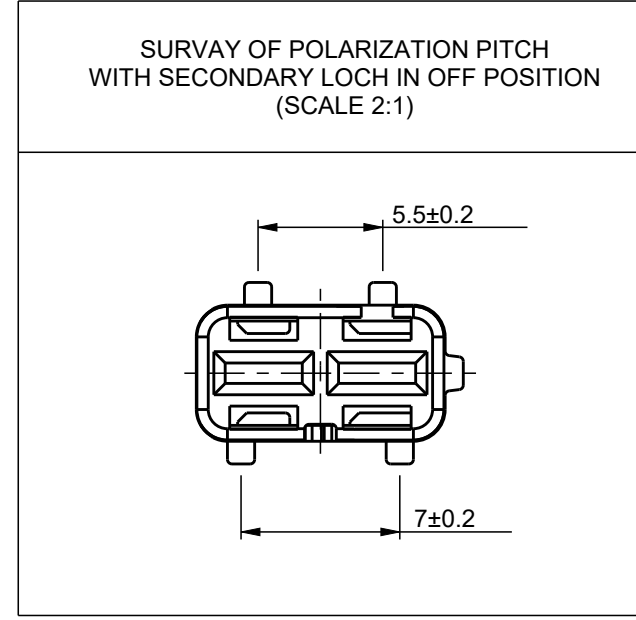
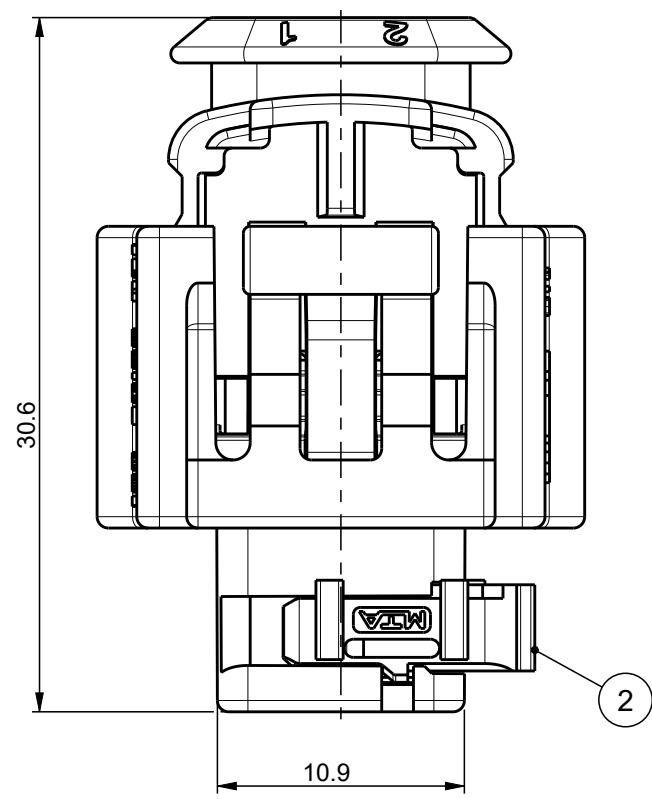


1 2 3 4 5 6 7 8

REV.	REVISION HISTORY	NAME	DATE
5	CPA GEOMETRY UPDATED	P.MANGINI	10.05.05
6	CPA GEOMETRY MODIFIED	R.DALMA	28.03.13
7	WEIGHT ADDED	R.DALMA	24.07.14
8	MODIFICATION OF CPA SHAPE IN ORDER TO IMPROVE THE COUPLING FLEXIBILITY ON DIFFERENT CONNECTORS	C. LANDOLINA	07.02.18



OPERATING FEATURES		
FEATURE	UNIT	VALUE
Temperature range	C°	-30 / +125
Voltage max.	V	32
Flamability	UL 94	See Tab.
IP	IEC 529	67



SCALE 1:1

UNCONTROLLED COPY
 in case of drawing updating/revision
 NO AUTOMATIC
 resubmission will follow

4	1	GASKET 2WAY	SILICONE	YELLOW
3	1	CPA	PA 66-GF30 HB	YELLOW
2	1	SECONDARY LOCK 2WAY	PA 66-GF30 HB	VIOLET
1	1	BLOCK C280 WP FEM/HOLDER 2WAY	PA 66-GF30 HB	BLACK
ITEM	Q.TY	DENOMINATION	MATERIAL	COLOR

MTA	MTA P/N	4510801/3x	Denom.	BLOCK C280 WP FEM/HOLD VIOLET 2WAY
	Draw No.	B0-015.005B	Used for	-
	Date	Name	Draw for	CLIENT
Draft.	30.09.03	E.ZABAGLIO	Scale	Weight(g)
Chk			3:1	4.7
Verif.	07.02.18	A. CROTTI	Lin.Tol±	0.5
PQApp	13.02.18	M. ROSSI	Ang.Tol±	1
App.	14.02.18	G. SPATARO	Dimensions in (mm)	Sheet 1/1
			CAD Software PTC Creo	
REV. 8	All proprietary rights reserved by MTA S.p.A. - This drawing shall not be reproduced, or in any way utilized, for the manufacture of the component or unit herein illustrated and must not be released to other parties, without written consent. Any infringement will be legally pursued.			

1 2 3 4