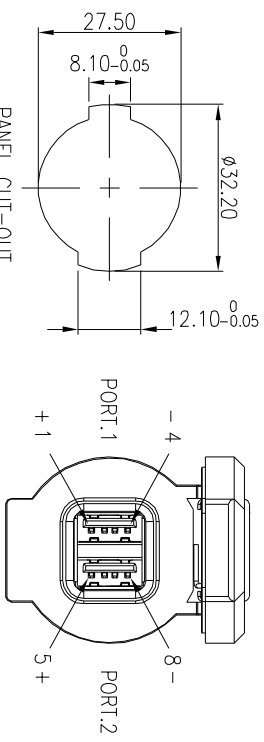
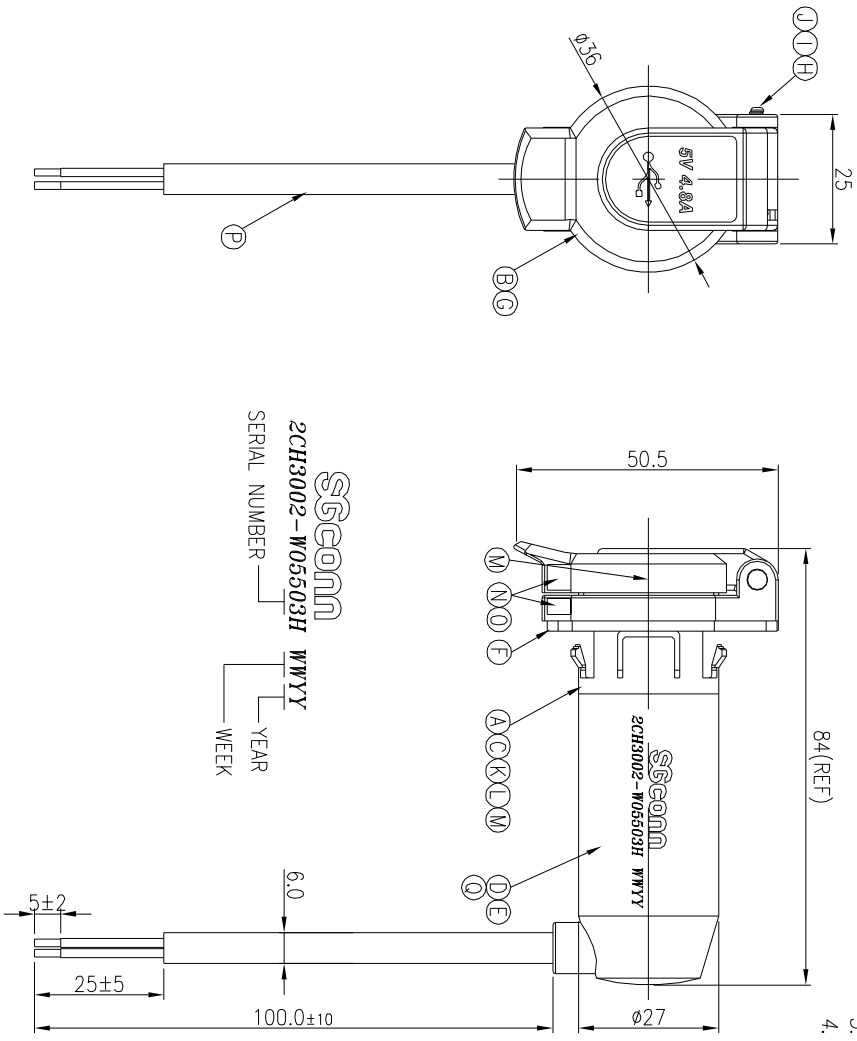


- SPECIFICATIONS:
- ELECTRICAL CHARACTERISTICS:
    - INPUT VOLTAGE: 10V~32V
    - OUTPUT VOLTAGE: 4.55V~5.25V
    - MAXIMUM OUTPUT CURRENT: 4.8A(2.4A+2.4A)
    - OPERATING TEMPERATURE: -20℃~+50℃
  - LIFE TEST: 5,000 CYCLES.
  - RoHS COMPLIANT
  - NORMALLY CLOSED SPRING CAP



PANEL CUT-OUT  
PANEL THICKNESS OF 2.5~3mm

Q	ROUND TUBE	1	PC	BLACK
P	CABLE	1	2464 AWG 16AWG 2C UV OD:6.0mm BLACK	4CM3004-W02604
O	STOPPER	2	PVC	BLACK
N	MAGNET	2	NdFeB	NICKEL
M	GLUE	1	N/A	WHITE
L	USB2.0	1	N/A	N/A
K	PCBA	1	FR-4	N/A
J	AXIS	1	SUS	NATURAL
I	SPRING	1	SUS	NATURAL
H	E-RING	1	SUS	NATURAL
G	CAP GASKET	1	SILICONE	RED
F	GASKET	1	SILICONE	BLACK
E	OVER MOLD	1	TPU	BLACK
D	GLUE	1	N/A	BLACK
C	COVER	1	ABS	NATURAL
B	CAP	1	PC	BLACK
A	BODY	1	PC	BLACK

NO	DESCRIPTION	QTY	MATERIAL	PLATING & COLOR
UNLESS OTHERWISE SPECIFIED TOLERANCES				
Singatron Enterprise Co., Ltd. 信營企業股份有限公司				
TITLE WATERPROOF USB CAR CHARGER 12V-24V 4.8A				
NORMALLY CLOSED SPRING CAP				
PART NO. 2CH3002-W05503H				
DMW	Jun	SCALE 1:1	UNIT: mm	
CHKD	JF	SIZE: A3	SHEET: 1 OF 1	REV: A
APVD	Steve	CUSTOMER COPY		

WIRE	PORT 1	PORT 2
RED +	1	5
BLACK -	4	8

