

DOBINSONS FRIDGE/FREEZER SLIDE

SUITS 30/40/50 LITRE FRIDGES

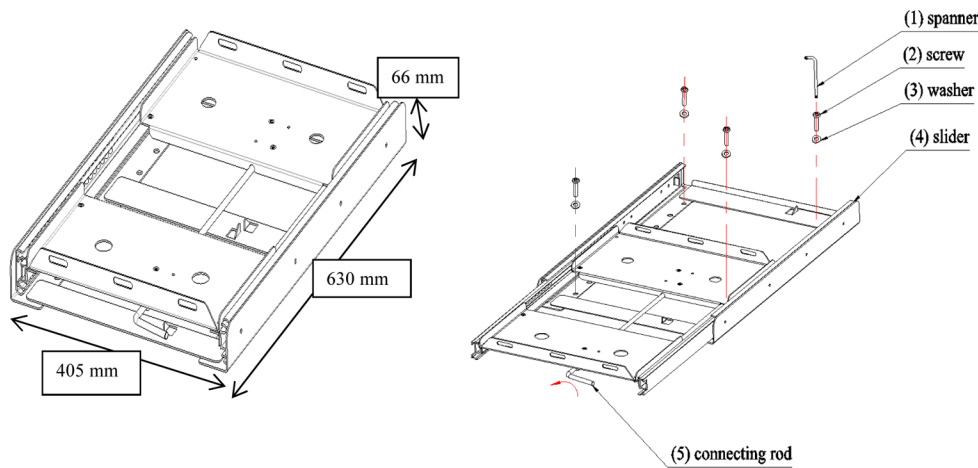


This fridge/freezer slide will only take around an hour to install and a few basic tools are required.

Tools required are

- Spanners/socket set.
- Allen Keys
- Screwdrivers
- Drill and drill bits

Do not utilize the fridge/freezer slide until the installation is completely finished.



Slide Installation

Your fridge/freezer slide must not be installed with the fridge/freezer attached to it.

Your fridge freezer slide must be installed onto a flat surface.

1. Place your fridge slide into position where it is to be installed ensuring that the handle and the slide direction is in the correct orientation. Ensure that this will allow the best fridge access.
2. Turn your fridge slide upside down, there are pre-drilled holes for easy installation. The slide can be installed using nuts, bolts and washers or screws and washers.
3. Slide the fridge slide tray out a little by rotating the locking pin.
4. Mark the holes you wish to use. It is recommended to use a minimum of 6 holes (3 per side) and it is recommended if possible to use 4 holes as close to each end as possible to provide best stability.
5. Drill the holes and install nuts, bolts, washers or screws and washers.
6. Check the operation of the fridge slide is smooth, if not it is possible that the surface is not quite flat (this is common when installing to carpeted surfaces). If not loosen the installation bolts/screws until the slide action is smooth and install packing washers to level the slide. Re-tighten all installation bolts.

Mounting Your Fridge

Carefully install your fridge to the fridge slide tray locating the fridge mounting feet into the pre drilled holes and install the 4 tie down straps around the fridge handles and the slots in the slide tray provided.

Operation

Rotate the locking pin to allow the tray to slide out. Your Dobinsons Fridge slide can be locked in at half way and full extension. Release the pin to lock the tray into position. NOTE: Take care when sliding fridge if vehicle is parked on a large angle. Ensure fridge cables and other wiring, clothing and fingers are kept clear of moving parts and are not pinched.