

IMS16-60302 FITTING INSTRUCTION

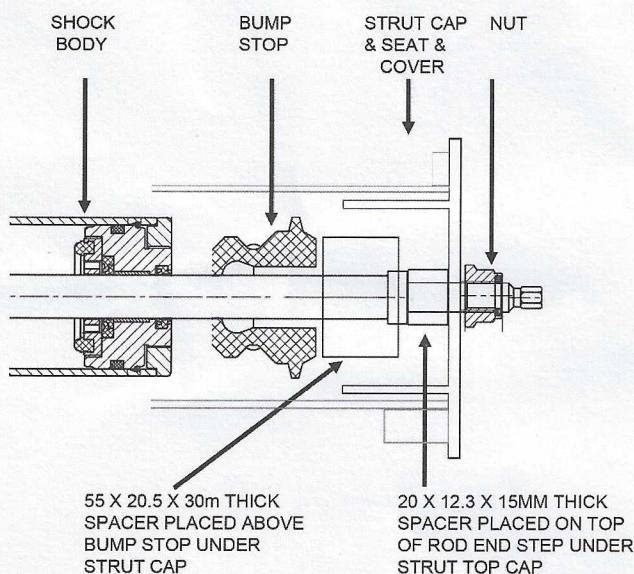


2009 ON DODGE RAM 1500

Dobinsons shock absorber IMS16-60302 has been developed to suit the front of both the 2009 – 2018 model and 2019 model Dodge Ram 1500. It is important to note that most Australian delivered RH drive converted vehicles utilize the older 2018 model chassis.

1. First identify your chassis. This can be done by inspecting the rear shock absorber. 2009 – 2018 models will have a round eye on the top and bottom of the shock absorber. 2019 on new chassis will have a thread bolt type pin on the top and an eye on the bottom of the shock absorber
2. Trim the dust cover shorter so it is level with the spring seat.
3. Set your spring seat height.
 - A). For 2009 -2018 models use the lowest groove. The higher grooves can be utilized for large lift heights than listed in the Dobinsons spring catalogue at the customer's own risk as this may induce coil bottoming.
 - B). For 2019 on models use the second highest groove. The higher groove can be utilized for large lift heights than listed in the Dobinsons spring catalogue at the customer's own risk as this may induce coil bottoming.
4. Align the spring seat so the step in the spring seat is in the same position as the standard shock absorber.
5. Assemble the shock absorber components in the same order as picture below.
 - A). for 2009 – 2018 models install in the following order – shock body, bump stop, spacer 55 x 20.5 x 15mm thick, dust cover, coil seat, coil, strut top cap, nut.
 - B). for 2019 on models install in the following order – shock body, bump stop, spacer 55 x 20.5 x 30mm thick, dust cover, coil seat, coil, then place the 20 x 12.3 x 15mm thick steel spacer on top of the rod end pin, then the strut top cap and nut.

2019 ON INTERNATIONAL MODELS
IDENTIFY YOUR MODEL WITH A PIN TOP
AND EYE OF THE REAR SHOCK



2009 - 2018 INTERNATIONAL MODELS &
2009 ON AUSTRALIAN DELIVERED MODELS
IDENTIFY YOUR MODEL WITH A EYE TOP
AND BOTTOM OF REAR SHOCK

