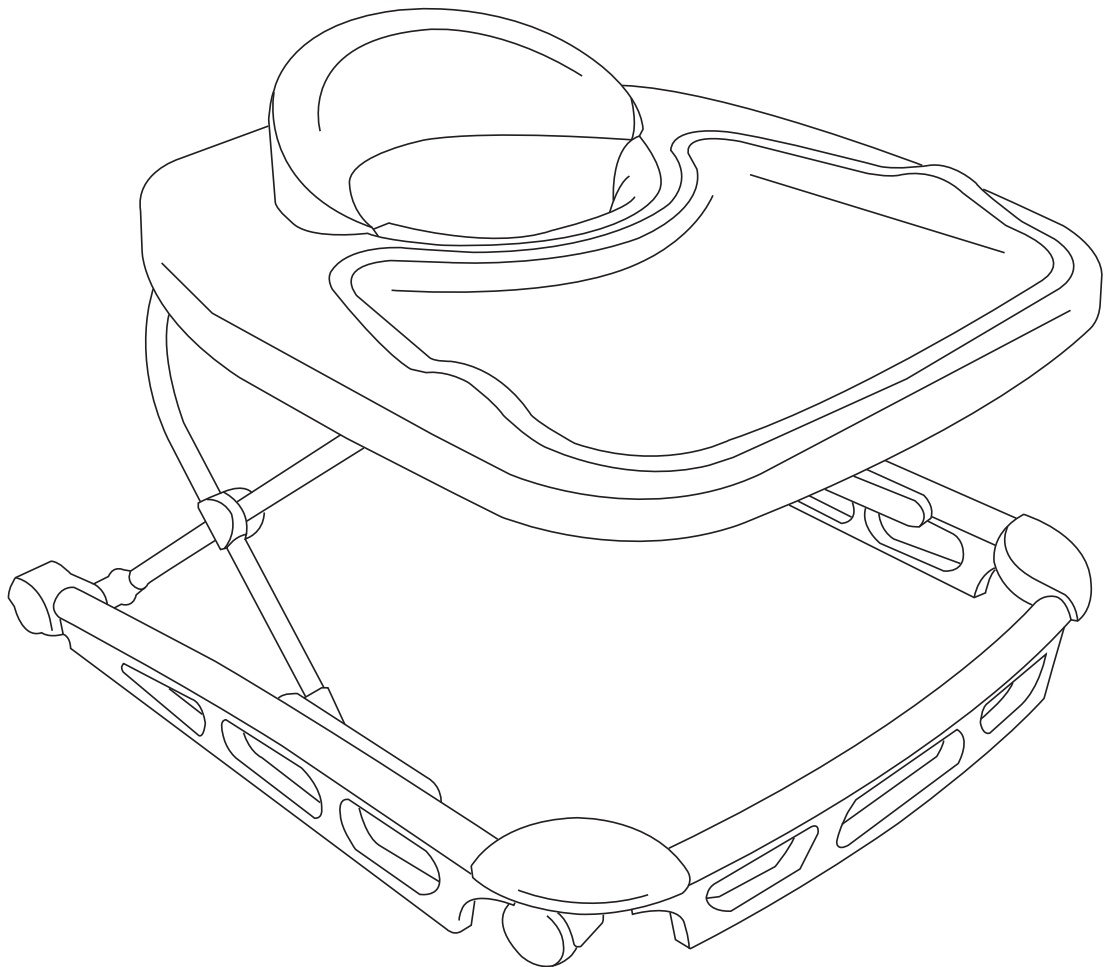


joovy®

Spoon™
0012X



© Joovy 2015 • 150413

USA: Joovy • 2919 Canton Street • Dallas, TX 75226 • Tel: (877) 456-5049 • Fax: (214) 761-1774 • Email: customerservice@joovy.com • Website: www.joovy.com

⚠️ WARNING

Please read these instructions carefully before use and keep them for future reference.

- NEVER leave child unattended. Always keep child in view while in walker.
- NEVER use near stairs, steps or thresholds. Use only on flat surfaces free of objects that could cause the walker to tip over.
- This walker is designed for a child that is LESS than 33.5 in (85.09 cm) and less than 30 lbs (13.6 kg).
- To avoid burns, keep child away from hot liquids, ranges, radiators, space heaters, fireplaces, etc.
- NEVER carry walker with child inside.
- ALWAYS check that both feet of the child can touch the floor
- Do not use the walker if it is damaged or broken.
- Do not use until baby can sit up by itself.

STAIR HAZARD

- Avoid serious injury or death.
- Block stairs/steps securely before using walker.
- Clean friction pads regularly to maintain stopping performance.

Please do not return this product to the store

If you experience any difficulty with the assembly or use of this product, or if you have a question regarding these instructions, please contact our Customer Service Department at (877) 456-5049 between the hours of 8:30 am and 5:00 pm Central Time.

Please note: Styles and colors may vary.

Assembling and Using your Walker

1 Unpacking the Product

- Remove everything from the box and identify the parts using **Figure 1.1**. (not to scale)
A: walker, **B:** tray insert, **C:** seat, **D:** two front wheels and documents (not shown).
- Discard all packaging materials properly including plastic coverings.
- DO NOT allow children to play with any packaging materials.

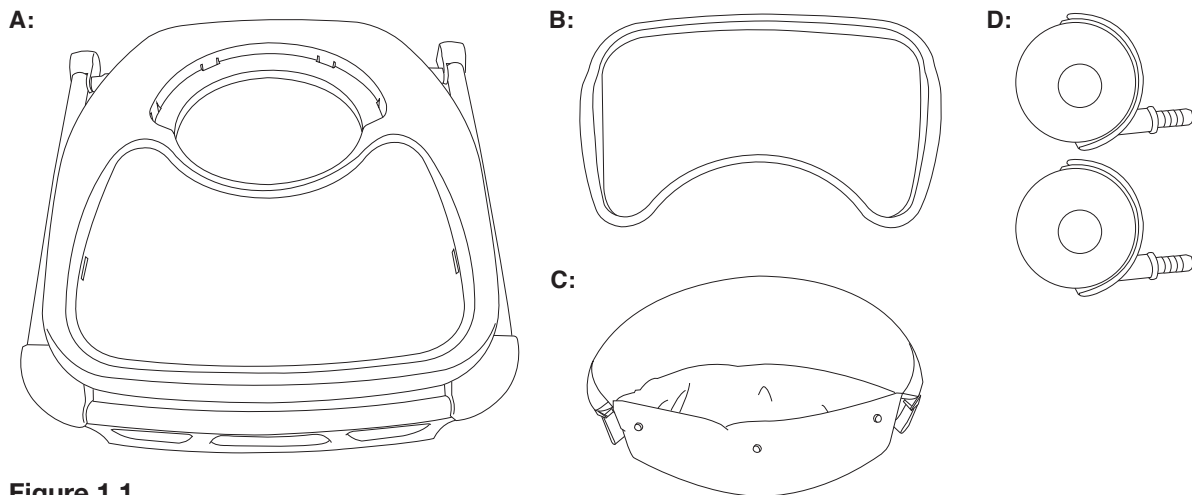


Figure 1.1

2 Installing the Front Wheels

- Insert the post of one of the front wheels into the hole in one of the front corners. Push firmly until the post is fully engaged. **See Figure 2.1**.
- Repeat this for the other front wheel.
- Pull on each wheel to ensure it is secured in place.
CAUTION: Be sure the post is inserted fully into the base. The top lip of the post should be flush with the base hole. Nothing below this lip should be visible.

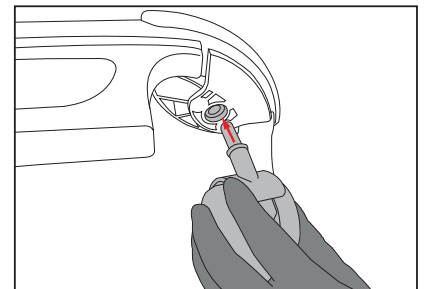


Figure 2.1

3 Unfolding, Adjusting, and Folding the Walker

- Set the walker upright and pull up on the top part until you hear a click. **See Figure 3.1**.
- The walker has three adjustable height positions depending on the height of your child. Pull up to click into any of the three positions.
- To fold or adjust the walker's height, locate the rectangular button under the front end of the walker. **See Figure 3.2**.
- To fold or adjust the height you must turn the rectangular button counter-clockwise 90° and then push in. Lower the walker to the desired height and then release the button. **See Figure 3.3**.

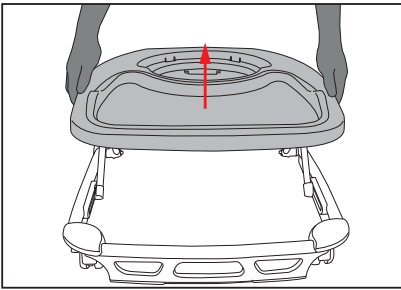


Figure 3.1

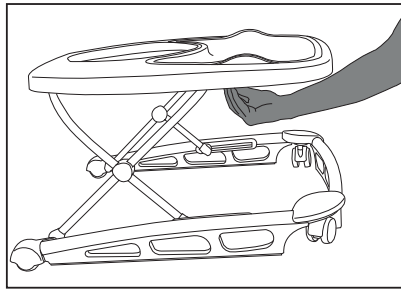


Figure 3.2

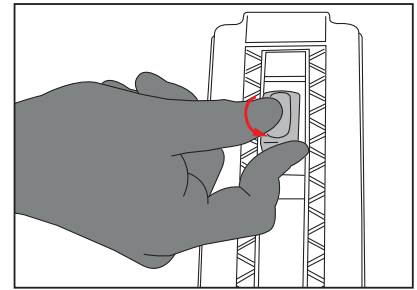


Figure 3.3

⚠️ WARNING

PINCHING HAZARD

Keep children away from walker while making any adjustments to the walker height.

4 Installing the Seat

- Identify the front of the seat and the three plastic posts.
- Starting with the center plastic post, insert the front center post into the front center hole of the walker (**See Figure 4.1**) and push down to lock in place. **See Figure 4.2.**
- Repeat these steps for the other two plastic posts.
- Next, on the rear of the seat there are five straps. Starting with one of the two straps on the outside, feed the strap through the slot in the back of the walker. **See Figure 4.3.**
- Make sure that the plastic clip passes all the way through the slot, then turn the plastic clip so that it is flat. **See Figure 4.4.**
- Repeat these steps for the remaining four straps.
- Pull on the straps and tabs to ensure they are secure.
- Always check walker height adjustment to be sure child's feet touch the floor.

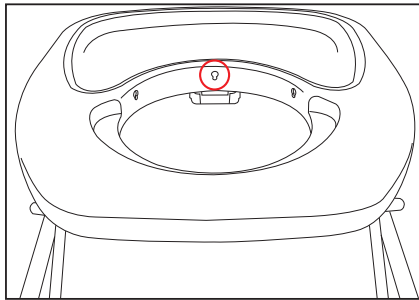


Figure 4.1

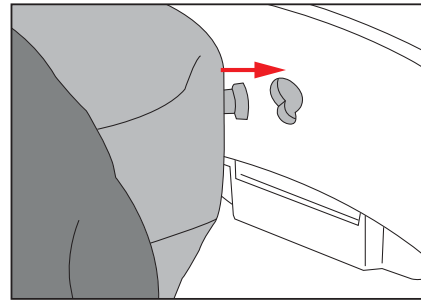


Figure 4.2

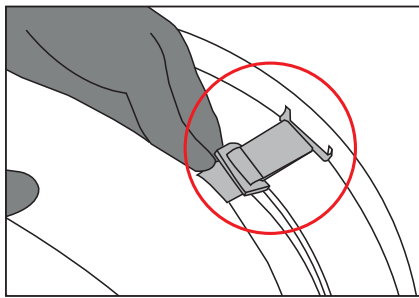


Figure 4.3

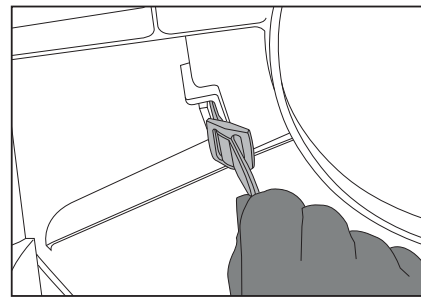


Figure 4.4

5 Using the Tray In sert

The tray insert is removable and dishwasher safe. This tray has a "Child Resistant" snap. This design makes the tray insert difficult for a child to remove, while still being easily removed by an adult.

- To remove the tray insert, flex handles inward, push thumb down on the inner edge of the tray and pull up. **See Figure 5.1.**
- To attach the tray insert, fit the tray insert into the tray until both sides click into place.

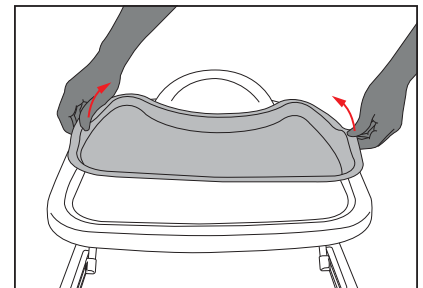


Figure 5.1

6 Removing the Seat for Washing

- Starting with the front of the seat, lift up on a post and pull out. **See Figure 6.1.**
- Repeat these steps for the other 2 plastic posts.
- Next, on the rear of the seat there are five straps. Starting with one of the two straps on the outside, turn the plastic clip so it can be pushed through the slot, then pull the strap all the way through the slot. **See Figure 6.2.**
- Repeat these steps for the remaining four straps.

- Remove the back support padding in the seat by finding the zipper located next to the straps (See Figure 6.3). Open the zipper and remove the padding.
- To remove the back support plastic, feed the five straps through the fabric and remove the plastic from inside the seat.
- Seat is now ready for the washing machine.
- Look for the tag on the seat cover on how to wash in washing machine.

NOTE: ONLY the seat cover is machine washable.

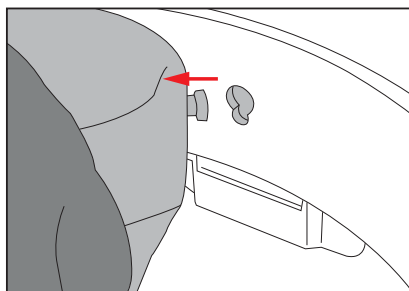


Figure 6.1

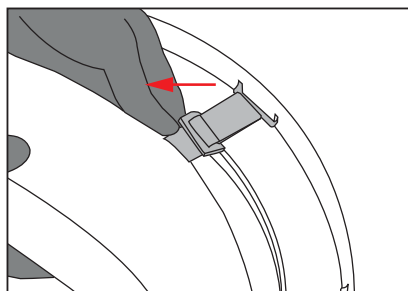


Figure 6.2

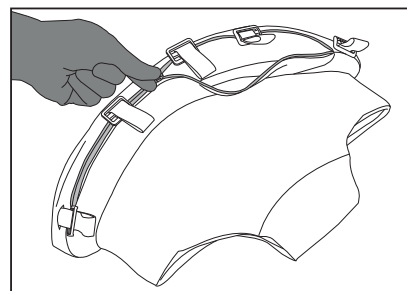


Figure 6.3

7 Reassembling the Seat

- Place the plastic back into the seat and feed the five straps through the five holes.
- Place the back support padding back into the seat and zip up the zipper.
- Follow the instructions in Section 4 to reinstall the seat onto the walker.

Maintenance

All of the fittings, snaps, locks, rivets, and other hardware and plastic parts on the walker should be inspected periodically to ensure that they are secured properly and not damaged or malfunctioning. The straps and fabric items and their stitching should also be inspected periodically to ensure that they are secured properly and not loose, torn or otherwise damaged. All moving parts should also be checked periodically to ensure they are operating properly. Clean friction pads (on the bottom of the walker) regularly to maintain stopping performance. See Figure M.

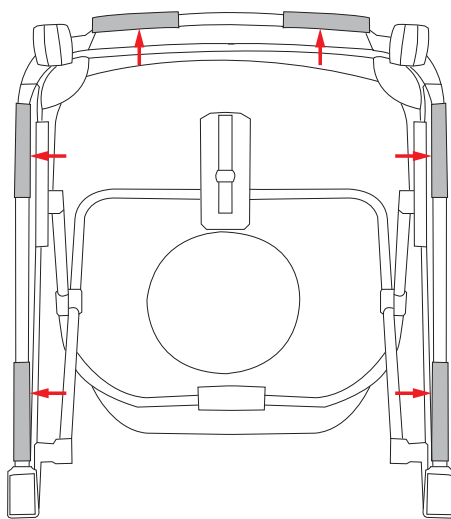


Figure M

Any missing, broken, or worn components should be replaced immediately, and the walker should not be used until they are replaced. Only original manufacturer's components should be used. If needed, please contact Joovy at our toll-free phone number (877) 456-5049.

Cleaning

The fabric material on this walker can be machine washed or cleaned using mild household soap or detergent and warm water on a sponge or clean cloth. Always allow the fabric to completely air dry before using the walker.

The frame, wheels, and tray should always be kept clean and free of dirt and foreign matter. Use a sponge or cloth dampened with warm water and a mild detergent cleaner to clean the wheels after such use.

SATISFACTION GUARANTEED

We want you to be completely satisfied with your purchase of this product. Should you experience any difficulty in assembling or using this product, or if you have any questions - Please contact our Customer Service Department at (877) 456-5049 between the hours of 8:30 am and 5:00 pm Central Time.

Please log onto www.joovy.com to register your new Joovy product.