

CASA
HOOK WALL STORAGE
MODEL # 095601

IMPORTANT: RETAIN FOR FUTURE REFERENCE, READ CAREFULLY

SAFETY PRECAUTIONS

Read all instructions before use of the Hook Wall Storage. Keep instructions for future use.

⚠ WARNING ⚠

BEFORE USE OF THE HOOK WALL STORAGE, READ AND UNDERSTAND THE INSTRUCTIONS.

DO NOT EXCEED 27 KGS OF WEIGHT ONTO HOOK WALL STORAGE UNIT.

BEFORE USE ENSURE THAT THE HOOK WALL STORAGE UNIT IS LEVEL AFTER APPLICATION TO WALL.

ONLY USE ATTACHMENT WALL KIT THAT IS SUPPLIED WITH THIS PRODUCT TO PREVENT INJURY TO CHILD

KEEP INSTRUCTIONS IN A SAFE PLACE FOR FUTURE REFERENCE.

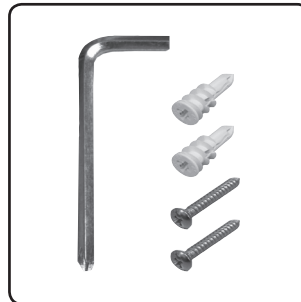
Check what you have received...

You have received 1 box. Please check the contents of the box against the list below. If anything is missing, please contact Customer Service. In Australia, contact CNP Brands on 1300 667 137, in New Zealand contact Wainhouse Distribution on 0800 567 5000.

Supplied loose in box:



Casa Hook Wall Storage
095601
(Pre-assembled)

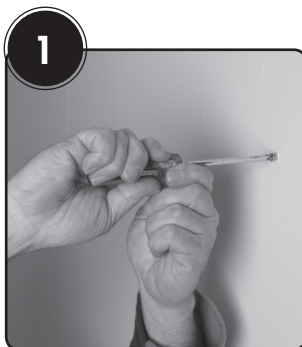


Wall Mounting Kit

- 34mm Metal Screw x 2
- 34mm Plastic Plaster Mounting Screws x 2
- Allen Key with Screwdriver end x 1

TO ATTACH TO WALL

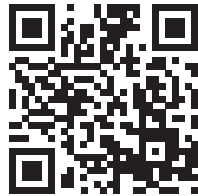
A minimum of two metal screws are used for hook wall storage if mounting to wall studs. If mounting directly into plaster wall then two x 34mm Plastic Plaster Mounting Screws and two x 34mm Metal Screws are required.



- 1a. Mark two guides onto wall at your preferred height, 750mm apart (ensuring that they are level).
- 1b. Screw two x 34mm plastic wall plugs into marked plaster wall using the Screwdriver end of the Allen Key supplied.
- 1c. Screw into plastic plug using two x 34mm screws, leaving the screws protruding 6mm from the wall surface.



- 2a. Slide wall storage onto screws and slide down to lock in place.
- 2b. Ensure that the unit is stable before decorating.



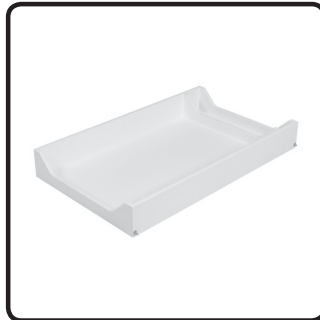
CASA
HOOK WALL STORAGE
MODEL # 095601

IMPORTANT: RETAIN FOR FUTURE REFERENCE, READ CAREFULLY

ADDITIONAL FURNITURE RANGE



Casa Hook Wall Storage
095601



Casa Change Top
095596



Casa Toy Box with Seat
095597



Casa Dresser
095595



Casa 3 Drawer Chest
095599



Casa Modular Bookcase
095598



Casa Slim Bookcase
095600

For more information regarding our full range of coordinating Casa Cots and Change Tables, please visit the CNP Brands website at www.cnpbrands.com.au and click the bebe care brand link, or contact our Sales Department on **1300 667 137** to make your enquiry.

HOW TO CARE FOR YOUR BEBE CARE FURNITURE

Maintenance

Always check parts regularly for tightness of screws, nuts and other fasteners – tighten or replace if required. To maintain the safety of your hook wall storage, seek prompt repairs for bent, torn, worn or broken parts. Use only those parts and accessories approved by CNP Brands.

Distributed in Australia by CNP Brands
20 Calarco Drive,
Derrimut, VIC, 3030
Customer Service 1300 667 137

W: www.cnpbrands.com.au
E: info@cnpbrands.com.au
F: www.facebook.com/CNPBrands
I: @cnp_baby

Distributed in New Zealand by Wainhouse Distribution
2-6 Argyle St, Morningside,
PO Box 41-014,
St Lukes, Auckland, New Zealand
Customer Service: 0800 567 5000

E: helpline@wainhousedist.co.nz

