



2IN1
Toilet Trainer "White"
Model # 055222-003

IMPORTANT: RETAIN FOR FUTURE REFERENCE, READ CAREFULLY

SAFETY PRECAUTIONS

Read all instructions before assembly and use of the toilet trainer. Keep instructions for future use.

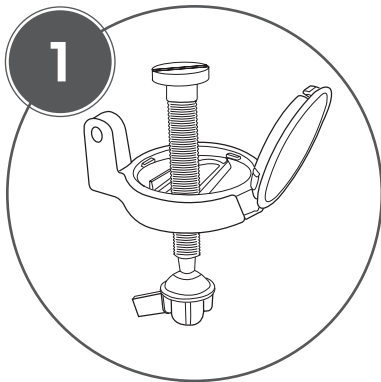
⚠ WARNING ⚠

BEFORE ASSEMBLING THIS TOILET TRAINER, READ AND UNDERSTAND THE INSTRUCTIONS.

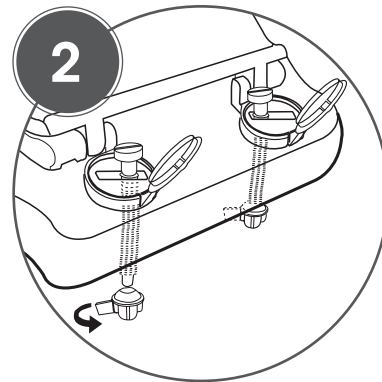
Always use this product with adult supervision.

KEEP INSTRUCTIONS IN A SAFE PLACE FOR FUTURE REFERENCE.

To assemble Toilet Trainer...



- 1a. 2in1 Toilet Trainer fits most standard toilets.
- 1b. Place screw through slot in hinge post and toilet bowl mounting holes.
- 1c. Start nuts on screw from underside of toilet bowl.



- 2a. Position seat as desired, on toilet bowl and tighten from above with a conventional screwdriver (not included). Close and lock hinge cover in place.
- 2b. Periodic checking and re tightening of nuts is recommended.

HOW TO CARE FOR YOUR CHILDCARE TOILET TRAINER

This product has been designed and developed with safety, comfort and functionality in mind. Please take the time to read this manual carefully before using this product and keep it in a safe place for future reference.

Maintenance

Always check parts regularly for tightness of screws, nuts and other fasteners – tighten or replace if required. To maintain the safety of your toilet trainer, seek prompt repairs for bent, torn, worn or broken parts. Use only those parts and accessories approved by CNP Brands.

Distributed in Australia by CNP Brands
20 Calarco Drive,
Derrimut, VIC, 3030
Customer Service 1300 667 137

W: www.cnpbrands.com.au
E: info@cnpbrands.com.au
F: www.facebook.com/CNPBrands
I: @cnp_baby

Distributed in New Zealand by Wainhouse Distribution
2-6 Argyle St, Morningside,
PO Box 41-014,
St Lukes, Auckland, New Zealand
Customer Service: 0800 567 5000

E: helpline@wainhousedist.co.nz

