



# Eve

High Chair  
Model # 044385



**IMPORTANT:  
RETAIN FOR FUTURE REFERENCE,  
READ CAREFULLY**

Read all instructions before assembly and use of the high chair. Keep instructions for future use.

### **WARNING**

**BEFORE ASSEMBLING THIS HIGH CHAIR, READ AND UNDERSTAND THE INSTRUCTIONS.**

**Follow the manufacturer's instructions**

**Do not leave children unattended.**

**The harness must always be used and correctly fitted - most injuries from high chairs are caused by falls.**

**Position the high chair away from solid structures and benches to avoid injuries caused by falls and by access to dangerous items.**

**Be aware of the risk of an open fire and other sources of strong heat in the vicinity of the high chair.**

**Do not use the high chair until the child can sit up unaided.**

**Do not use high chair unless all components are correctly fitted and adjusted.**

**Stop using this high chair if any part of the high chair is broken, torn or missing.**

**KEEP INSTRUCTIONS IN A SAFE PLACE FOR FUTURE REFERENCE.**

Check that all parts are engaged before placing a child in the high chair.

Always keep child in view while in high chair.

Not recommended for a child under 6mths old.

The tray is not designed to hold the child in the high chair.

**ALWAYS** secure your child in the restraint. Ensure that your child wears a correctly fitted and adjusted harness at all times.

Only use the high chair on a secure level surface. Use the high chair on a flat, even and horizontal floor.

**DO NOT** elevate the high chair on any structure or table.

**DO NOT** allow children to stand on the seat or footrest or climb into or out of the high chair.

When adjusting the tray, make sure that parts of your child's body are clear of any moving parts.

**DO NOT** carry the high chair with a child in it.

To reduce the risk of injury, position the high chair away from furniture, walls, hot surfaces and liquids, window covering cords, and electrical cords.

Position the high chair away from furniture when the high chair is not being used at a table with the tray removed.

Periodically check that all parts of the high chair are in good working order.

**DO NOT** use the high chair if it is damaged or broken.

The weight of the child using this high chair should not exceed **15kgs**.

Promptly replace worn out or broken parts.

Please seek repair and **DO NOT** use high chair if it is not working correctly.

**FALLING HAZARD:** Prevent your child from climbing on the product.

Be aware of the risk of tilting when your child can push its feet against a table or any other structure.

## Congratulations on your purchase of the **Eve High Chair**

This product has been designed and developed with safety, comfort and functionality in mind. Please take the time to read this manual carefully before using this product and keep it in a safe place for future reference.

### Contents

Assembly contents list

Assembly / Operating instructions

How to care for your **Eve High Chair**



Due to variations in the style and design of our products, the photographs and illustrations shown in this instruction manual are generic, therefore product fabrics, colour and design may vary from images shown. CNP Brands reserves the right to alter product specifications without notice as a result of our ongoing policy of product improvement.

## Check what you have received...

You have received **1 box**. Please check the contents of the box against the list below. If anything is missing, please contact Customer Service.

In Australia, contact **CNP Brands on 1300 667 137**, in New Zealand contact **Wainhouse Distribution on 0800 567 5000**.

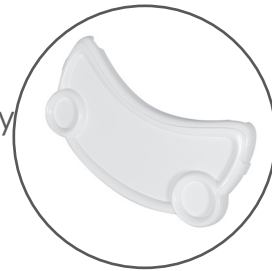
## Supplied loose in box:

Seat  
(with Harness  
preassembled)



x 1

Tray (with Sub Tray  
pre-assembled)



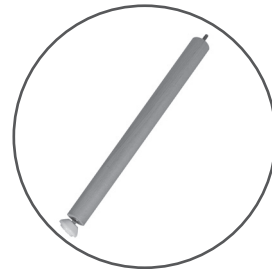
x 1

Top Legs



x 4

Bottom Legs



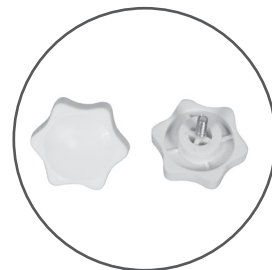
x 4

Footrest



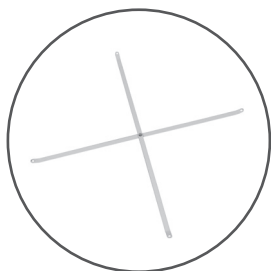
x 1

Footrest bolts



x 2

Cross Brace



x 1

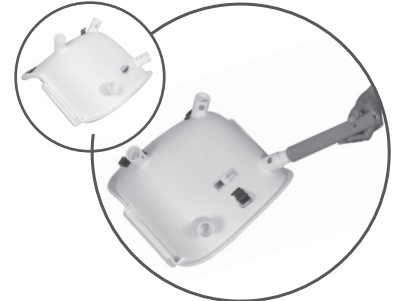
There are no accessories recommended for use with this Childcare Eve High Chair.

## To assemble High Chair...

**1**

- 1a. Lay high chair down on the backrest.
- 1b. Insert 1 x Top Leg (A) into the bottom right hand side leg opening.
- 1c. Insert 1 x Top Leg (B) into the bottom left hand side leg opening.

**NOTE: The footrest assembling holes on the front legs should be facing inward and toward each other.**



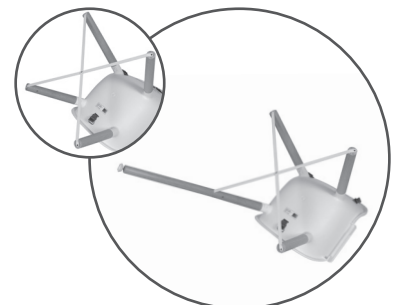
**2**

- 2a. Insert 1 x Bottom Leg (C) into the top right hand side leg opening.
- 2b. Insert 1 x Bottom Leg (D) into the top left hand side leg opening.



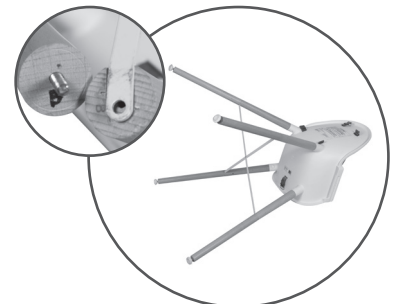
**3**

- 3a. Place one end of the Cross Brace in the groove at the end of Leg (A).
- 3b. Assemble the Bottom Leg (A) through Cross Brace and into Top Leg (A) until secure.



**4**

- 4a. Assemble the Bottom Leg (D) through Cross Brace and into Top Leg (D) until secure.
- 4b. Assemble the Bottom Leg (B) through Cross Brace and into Top Leg (B) until secure.
- 4c. Assemble the Bottom Leg (C) through Cross Brace and into Top Leg (C) until secure.



**5**

- 5a. Stand chair upright.
- 5b. Gently push down on chair to ensure the feet auto-level and are flat on the floor.

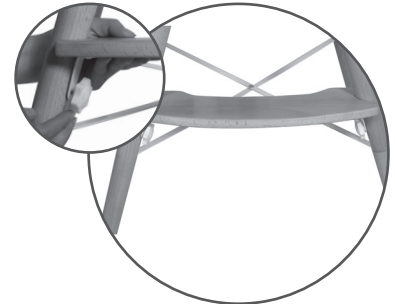
**NOTE: Always check the feet are flat and level before each use of the highchair.**



## To assemble High Chair continued...

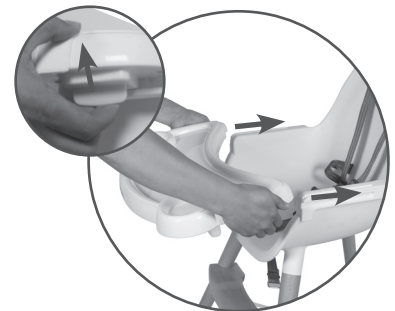
6

- 6a. Place Footrest between front legs.
- 6b. Secure to both front legs using 2 x Footrest bolts. Tighten until secure



7

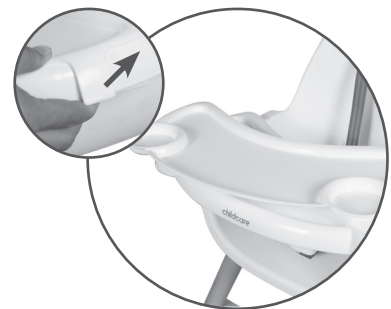
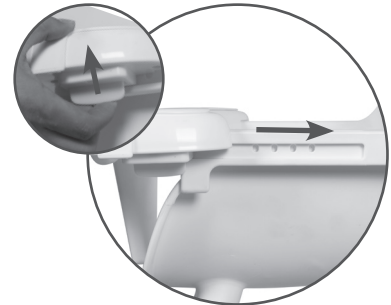
- 7a. Align Tray with Seat armrest slots.
- 7b. Pull and hold the Tray adjustment levers on both sides of the Tray and slide Tray onto armrests.
- 7c. Release Tray adjustment levers ensuring Tray 'clicks' into position and is secure.



The high chair is now ready for use.

## To adjust Tray...

- 1
  - 1a. This Tray has 4 adjustable positions.
  - 1b. To adjust Tray, pull tray adjustment latches on both sides of Tray and slide forward or backward to desired position.
  - 1c. Release the tray adjustment levers, ensuring Tray 'clicks' into position and is secure.
- 2
  - 2a. This Tray features a Sub-Tray, which is easily removed by lifting the two tabs on the sides of the Tray and lifting Sub-Tray away from the Tray.
- 3
  - 3a. To remove Tray, pull tray adjustment latches on both sides of Tray and slide away from the chair.

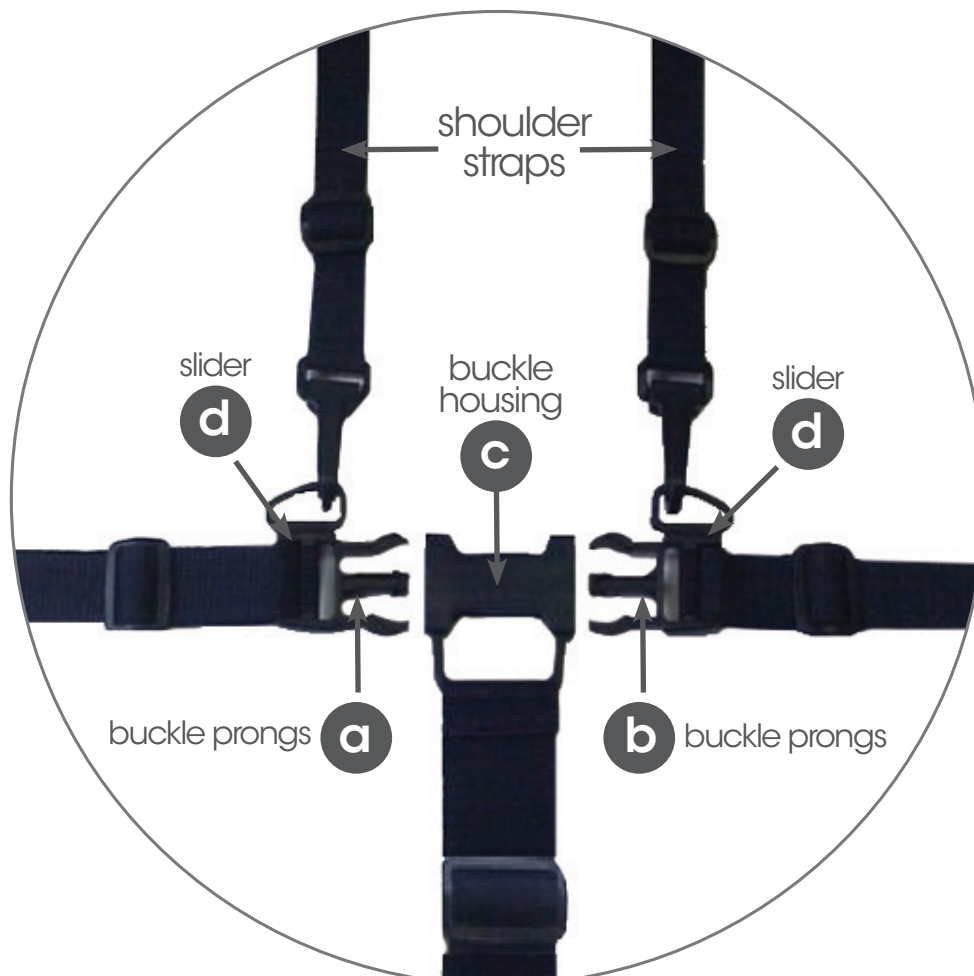


## To use the Harness...

**CAUTION:** The harness must be used at all times and be correctly adjusted. Most injuries from high chairs are caused by falls.

- 1a. Place baby in the seat.
- 1b. Position the crotch strap between baby's legs and feed arms through shoulder straps.
- 1c. To secure child in harness, push buckle (a) and (b) into the buckle housing (c) until the buckle prongs snap into position.
- 1d. Carefully adjust the harness by pulling the slider (d) until the desired fit is achieved in the lap, shoulder and crotch strap.
- 1e. To release the buckle, squeeze the top and bottom prongs until it disengages.

**NOTE:** Use the 5-point harness at all times to ensure that baby is safe and secure while seated.

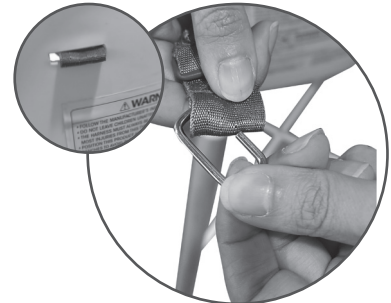




## To remove Harness for cleaning...

1

- 1a. Remove the D-ring from the ends of the harness strap by sliding the webbing through the slot in the D-ring.
- 1b. Push strap end through the slot in the seat and remove harness.



**NOTE:** There are 5 harness attachment points.

**CAUTION:** ALWAYS re-fit harness correctly after cleaning and before re-use.



### Cleaning

This product has been designed and developed with safety, comfort and functionality in mind. Please take the time to read this manual carefully before using this product and keep it in a safe place for future reference.

To ensure the long-lasting use of your high chair, wipe down with a damp cloth and use a mild soap solution if necessary. Do not use abrasive cleaners. Always store product in a clean dry place.

Tray:

Wipe clean with a damp cloth and mild soap. Air dry. Do not immerse in water.

### Maintenance

Always check parts regularly for tightness of screws, nuts and other fasteners – tighten or replace if required. To maintain the safety of your high chair, seek prompt repairs for bent, torn, worn or broken parts. Use only those parts and accessories approved by **CNP Brands**.

If you have any difficulties in assembling the high chair, please contact our Service Department.

In Australia, contact **CNP Brands on 1300 667 137**, in New Zealand contact **Wainhouse Distribution on 0800 567 5000**.

### Warranty

For all warranty terms and conditions, please visit [cnpbrands.com.au](http://cnpbrands.com.au)



# CNP BRANDS<sup>®</sup>

CHILDCARE NURSERY PRODUCTS

## About CNP Brands

Currently, **CNP Brands** boasts one of the most diverse brand portfolios with a combination of company owned brands and distribution agreements.

Our own brands, including **Childcare**, have gone from strength to strength in recent years. **Childcare**, and our premium brand **bebe care**, demonstrate our commitment to quality and continuing investment in product development.





# CNP BRANDS®

CHILDCARE NURSERY PRODUCTS



Distributed in Australia by CNP Brands  
82 Maribyrnong Street, Footscray, VIC, 3011  
Customer Service 1300 667 137

**W:** [www.cnpbrands.com.au](http://www.cnpbrands.com.au)  
**E:** [info@cnpbrands.com.au](mailto:info@cnpbrands.com.au)  
**F:** [www.facebook.com/CNPBrands](https://www.facebook.com/CNPBrands)  
**I:** [@cnp\\_baby](https://www.instagram.com/cnp_baby)

Distributed in New Zealand by Wainhouse  
Distribution  
2-6 Argyle St, Morningside,  
PO Box 41-014,  
St Lukes, Auckland, New Zealand  
Customer Service: 0800 567 5000

**E:** [helpline@wainhousedist.co.nz](mailto:helpline@wainhousedist.co.nz)

