

Manufacturers & Distributors of Quality Stainless Steel Electric Grills

Electri - Chef®

FLAMELESS ELECTRIC GRILLS

4400-EC-448-I-D-32"



Grill Fully Assembled
(must install in island before use)

48" Island built by



Paradise Islands
YOUR GRILL'S OUTDOOR HOME

Electri-Chef® Grill shown with optional Rotisserie attachment



S.S. Cooking Grids



Cool-Touch Handle



Dual 10-60 Minute Timers

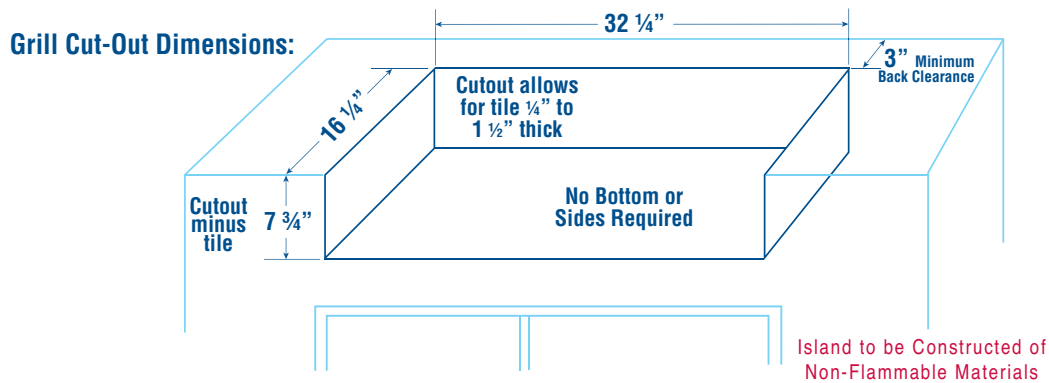
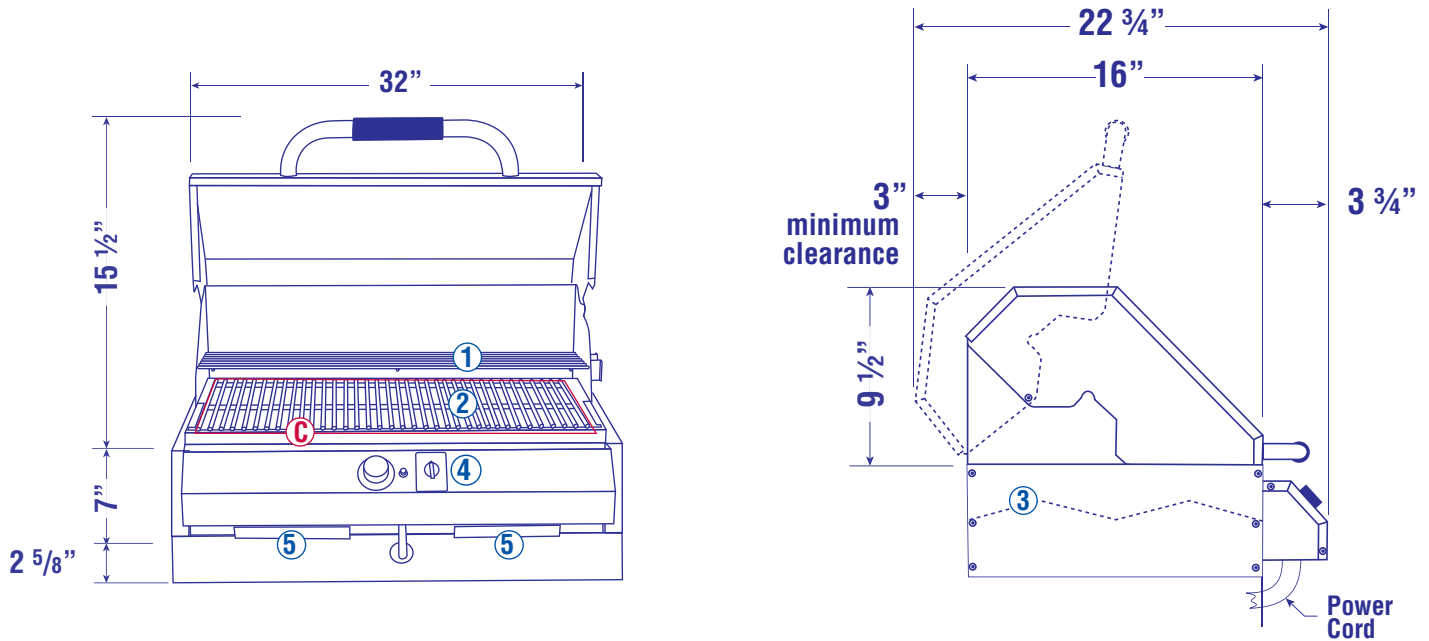
Built in Texas by Texans

See back for more information



No Open Flame

4400-EC-448-I-D-32"



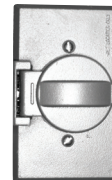
Standard Features

- 18 Gauge, 304 Stainless Steel, #3 Finish
- Grill Dimensions
 - 32" Wide
 - 16" Deep (Front to Back - requires 3" minimum clearance in back for open hood)
 - 15 1/2" High (top of counter to handle - open hood)
 - Adjustable Cooking Temperature from 150° - 600°
- Ⓒ Cooking Area 448 sq. in. (14" x 32")
- ① Stainless Steel Warming Rack
- ② Stainless Steel Cooking Grids (4)
(5/16" x 8" x 14" - fits in dishwasher)
- ③ Stainless Steel Heat-Flavor Plate
- ④ Dual 10-60 Minute Timers
- ⑤ Removable Grease Trays (2)

Required Outlet NEMA 6-30R Receptacle



208/220 Volt 30 Amp receptacle
50/60 Hz



w/ weathercap

Warranties

LIFETIME WARRANTED - The Stainless Steel Grill Assemblies and Cooking Grids of this product are warranted for the lifetime of the original consumer purchaser from the date of purchase, against defects in materials and workmanship.

1 YEAR WARRANTED - All other components, electrical or mechanical are warranted to the original consumer purchaser for a minimum of one (1) year from the date of purchase or the warranty time of the manufacture of the component, electrical or mechanical, whichever warranty time period is longer, against defects in materials and workmanship.



When only the best will do!



No Open Flame