



FLAME BOSS®

WIFI THERMOMETER MANUAL

WARNING: IMPORTANT SAFETY INSTRUCTIONS

It is important for the safety of persons to follow these instructions. Save these instructions. Follow all instructions, as incorrect usage can lead to injury or property damage.

Flame Boss Thermometer is intended for use only in dry locations, indoors or outdoors. Store the unit indoors in a dry location. If you know or suspect that the Flame Boss Thermometer has been submerged in water, do not use the unit. A USB adapter cable (USB Type A to USB Micro B) shall connect the Flame Boss Thermometer to a power supply.

Lithium ion batteries might cause damages like leaking, fire, or explosion when misused or defective. Failure to read and follow the below instructions may result in fire, injury, and damage to property if charged or used improperly.

Do not allow children to play with a Flame Boss Thermometer. Keep away from children.

Flame Boss Thermometer is not to be used by persons with reduced physical, sensory, or mental capabilities, or lack of experience and knowledge.

Do not place or mount a Flame Boss Thermometer where it is exposed to excessive heat from a grill, smoker, oven, etc.

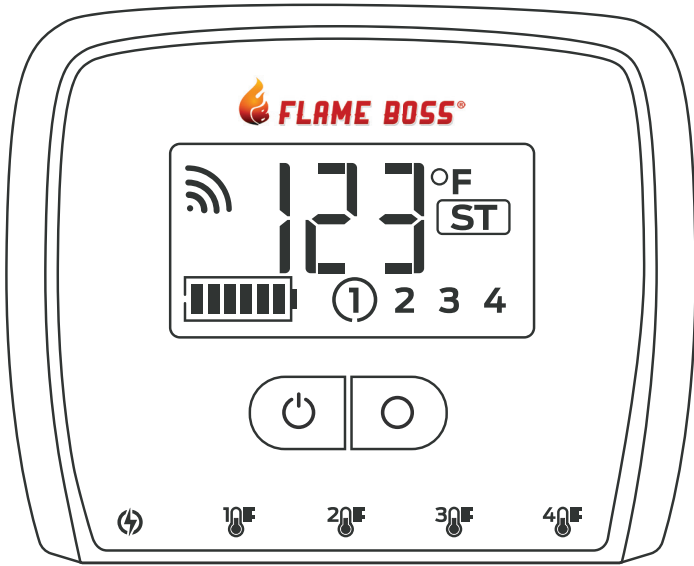
CONTENTS



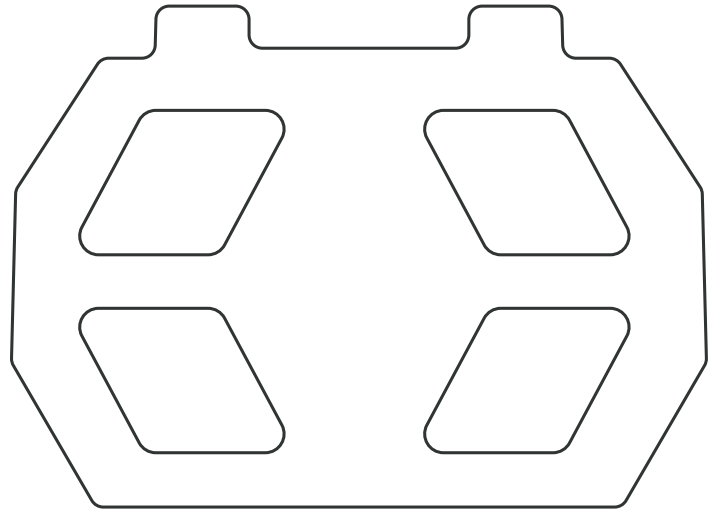
- 4** WHAT'S INCLUDED
- 5** INSTALL FLAME BOSS MOBILE APP
- 6** USING YOUR FLAME BOSS[®] WIFI THERMOMETER
- 9** PROBE PLACEMENT
- 11** WALL MOUNTING
- 12** AMAZON ALEXA & GOOGLE ASSISTANT

WHAT'S INCLUDED

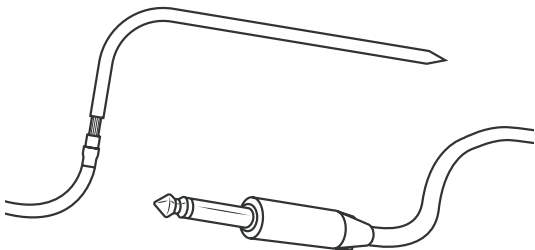
1 Flame Boss Thermometer



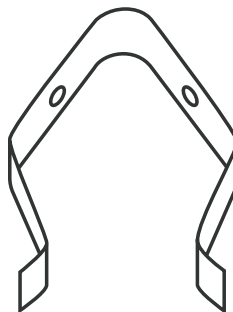
2 Probe Organizer (2)



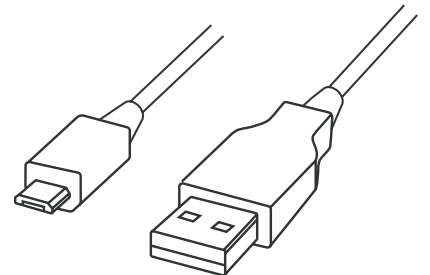
3 Multipurpose Probe (2)



4 Grate Clip

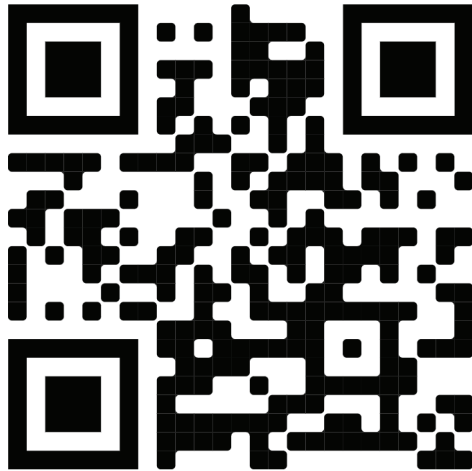


5 USB Adapter Cable



INSTALL FLAME BOSS MOBILE APP

OPEN THE CAMERA APP ON YOUR TABLET OR SMARTPHONE AND POINT IT HERE:



OR if you are unable to scan the code above, open the browser (Chrome or Safari, for example) on your tablet or smartphone and enter the following address: <https://myflameboss.com/app>

Follow the instructions in the Flame Boss App to add a device and set up WiFi.

USING YOUR FLAME BOSS® WIFI THERMOMETER



Flame Boss WiFi enabled devices will automatically install updated firmware when connected to the Internet. To find an updated manual that might include new features, click the Manuals link in the mobile apps

DISPLAY

The LCD home screen shows individual temperatures or up to 4 temperatures in rotation, battery life, WiFi connectivity strength, and connectivity mode.

LCD Home Screen

ST / AP

ST or AP

Indicates which mode the device is in (Station/Access Point).



WiFi Signal Strength

Individual arcs in WiFi symbol indicates connection strength.

AP

AP Indicator

Thermometer is in Access Point mode. If the AP indicator is solid, the thermometer is connected to your mobile device.

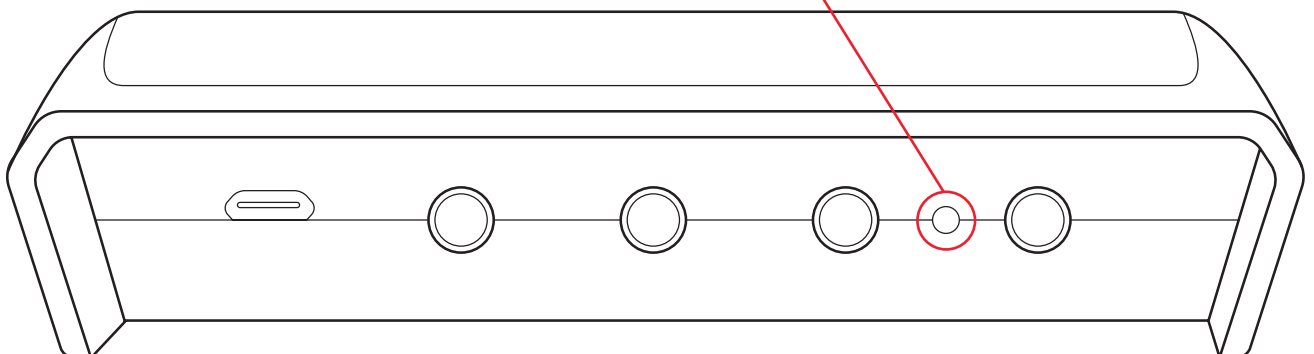
ST

ST Indicator

Thermometer is in Station mode. If the ST indicator is flashing, the thermometer is trying to connect to your WiFi network and Flame Boss server. If the ST indicator is solid, the thermometer is online and connected to the Flame Boss server.

Note: Pressing and releasing the Setup button will switch the thermometer between Station and Access Point modes.

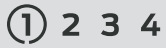
Pressing and holding the Setup button for at least 5 seconds will factory reset the thermometer.





F & C

Indicates Fahrenheit or Centigrade operation on the display. To change the temperature scale, click the Temp Scale button under the thermometer ID on the Controllers tab of the mobile app.



Probe Identifier

Indicates which temperature jacks are in use (by number). A circle around the probe number will appear when that temperature is displayed.



Lightning Bolt

Indicates that external power is connected/charging. Flashing → Charging | Solid → Fully Charged

FUNCTION



Power Button

Pressing the Power button turns thermometer on.

Pressing and holding the Power button for 3 seconds turns thermometer off.

Device is battery operated, but may be used while charging.

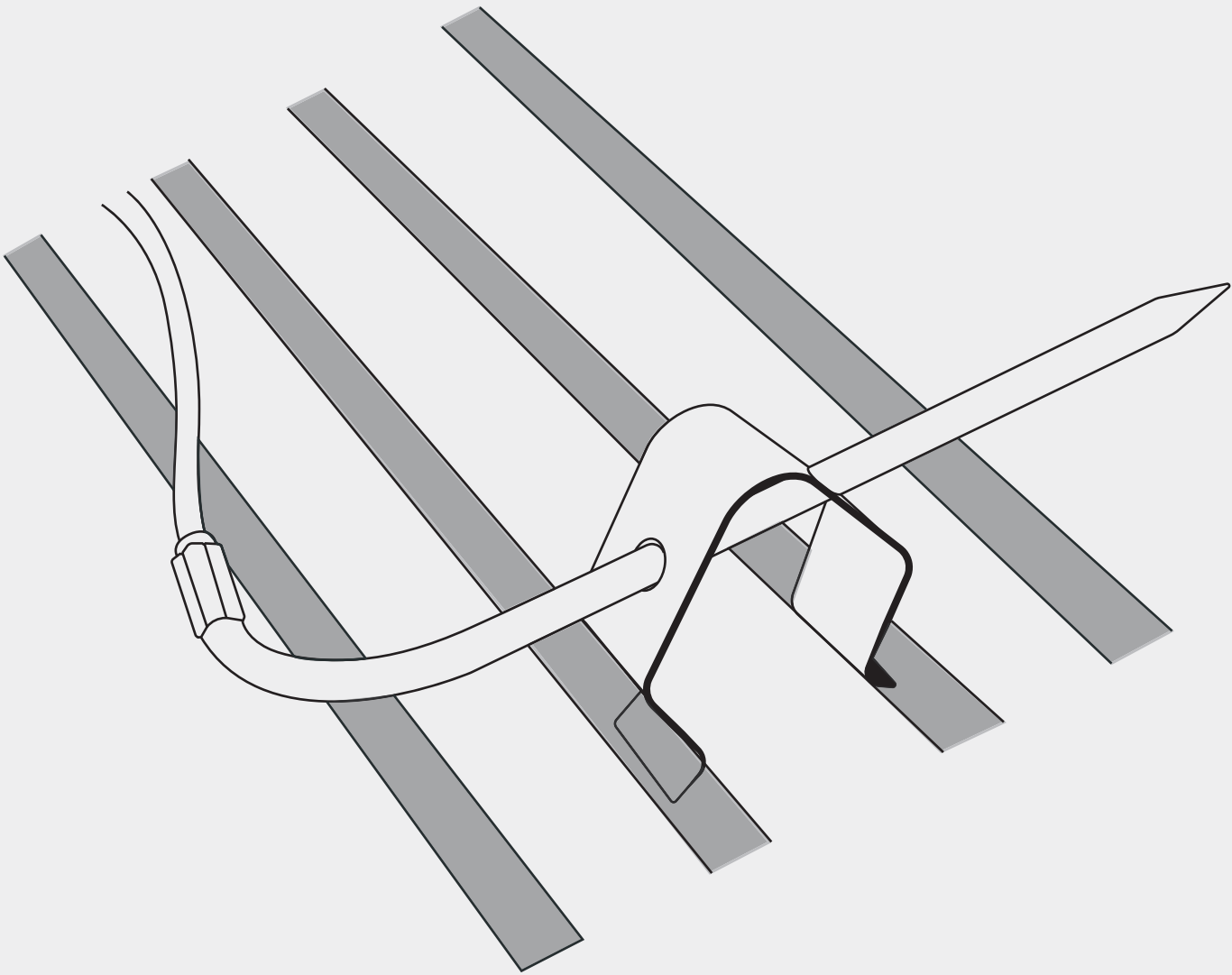


Select Button & Backlight

Pressing the Select button while the backlight is off will turn the backlight on for 30 seconds. If the backlight is on, pressing the Select button will manually rotate through the temperature readings if multiple probes are in use. The backlight will remain on when the thermometer is connected to the USB charger. By default, the temperature readings will change to the next probe every 3 seconds. Pressing and holding the Select button for at least 3 seconds will pause the display to hold on the current probe. To resume auto-rotating, press and hold the Select button for another 3 seconds.

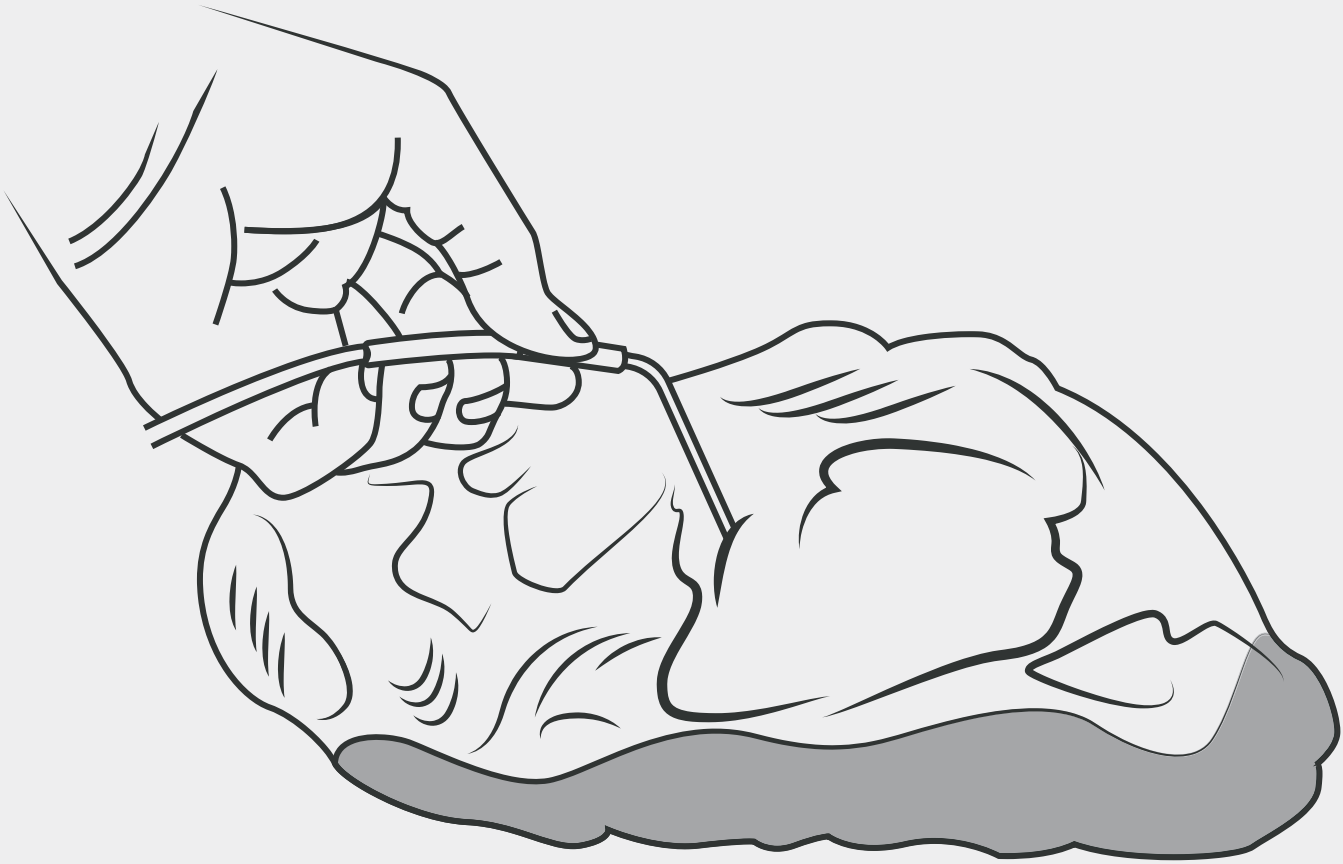
PROBE PLACEMENT – COOKING GRATE

Using the combination of the grate clip and probe, clip the probe into place in between grate.



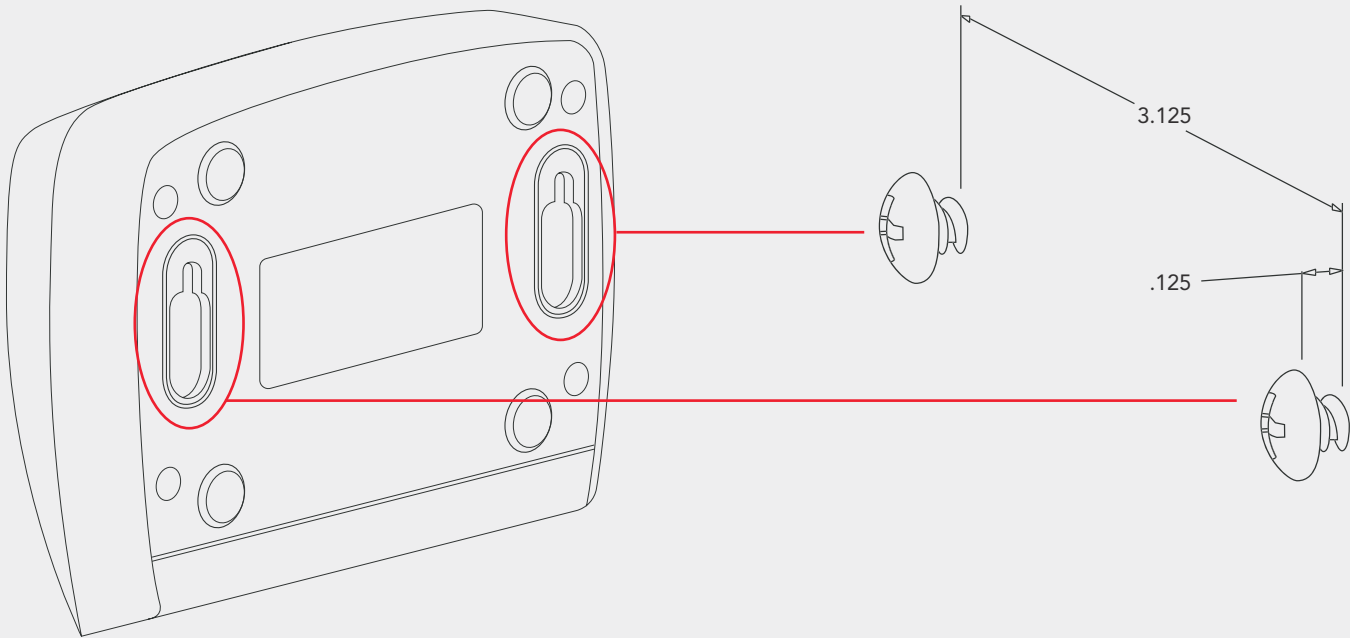
PROBE PLACEMENT – FOOD PROBE

Insert multipurpose probe into the thickest part of the meat avoiding any bone.



WALL MOUNTING (OPTIONAL)

The Flame Boss Thermometer may be hung on a vertical surface using two (2) #8 panhead screws spaced 3 1/8" apart. The screw heads must remain a minimum of 1/8" off the surface.



AMAZON ALEXA & GOOGLE ASSISTANT

Amazon Alexa Instructions

Download the Amazon Alexa application for your mobile device and sign into your Amazon account. Go to "Skills" on the Alexa app to search and enable the Flame Boss skill or simply speak to your Amazon Echo and say "Alexa, enable Flame Boss."

Now you can use a variation of the following voice commands:

Alexa, open Flame Boss

Alexa, ask Flame Boss for the temperatures

Alexa, ask Flame Boss for the Meat 1 temperature

Google Assistant Instructions

Download the Google Assistant or the Google Home application. Say a voice command using the Google Assistant app or simply speak to your Google Home using a variation of the following voice commands:

Ok Google, talk to Flame Boss

Ok Google, ask Flame Boss for the temperatures

Ok Google, ask Flame Boss for the Meat 2 temperature



This product contains ee_printf which includes the following notice:

Copyright ' 2002 Michael Ringgaard. All rights reserved.

Redistribution and use in source and binary forms, with or without modification, are permitted provided that the following conditions are met:

1. Redistributions of source code must retain the above copyright notice, this list of conditions and the following disclaimer.
2. Redistributions in binary form must reproduce the above copyright notice, this list of conditions and the following disclaimer in the documentation and/or other materials provided with the distribution.
3. Neither the name of the project nor the names of its contributors may be used to endorse or promote products derived from this software without specific prior written permission.

THIS SOFTWARE IS PROVIDED BY THE COPYRIGHT HOLDERS AND CONTRIBUTORS "AS IS" AND ANY EXPRESS OR IMPLIED WARRANTIES, INCLUDING, BUT NOT LIMITED TO, THE IMPLIED WARRANTIES OF MERCHANTABILITY AND FITNESS FOR A PARTICULAR PURPOSE ARE DISCLAIMED. IN NO EVENT SHALL THE COPYRIGHT OWNER OR CONTRIBUTORS BE LIABLE FOR ANY DIRECT, INDIRECT, INCIDENTAL, SPECIAL, EXEMPLARY, OR CONSEQUENTIAL DAMAGES (INCLUDING, BUT NOT LIMITED TO, PROCUREMENT OF SUBSTITUTE GOODS OR SERVICES; LOSS OF USE, DATA, OR PROFITS; OR BUSINESS INTERRUPTION) HOWEVER CAUSED AND ON ANY THEORY OF LIABILITY, WHETHER IN CONTRACT, STRICT LIABILITY, OR TORT (INCLUDING NEGLIGENCE OR OTHERWISE) ARISING IN ANY WAY OUT OF THE USE OF THIS SOFTWARE, EVEN IF ADVISED OF THE POSSIBILITY OF SUCH DAMAGE.