

Manufacturers & Distributors of Quality Stainless Steel Electric Grills

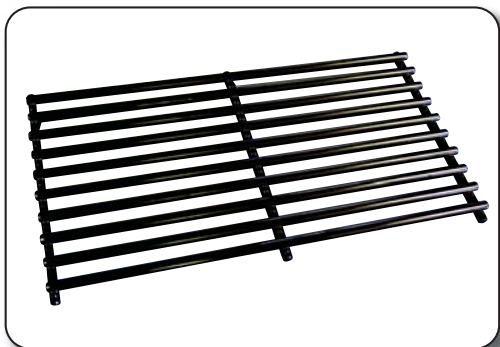
Electri - Chef®

FLAMELESS ELECTRIC GRILLS

8800-EC-1056-IM-D-48"



Grill Fully Assembled
(must install in island before use)



Porcelain Coated Cooking Grids



2 Cool-Touch Handles



Dual 10-60 Minute Timers

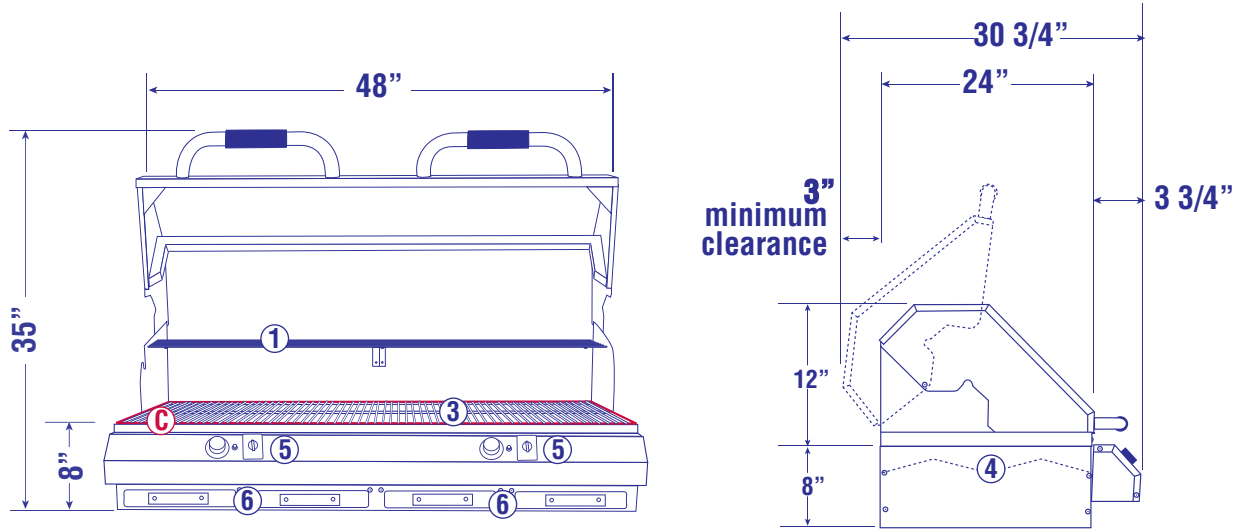
Built in Texas by Texans

See back for more information

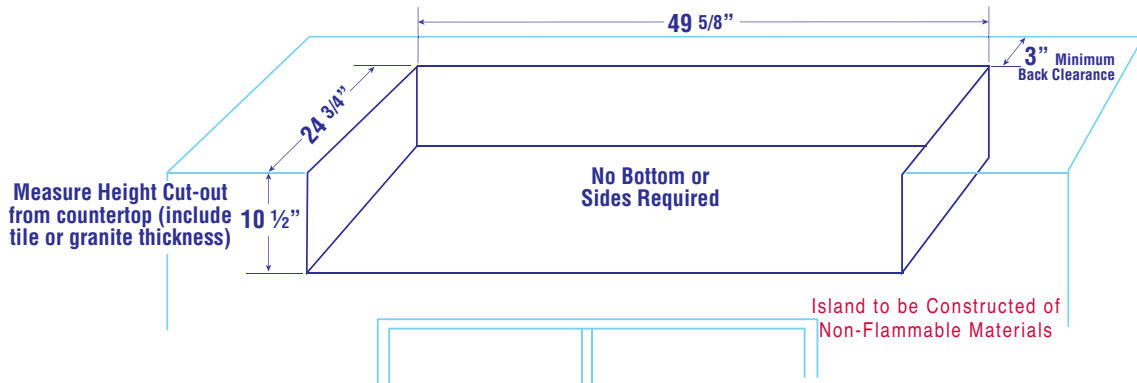


No Open Flame

8800-EC-1056-IM-D-48"



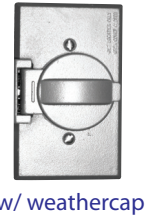
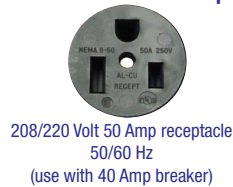
Grill Cut-Out Dimensions:



Standard Features

- 18 Gauge, 304 Stainless Steel, #3 Finish
- Grill Dimensions
 - 48" Wide (Left to Right)
 - 24" Deep (Front to Back - requires 3" minimum clearance in back for open hood)
 - 12" High from Countertop (27" with lid open)
- Adjustable Cooking Temperature from 150° - 600°
- Ⓒ Cooking Area 1056 sq. in. (22" x 48")
- ① Stainless Steel Warming Rack (2)
- ② Porcelain Coated Cooking Grids (4)
- ③ Stainless Steel Heat-Flavor Plate
- ④ Dual 10-60 Minute Timers
- ⑤ Removable Grease Trays (4)
- Grills have 1/2" insulation on sides and back

Required Outlet NEMA 6-50R Receptacle



Warranties

LIFETIME WARRANTED - The Stainless Steel Grill Assemblies and Cooking Grids of this product are warranted for the lifetime of the original consumer purchaser from the date of purchase, against defects in materials and workmanship.

1 YEAR WARRANTED - All other components, electrical or mechanical are warranted to the original consumer purchaser for a minimum of one (1) year from the date of purchase or the warranty time of the manufacture of the component, electrical or mechanical, which ever warranty time period is longer, against defects in materials and workmanship.



When only the best will do!



No Open Flame