

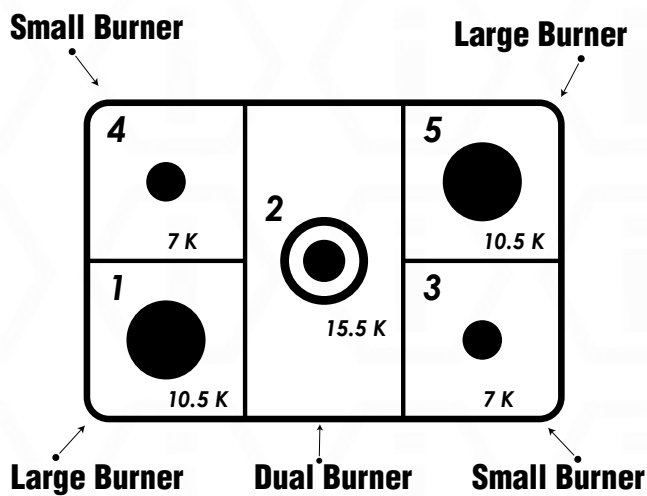
# PROFESSIONAL PLUS

*Professional Plus immediately states its vocation as a range, designed and made for the most demanding, skilled user. Its professional look is enhanced by its steel frame, offering burners rated up to 15,500 BTU/h. It is a fully fledged professional range for the domestic market.*



**UPW76DV**
*30" Freestanding Gas Range with 5 Sealed Burners*


| COOKTOP          |                              |
|------------------|------------------------------|
| Fuel Type        | Natural Gas / Liquid Propane |
| Burners/Elements | 5 Sealed Burner              |
| Surface          | Deep Recessed Cooktop        |
| Control          | Knobs on Front Side          |
| Grate Type       | Cast Iron Grate              |



| Oven                      |  |
|---------------------------|--|
| Fuel                      | Gas Oven                               |
| Door Type                 | Removable Triple Layer Glass Door      |
| Convection                | Yes                                    |
| Control Type              | Knobs                                  |
| Cleaning Type             | Catalytic Oven Panel (Sold Separately) |
| Light(s)                  | Yes                                    |
| Rack Holders              | Plain                                  |
| Soft Close Door           | No                                     |
| Broiler                   | Yes                                    |
| Child Safety Lock         | No                                     |
| Timer                     | Yes                                    |
| Built-in Thermostat       | Yes                                    |
| Internal Food Thermometer | No                                     |

| INCLUDED       |     |
|----------------|-----|
| Range Hood     | No  |
| Power Cord     | Yes |
| Grates         | Yes |
| Griddle        | No  |
| Legs           | Yes |
| Backsplash     | Yes |
| Conversion Kit | Yes |
| Oven Racks     | Yes |
| Oven Trays     | Yes |
| Rotisserie     | Yes |
| Gas Regulator  | Yes |
| User Manual    | Yes |

| POWER             |                        |
|-------------------|------------------------|
| Voltage           | 120 Volts              |
| Amperage          | 15 Amps                |
| Hertz             | 60 Hertz               |
| Power Cord Type   | Plug In - 3 prong      |
| Power Cord Length | 45 11/16 inch / 116 cm |

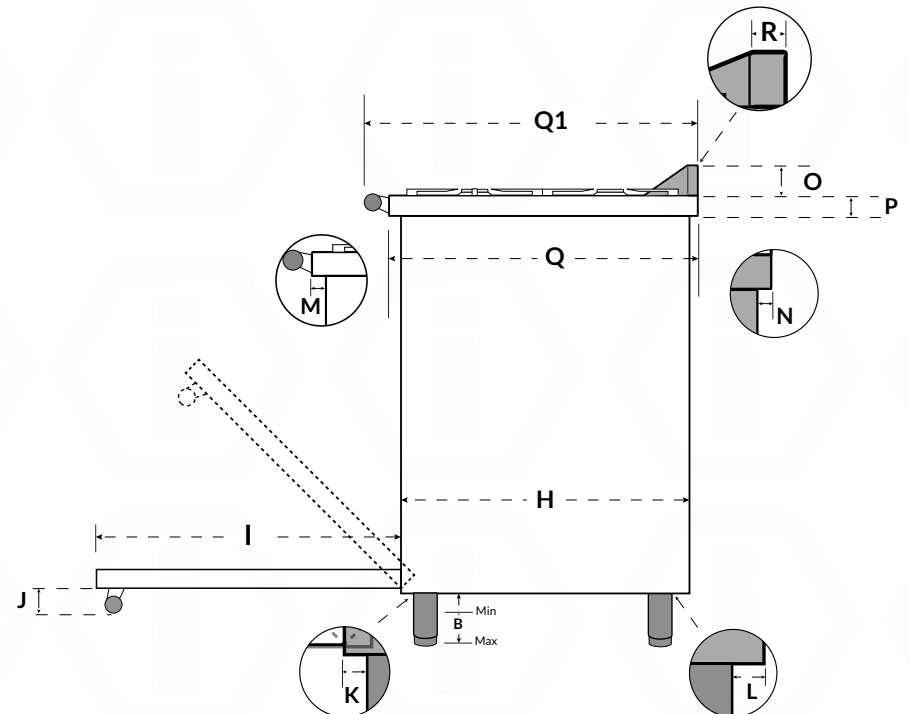
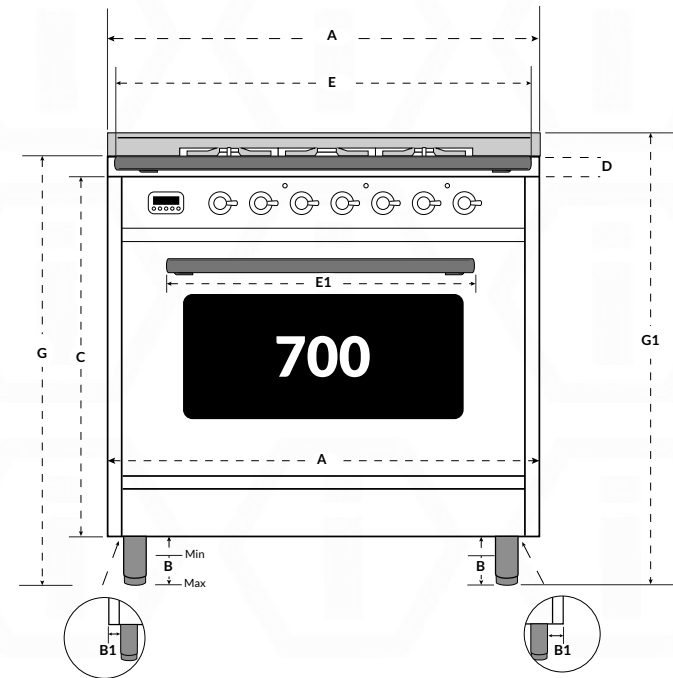
| MISCELLANEOUS       |   |
|---------------------|---|
| Warranty            | 2 Years Limited Warranty                          |
| Range Weight        | 209 lbs   |
| Shipping Weight     | 229 lbs   |
| Shipping Dimensions | 31 8/16 inch W x 33 15/16 inch H x 29 8/16 inch D |

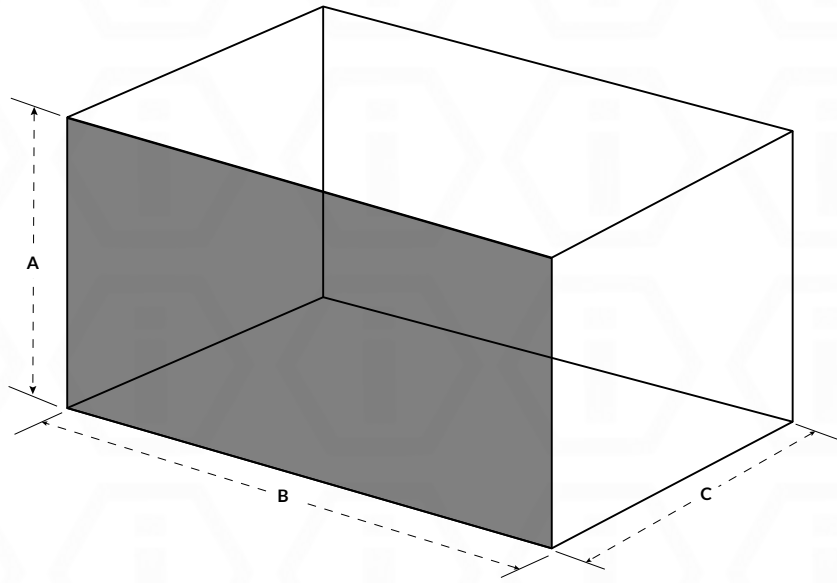
| OVERALL DIMENSION                     |                          |
|---------------------------------------|--------------------------|
| Overall Width (A)                     | 29 15/16 inch / 76 cm    |
| Overall Height without Backsplash (G) | 39 9/16 inch / 100.5 cm  |
| Overall Height with Backsplash (G1)   | 45 8/16 inch / 115.5 cm  |
| Overall Depth without Handles (Q)     | 23 10/16 inch / 60.08 cm |
| Overall Depth with Handles (Q1)       | 26 2/16 inch / 66.3 cm   |

| COOKTOP                                |                         |
|--|-------------------------|
| Cooktop Width (A)                      | 29 15/16 inch / 76 cm   |
| Cooktop Height (D) (P)                 | 1 9/16 inch / 4 cm      |
| Overall Depth without Handles (Q)      | 23 10/16 inch / 60 cm   |
| Overall Depth with Handles (Q1)        | 26 2/16 inch / 66.3 cm  |
| Cooktop Front Lip Depth over Range (M) | 9/16 inch / 1.5 cm      |
| Cooktop Back Lip Depth over Range (N)  | 1 6/16 inch / 3.5 cm    |
| Cooktop Handrail Length (E)            | 28 15/16 inch / 73.5 cm |

| RANGE BODY                         |   |
|------------------------------------|---|
| Range Width (A)                    | 29 15/16 inch / 76 cm   |
| Range Height (C)                   | 27 15/16 / 71 cm  |
| Range Depth (H)                    | 21 10/16 / 55 cm  |
| Handle Length (E1)                 | 21 1/16 inch / 53.5 cm  |
| Handle Length (E2) (if applicable) | ----- / -----   |
| Backsplash Width (A)               | 29 15/16 inch / 76 cm   |
| Backsplash Height (O)              | 5 15/16 inch / 15 cm  |
| Backsplash Depth (R)               | 11/16 inch / 1.7 cm   |
| Power Cord Start Position          | From range's rear exterior bottom - 9 7/16 / 24 cm; From range's rear exterior left - 5 14/16 / 15 cm |
| Gas Connector Position             | From range's rear exterior bottom - 3 9/16 / 9 cm; From range's rear exterior right - 7 8/16 / 19 cm  |

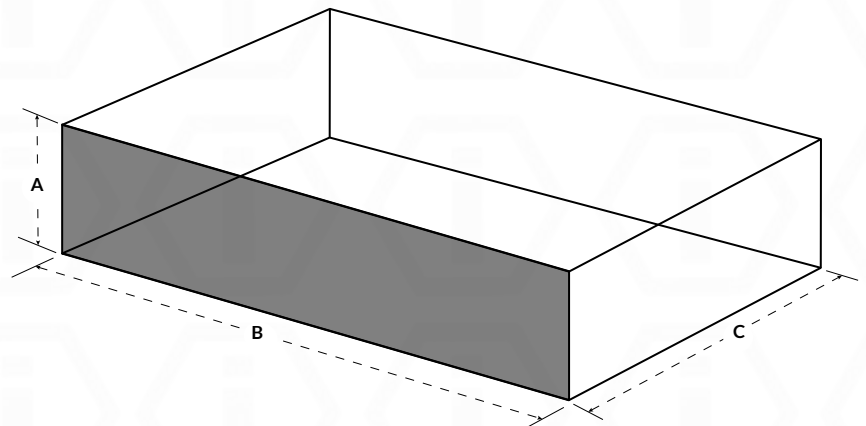
| LEGS                         |                        |
|------------------------------|------------------------|
| Range Leg Type               | 4 / Cylinder Leg       |
| Range Leg Min Height (B min) | 6 2/16 inch / 15.5 cm  |
| Range Leg Max Height (B max) | 10 1/16 inch / 25.5 cm |
| Depth From Side (B1)         | 8/16 inch / 1.2 cm     |
| Depth From Front (K)         | 1 10/16 inch / 4.2 cm  |
| Depth From Back (L)          | 8/16 inch / 1.2 cm     |





| <b>MAIN OVEN</b>                       |                        |
|--|------------------------|
| Capacity                               | 2.7 cu.ft.             |
| True European Convection               | Yes                    |
| 90° Open Door Depth                    | 15 6/16 inch / 39 cm   |
| Interior Height (Actual) <b>(A)</b>    | 10 7/16 inch / 26.5 cm |
| Interior Width (Actual) <b>(B)</b>     | 21 4/16 inch / 41 cm   |
| Interior Depth (Actual) <b>(C)</b>     | 16 2/16 inch / 54 cm   |
| Interior Width (Usable)                | 19 8/16 inch / 49.5 cm |
| Interior Height (Usable)               | 10 7/16 inch / 26.5 cm |
| Interior Depth (Usable)                | 16 2/16 inch / 41 cm   |
| Height between Rack                    | 1 9/16 inch / 4 cm     |
| Height between lowest and highest rack | 7 14/16 inch / 20 cm   |
| Lights                                 | 1 LED                  |
| Broiler                                | 900W                   |
| Racks / Trays                          | 2 Racks / 1 Tray       |
| Rotisserie                             | Yes                    |

| <b>STORAGE</b>    |                         |
|-------------------|-------------------------|
| Type              | Storage                 |
| Height <b>(A)</b> | 3 2/16 inch / 8 cm      |
| Width <b>(B)</b>  | 21 14/16 inch / 55.5 cm |
| Depth <b>(C)</b>  | 16 2/16 inch / 41 cm    |



AVAILABLE COLORS

CLICK COLORS  
TO SEE VARIATIONS

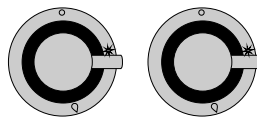
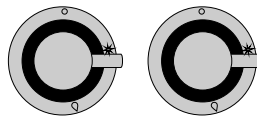
\*Colors are available for every range.

TRIMS & HARDWARE OPTIONS

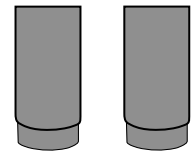
HANDRAILS

KNOBS

LEGS



STANDARD

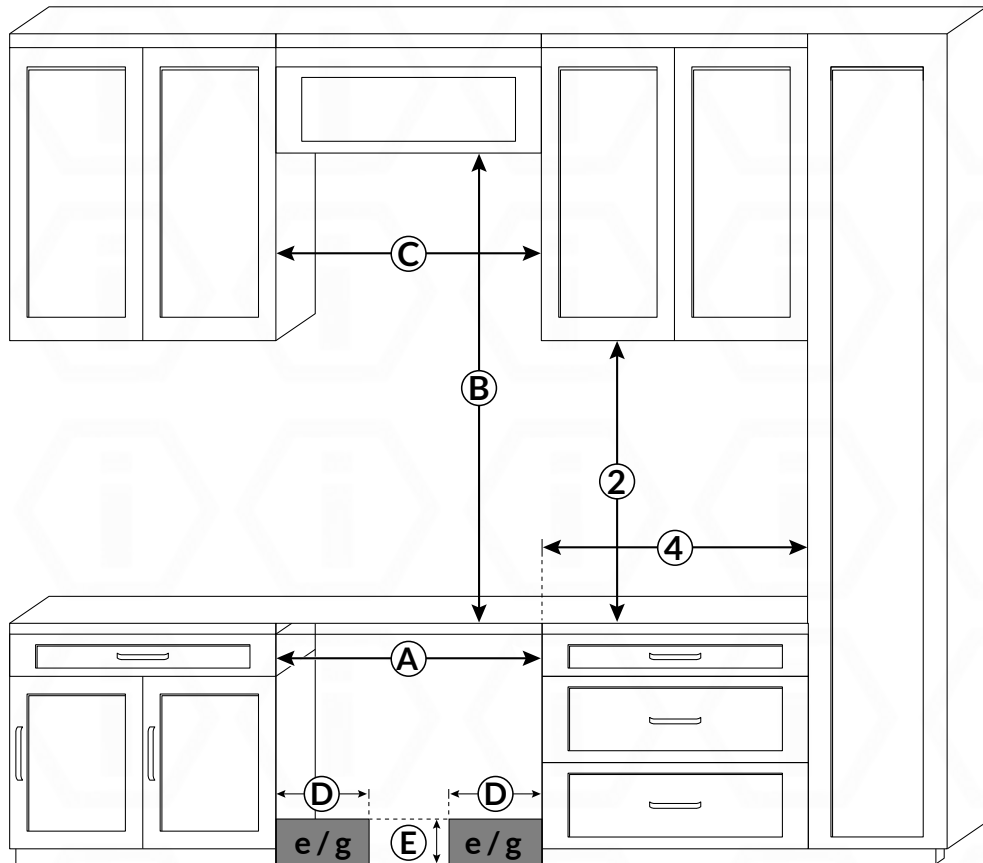
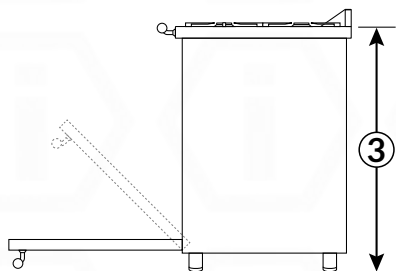
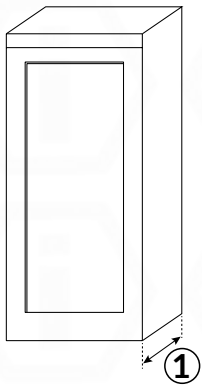


OPTIONAL \*Sold Separately



Decorative Scroll Claw Legs

| DIMENSIONS  | DESCRIPTION  |
|---|--|
| <b>1</b> 14 inch / 336 mm                         | Recommended depth of top cabinet   |
| <b>2</b> 18 inch / 547 mm                         | Minimum distance from countertop to bottom edge of cabinet   |
| <b>3</b> 35 1/2 inch-37 inch / 901mm-940 mm       | Distance from the floor to cooktop surface   |
| <b>4</b> 12 inch / 305 mm                         | Minimum cabinet distance to cooktop surface  |
| <b>A</b> 30 inch / 76.20 cm                       | Width of cabinet opening   |
| <b>B</b> 28 inch / 71.12 cm to 32 inch / 81.28 cm | Minimum distance between the top of the cooking surface and bottom of a range hood (check the hood's spec sheet for details) |
| <b>C</b> 30 inch / 76.20 cm                       | Width of the hood area   |
| <b>D</b> Approx. 10 13/16 inch / 274 mm           | Maximum distance for utility connection from either side   |
| <b>E</b> Approx. 4 1/2 inch / 115 mm              | Maximum connection height from floor   |
| <b>G</b> Approx. 2 13/16 inch / 72 mm             | Maximum connection depth from floor  |



The shaded area represents the installation area for the connections  
 e = Electrical connection  
 g = Gas connection

One fuel type per side

FOLLOW US ON SOCIAL MEDIA

