

ILVE S.p.a.

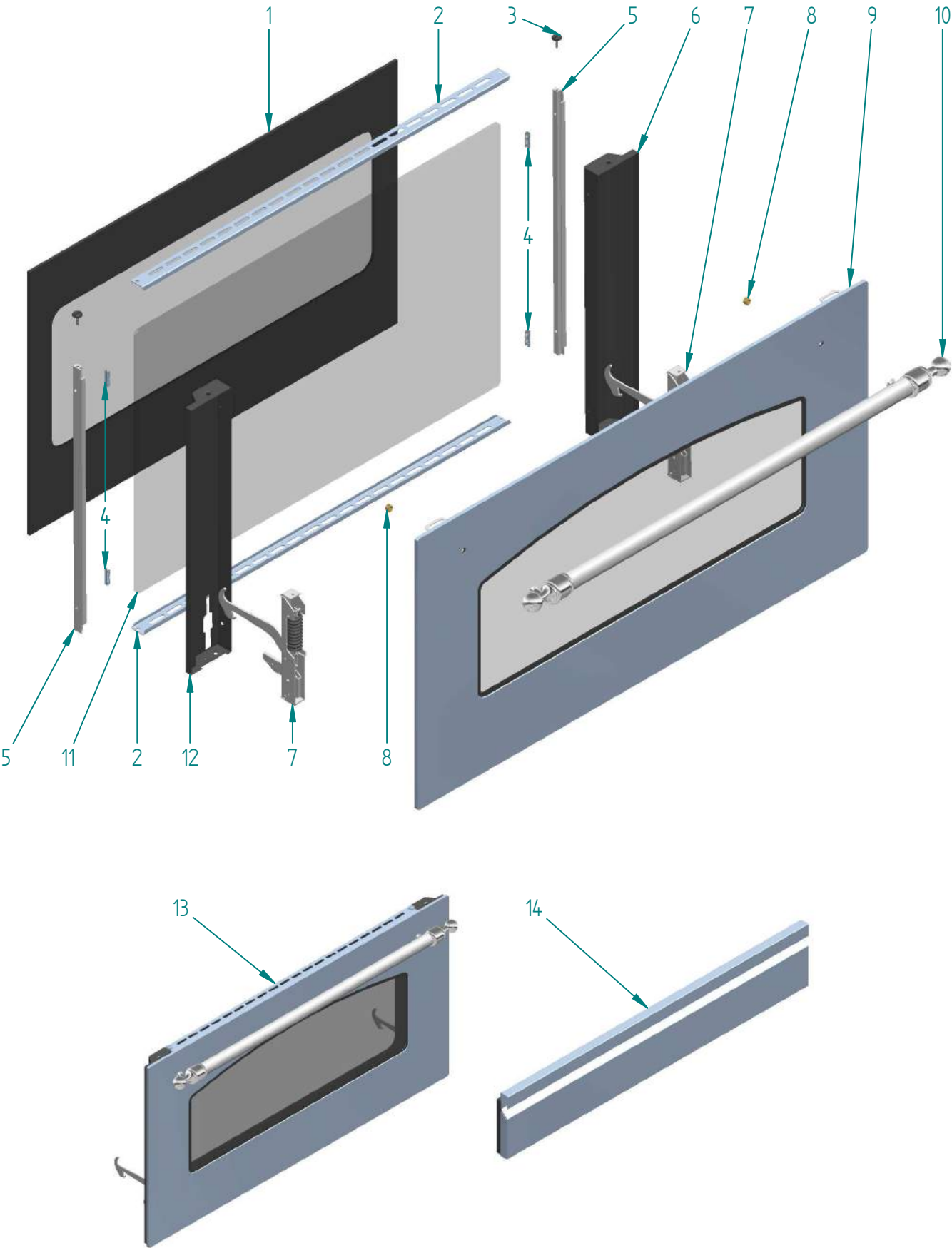
UP_90FMP

UPN90MP

08/03/2010



i ILVE
the art of cooking



<i>dis.</i>	<i>cod.</i>	<i>descrizione</i>	<i>description</i>
1	A/504/86/86	VETRO INTERNO PORTA 900 TR VETRO	INNER DOOR GLASS
2	S/120/06/08	FERMAVETRO PO 80/90 TR VET INOX USA	GLASS STOP
3	A/602/02	VITE ZIGR FERMAV/FERMAGR LAT FORNO	KNURLED SCREW FOR HOLDING GLASS /SIDE GRILLS FO.
4	A/402/13	MOLLA (CLIP FISSAGGIO) VETRO INTERMEDIO	SPRING
5	A/445/23	PROFILO GUIDA TRIPLO VETRO PORTA	PROFILE
6	S/022/28/14	CONTROPORTA FO 600/800 LAT DX NERO	RIGHT INSIDE DOOR FOR 60/80 OVEN
7	A/028/45	CERNIERA POR FO 90 3V (FARINGOSI)	3 GLASSES 90CM OVEN DOOR HINGE
8	A/065/00	DISTANZIALE OT H=5,5 MANIGLIA POR TA	BRASS SPACER FOR HANDLE
9	G/505/09/00	VETRO+PO 900N 3V BIANCO	900N DOOR GLASS / WHITE
9	G/505/09/01	VETRO+PO 900N 3V BIANCO ANTICO	900N DOOR GLASS / OLD WHITE
9	G/505/09/08	VETRO+PO 900N 3V INOX	900N DOOR GLASS / ST ST
9	G/505/09/10	VETRO+PO 900N 3V MAT	900N DOOR GLASS / MATT
9	G/505/09/52	VETRO+PO 900N 3V ROSSO BORG	900N DOOR GLASS / BURGUNDY
9	G/505/09/54	VETRO+PO 900N 3V BLU NOTTE	900N DOOR GLASS / MID BLUE
10	A/116/27/08	MAN/CORRIM CROMO MAJEST D=22 l=625	MAJESTIC CHROME HANDLE D=22 l=625
11	A/504/86/85	VETRO INTERM PORTA 900 TR VETRO	DOOR GLASS
12	S/022/29/14	CONTROPORTA FO 600/800 LAT SX NERO	LEFT INSIDE DOOR FOR 60/80 OVEN
13	UG/774/00/08	PORTA COMPL 3V UPN90 BIANCO-CROMO	TRIPLE GLASS 90 CM DOOR / WHITE-CH
13	UG/774/01/08	PORTA COMPL 3V UPN90 BIAN ANT-CRO	TRIPLE GLASS 90 CM DOOR / OLD WH-CH
13	UG/774/08/08	PORTA COMPL 3V UPN90 INOX-CROMO	TRIPLE GLASS 90 CM DOOR / ST ST-CH
13	UG/774/10/08	PORTA COMPL 3V UPN90 MAT-CROMO	TRIPLE GLASS 90 CM DOOR / MATT-CH
13	UG/774/52/08	PORTA COMPL 3V UPN90 ROSSO BOR-CRO	TRIPLE GLASS 90 CM DOOR / BURG-CH
13	UG/774/54/08	PORTA COMPL 3V UPN90 ROSSO BLU-CRO	TRIPLE GLASS 90 CM DOOR / M BLUE-CH
14	G/081/00	FRONTALE COMPL CASS P90 PLUS BIANCO	P90 PLUS DRAWER FRONT / WHITE
14	G/081/01	FRONTALE COMPL CASS P90 PLUS BI ANT	P90 PLUS DRAWER FRONT / OLD WHITE
14	G/081/08	FRONTALE COMPL CASS P90 PLUS INOX	P90 PLUS DRAWER FRONT / ST ST
14	G/081/10	FRONTALE COMPL CASS P90 PLUS MAT	P90 PLUS DRAWER FRONT / MATT
14	G/081/52	FRONTALE COMPL CASS P90 PLUS RO BOR	P90 PLUS DRAWER FRONT / BURGUNDY
14	G/081/54	FRONTALE COMPL CASS P90 PLUS BLU	P90 PLUS DRAWER FRONT / MIDN BLUE

%{TitoloE

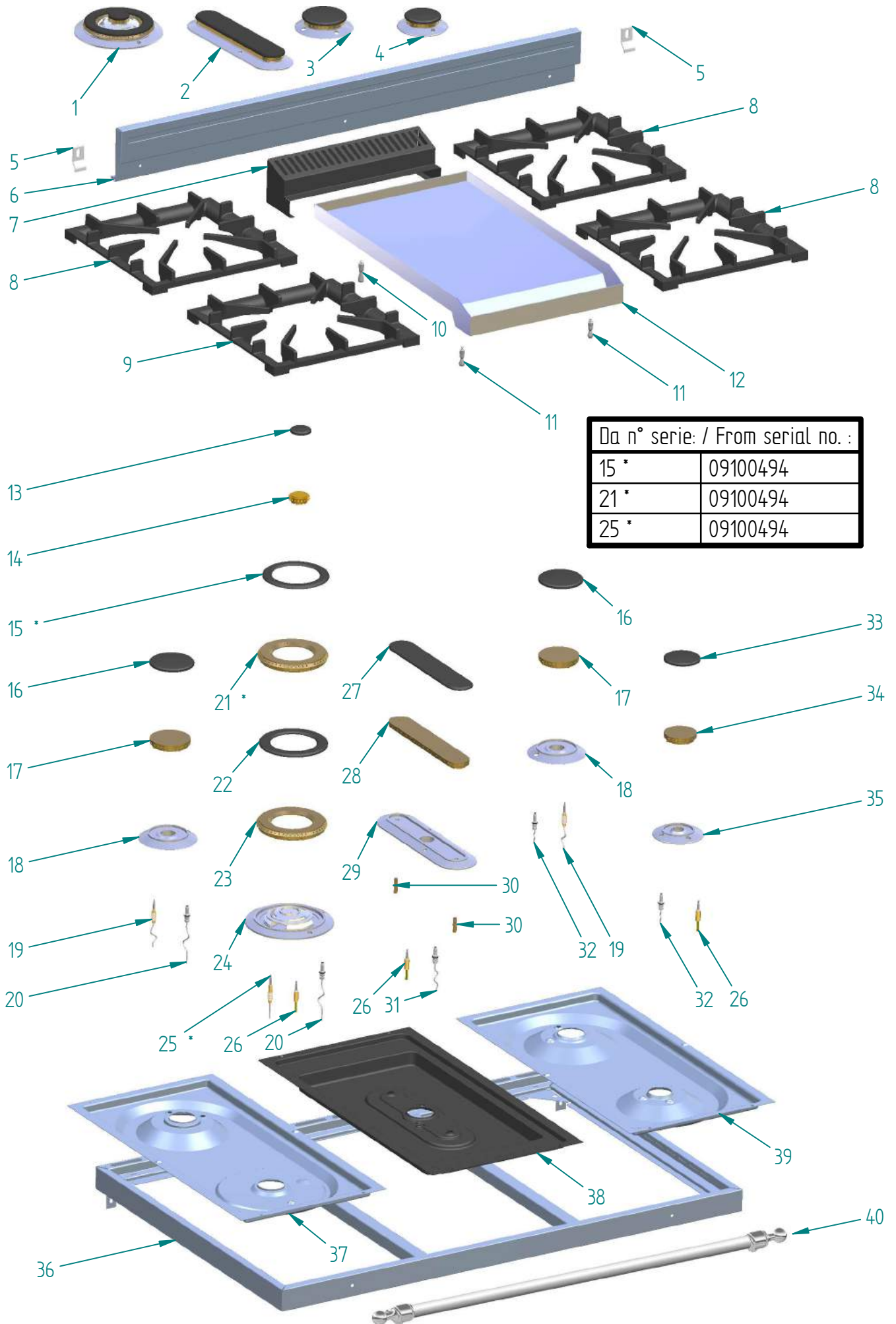
Tav.-2-

ILVE S.p.a.

UP_90FMP

UPL90FMP - UPW90FMP - UPF90FMP

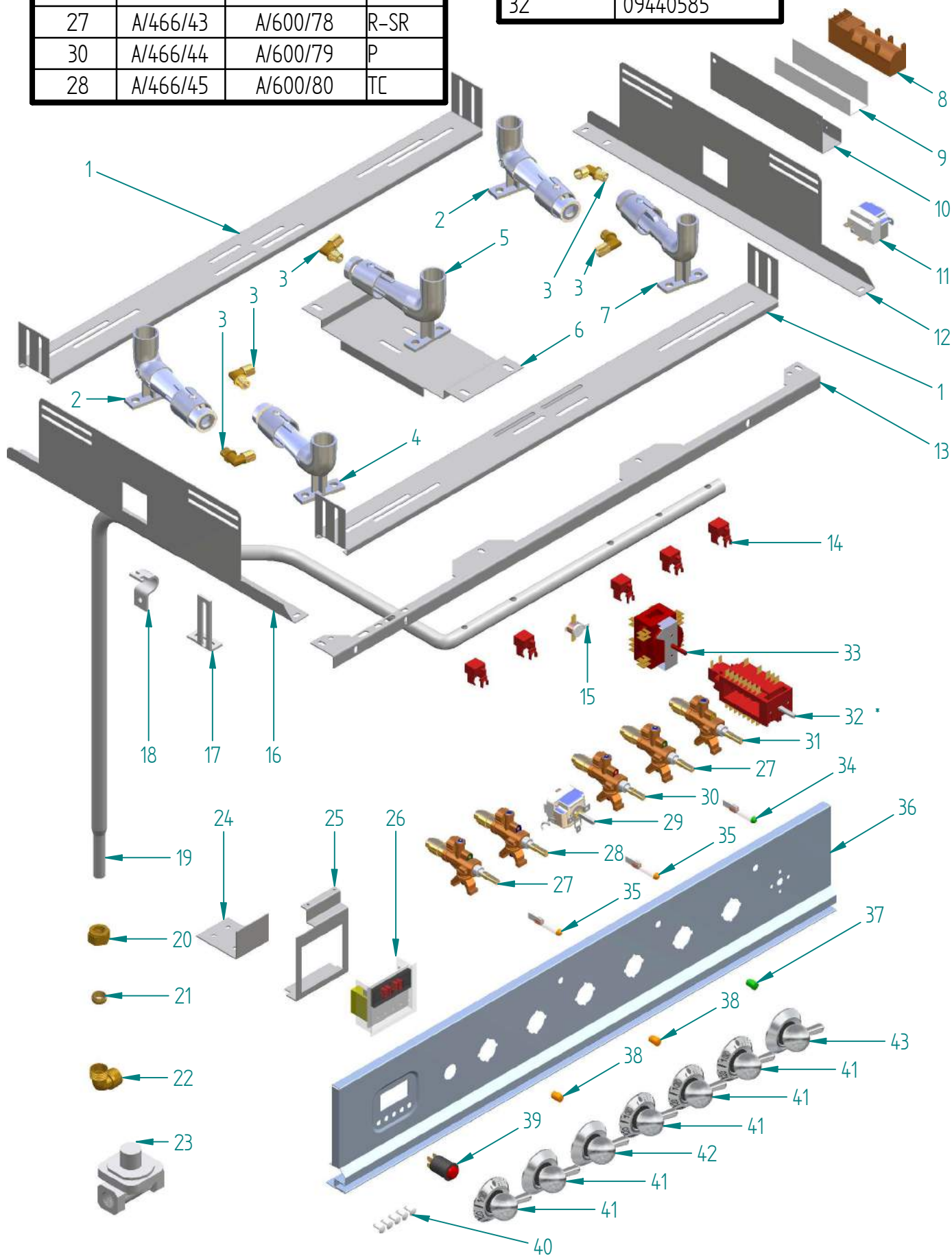
08/03/2010



<i>dis.</i>	<i>cod.</i>	<i>descrizione</i>	<i>description</i>
1	KBR001	KIT BRUC TRIPLA CORONA 2 FORI	COMPLETE TR RING BURNER (2 HOLES)
2	KBR002	KIT BRUC PESCIERA 2 FORI	COMPLETE FISH BURNER (2 HOLES)
3	KBR003	KIT BRUC RAP PIANO/CUC PROF 2 FORI	COMPLETE RAPID BURNER (2 HOLES)
4	KBR004	KIT BRUC SEM RAP PIA/CUC PRO 2 FORI	COMPLETE SMALL RAPID BURN (2 HOLES)
5	S/232/45	SQUADRETTA FERMA CUCINA	BRACKET
6	S/002/29	ALZATINA CUCINA USA P-PD90 INOX	SPLASH BACK
7	S/008/33/14	CAMINETTO FRY TOP PROFESS SMALT	FRY TOP CHIMNEY
8	A/092/78/10	GRIGLIA PROFESS 60 FORO 80 285X280 VETR	PROFESSIONAL GRILL HOB/COOK. 60 CM (1 HOLE 80 MM)
9	A/092/80/10	GRIGLIA PROFESS 60 FORO 120 285X280VETR	PROFESSIONAL GRILL HOB/COOK. 60 CM (1 HOLE 120 MM)
10	A/414/06	PERNO LUNGO INN PIA(INC/COMB)+FRY T	LONG COOKTOP PIN
11	A/414/04	PERNO CORTO INN PIA (APP)+FRY TOP	SHORT COOKTOP PIN
12	A/419/01	PIASTRA FRY TOP PROFESSIONAL	FRY TOP PLATE
13	A/048/07/10	COPRISPART TC AUX RAF MAT 3F	TRIPLE RING BURNER SMALL COVER
14	A/478/17	SPARTIFIAMMA TC AUSILIARIO +INDEX	TR RING SMALL FLAME DIVIDER (INDEX)
15	A/048/09/10	COPRISPART TC GR 1V/DUAL RAF MAT 3F	TRIPLE RING FLAME DIVIDER COVER
16	A/048/02/10	COPRISPART GRANDE (S2) RAF MAT 3F	LARGE FLAME DIFFUSER COVER
17	A/478/12/90	SPARTIFIAMMA GRANDE	NEW LARGE FLAME DIFFUSER
18	A/488/11/91	TAZZINA P C GRANDE (2 FORI)	HOB COOKER LARGE CUP+IGN+S.V. HOLES
19	A/490/17	TERMOCOPPIA FLEX 70CM M8X1	THERMOCOUPLE 70
20	A/018/06	CANDELA ACC.(CAVO=MM800 H=MM28)	IGNITION PLUG MM 800
21	A/478/19	SPARTIFIAMMA TC GRANDE 1 V/DUAL	DUAL TRIPLE RING BIG FLAME DIVIDER
22	A/048/00/10	COPRISPART TC GHISA GRANDE VETR	TRIPLE RING FLAME DIVIDER COVER
23	A/478/07	SPARTIFIAMMA TC GRANDE	NEW TRIPLE RING BIG FLAME DIVIDER
24	A/488/23	TAZZINA TC (2 FORI)	TRIPLER RING CUP+IGN+S.V. HOLES
25	A/490/19	TERMOCOPPIA TC 45CM M8X1 BIFIL	THERMOCOUPLE 45
26	A/490/03	TERMOCOPPIA FLEX 45CM M8X1	THERMOCOUPLE 45
27	A/048/04/10	COPRISPART PESCIERA RAF MAT 3F	FISH BURNER FLAME DIFFUSER COVER
28	A/478/08	SPARTIFIAMMA PESCIERA	FISH BURNER BRASS FLAME DIFFUSER
29	A/488/13	TAZZINA PESCIERA (2 FORI)	FISH BURNER CUP+IGN+S.V. HOLES
30	A/602/42	VITE PESCIERA 8X26XM6 OTTONE	RETAINING SCREW FOR FISH BURNER
31	A/018/04	CANDELA ACC.(CAVO=MM600 H=MM28)	IGNITION PLUG MM 600
32	A/018/02	CANDELA ACC.(CAVO=MM400 H=MM28)	IGNITION PLUG MM 400
33	A/048/06/10	COPRISPART PICCOLO (S1) RAF MAT 3F	SMALL FLAME DIFFUSER COVER
34	A/478/12/92	SPARTIFIAMMA PICCOLO	NEW SMALL FLAME DIFFUSER
35	A/488/11/93	TAZZINA P C PICCOLA (2 FORI)	HOB COOKER SMALL CUP+IGN+S.V. HOLES
36	S/238/85/08	TELAIO PIANO CUC USA P-PD90BVF INOX	FRAME FOR P90 PD90 USA / ST.ST.
37	S/216/13/08	RACCOGLIG P60-P665 1F+TC INOX	DRIP CATCHER 1 RING + DOUBLE RING P60-P665-PD90B
38	S/216/16/14	RACCOGLIG FRY TOP SMALT NERO	DRIP CATCHER FOR PROFESS FRY TOP
39	S/216/12/08	RACCOGLIG P60-P665 2F INOX	DRIP CATCHER 2 RINGS P60 P665 PD90B
40	AMC-90X	CORRIMANO FRONTALE M90 CROMO I=740	CHROME HANDRAIL

LPG APPLIANCES			
DRAW	VALVE	BY PASS SCREW	
31	A/466/57	A/600/77	SR
27	A/466/43	A/600/78	R-SR
30	A/466/44	A/600/79	P
28	A/466/45	A/600/80	TC

Da n° serie: / From serial no. :
 32 * 09440585



<i>dis.</i>	<i>cod.</i>	<i>descrizione</i>	<i>description</i>
1	S/149/06	LISTELLO PORTABR P90-P90B-P906	BURNERS HOLDER FOR P90-P90B-P90_6
2	A/014/12/90	BRUCIATORE PIPA GRANDE (H=94)	BIG BURNER (H=94)
3	A/434/04	PORTAINIETT A GOMITO GRILL/FUOCHI	INJECTOR HOLDER GRILL/COOKTOP
4	A/014/12/92	BRUCIATORE PIPA GRANDE (H=80) TC PROFESSIONAL	BIG BURNER (H=80MM)
5	A/014/12/93	BRUCIATORE PIPA GRANDE (H=86) PESCIERA PROFESSIONAL	BIG BURNER (H=86MM)
6	S/149/42	LISTELLO PORTABR FRY TOP	STRIP
7	A/014/12/91	BRUCIATORE PIPA PICCOLO (H=94)	SMALL BURNER (H=94)
8	A/494/27	TRASFORMATORE ACC EL 6 FUOCHI UL	6 WAYS IGN TRANSFORMER
9	A/024/12	CARTONCINO ISOL NOMEX TRASF 6FUOCHI	NOMEX INSULATING CARD FOR IGNITION TRANSFORMER 6 BURNE
10	S/236/77	SUPPORTO TRASF ACC CUC PROFESSIONAL	EL. IGN. TRANSFORMER HOLDER FOR PROFESSIONAL COOKER
11	A/492/35	TERMOSTATO SIC FO EL MULT UL RIARMO AUTOMATICO TAR	SAFETY THERMOSTAT
12	S/128/90	LATERALE PORTABR CUC PROFESS SX	LEFT SIDE BURNER HOLDER
13	S/148/03	LISTELLO FERMACRU CUC P90	CONTROL BOARD ANCHORING STRIP FOR 90CM. PROFESSIONAL C
14	A/401/14	MICROINT ACC RUB SABAF CUC	IGNITION SWITCH
15	A/492/37	TERMOREG SIC NA 50°C UL	SAFETY THERMOSTAT UL
16	S/128/91	LATERALE PORTABR CUC PROFESS DX	RIGHT SIDE BURNER HOLDER
17	S/232/63	SQUADRETTA FERMAR CU/FO 30/10 ZN CHMUFF CH	SMALL STOP RAMP CLAMP FOR OVENS AND COOKERS
18	S/004/02	BRIGLIA RAMPA FORNO ELZN	OVEN RAMP CLAMP
19	A/454/43	RAMPA CUC 5 FORI (P90/PD90) PRESA PRESSIONE	RAMP
20	A/062/20	DADO 1/2 D.14 RACCORDO PORTAGOMMA A/415/11 935002022	NUT HOSETAIL S.436/4
21	A/004/04	BICONO 14MM RACCORDO PORTAGOMMA S135 944000016	HOSE NUT
22	A/452/04	RACC CURVO PORTAG (SIRAL) 1/2" PO-04 D.14 OT 9360000070	HOSETAIL COUPLING (SIRAL)
23	A/437/00	STABILIZZATORE PRESSIONE CSA	PRESSURE GAS REGULATOR
24	S/232/33	SQUADRETTA BLOCC PR/CON CUC MUF RIB	BRACKET
25	S/236/63	SUPPORTO PROGR EL145 (5 TASTI) CUC	PROGRAMMER HOLDER (EL145) FOR COOKER
26	A/446/42	PROGR EL145 5T BIPO UL 50/60HZ 230V	ELETTRONIC PROGRAMMER EL145
27	A/466/43	RUB ALLOG MICRO CUC VALV (40)R-SR	VALVE + S.V.
28	A/466/45	RUB ALLOG MICRO CUC VALV (64)TC	VALVE + S.V.
29	A/492/06	TERMOSTATO FORNO MULTIFUNZIONE	MULTIFUNCTION OVEN THERMOSTAT
30	A/466/44	RUB ALLOG MICRO CUC VALV (52)P	VALVE + S.V.
31	A/466/57	RUB ALLOG MICRO CUC VALV (32) SR	VALVE + S.V.
32	A/034/11	COMMUT FORNO MULTIF+MICRO LUCI PUSHPASSO PASSO	MULTIF OVEN SWITCH+MICRO SWITCH
33	A/034/08	COMMUT FORNO MULTIFUNZIONE	MULTIFUNCTION OVEN SWITCH
34	A/106/27	LAMPADA SPIA D.10 FLUOR 230 UL	FLUORESCENT PILOT LIGHT
35	A/106/26	LAMPADA SPIA D.10 FAST 230 UL	PILOT LIGHT
36	S/086/77/08	CRUSCOTTO CUC UP90 (5T) INOX	CONTROL BOARD UP90 UL / ST ST
37	A/080/12	GEMMA SPIA D.10 VERDE INCASTRO	GREEN WARNING LIGHT FOR SWITCH
38	A/080/11	GEMMA SPIA D.10 ARANCIO INCASTRO	ORANGE WARNING LIGHT FOR SWITCH
39	A/102/09	INTERRUTTORE (PULS) MOTOV RADIAL UL	MOTOR FAN SWITCH
40	A/491/03	TASTO PROGR EL145/EL2000 METAL T1/2T=10 G=14,5	PROGRAMMER BUTTON / ST ST COLOUR
41	G/340/10/08	MANOPOLA MAJ GAS CUCINA NERO-CRO	GAS KNOB FOR MAJ COOKER / CHROME
42	G/353/10/08	MANOPOLA MAJ GAS CUC DUAL NERO-CRO	DUAL GAS KNOB FOR MAJ COOK/CHR
43	G/373/10/08	MANOPOLA MAJ TERM EL FO VG UL CROMO	GAS THERM KNOB MAJ-T / CHR

%Titolo

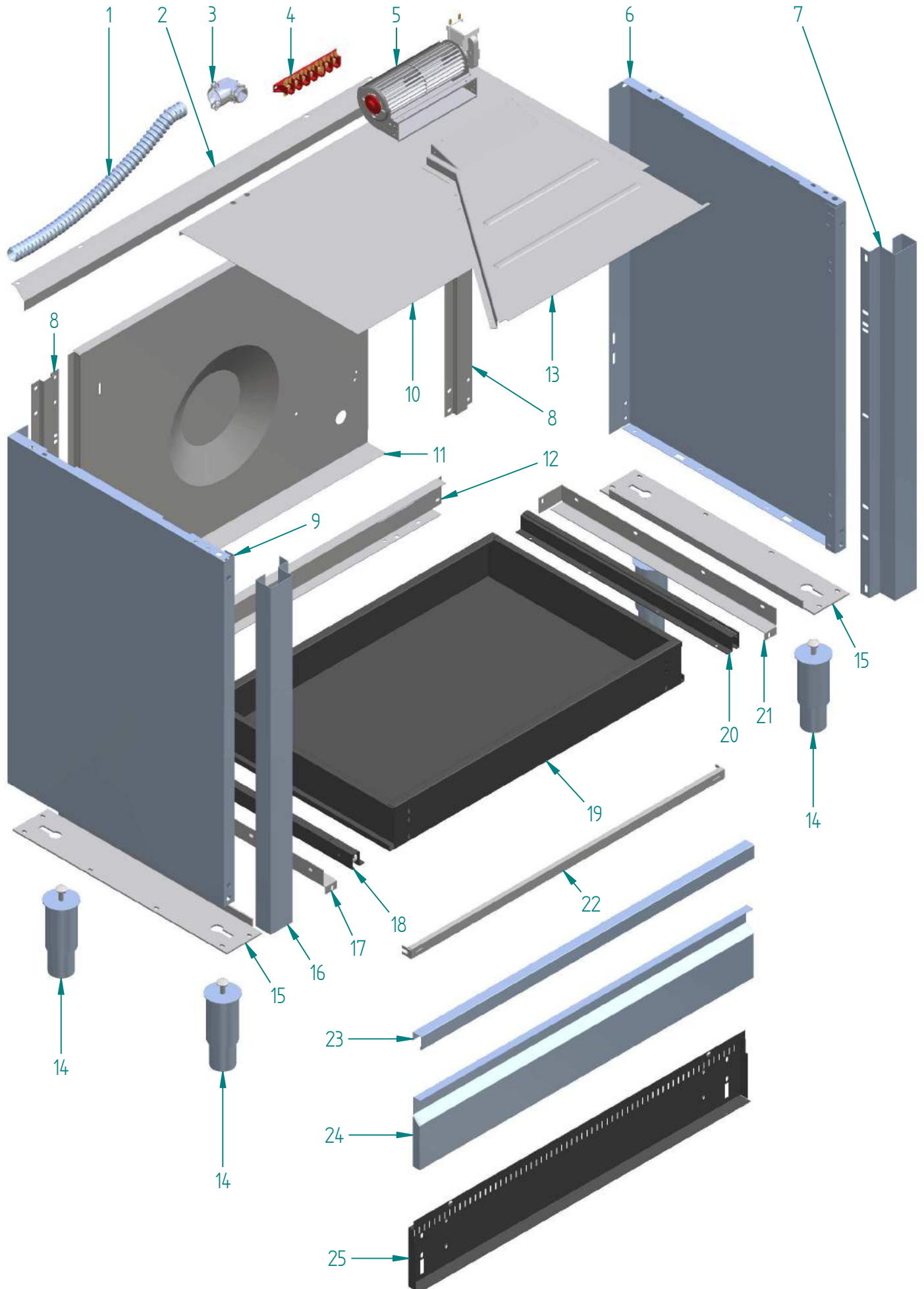
Tav.-4-

ILVE S.p.a.

UP_90FMP

UPL90FMP - UPW90FMP - UPF90FMP

08/03/2010



<i>dis.</i>	<i>cod.</i>	<i>descrizione</i>	<i>description</i>
1	A/498/12	TUBO FLEX PROTEZIONE CAVI (3/4) UL	CONDUIT
2	S/212/05	PROLUNGA COPRISCH P-PD90M USA	UP-UPD90 UPPER BACK EXTENSION
3	A/452/06	RACCORDO TUBO FLEX 90° 3/4" UL/CSA	CONNECTOR
4	A/404/05	MORSETTIERA FV273/7 7 POLI+TERRA UL	TERMINAL BOARD FV273/7
5	A/406/07	MOTOV TANG L=180 120V CLASSE H UL	COOLING FAN
6	S/128/41/08	LATERALE CUC PROFESS DX INOX	SIDE PANEL DX / ST ST
7	S/210/12/08	PROFILO CUC P90 DX INOX	PROFILE FOR P90 DX / ST.ST.
8	S/212/00	PROLUNGA LAT POST CUC APP/COMB 90	SIDE BACK EXTENSION FOR 90CM. COOKER
9	S/128/42/08	LATERALE CUC PROFESS SX INOX	SIDE PANEL SX / ST ST
10	S/172/47	PARACALORE CUC 80/90 MULT MUF RIB	HEAT SHIELD FOR 80/90 ELECTRIC
11	S/036/83	COPRISCH CUC USA APP 80/90 G-E-M	BACK COVER UPRIGHT COOKER 80/90 UL
12	S/148/45	LISTELLO FERMACUC P-PD90 POST INF	STRIP
13	S/024/50	CONV CUC 90 COMP/PROF MUFF RIB	AIR CONVEYER FOR 90CM COOKER UL
14	A/422/13	PIEDINO REGISTRABILE H 100-160	ADJUSTABLE FOOT H 100-160
15	S/234/12	STAFFA PER PIEDINI PD90/P120/P150 DX-SX	FEET STIRRUP FOR P90-P120-P150
16	S/210/14/08	PROFILO CUC P90 SX INOX	PROFILE FOR P90 SX / ST.ST.
17	S/149/72	LISTELLO PORTAG CASS QUADRA SX	LEFT STRIP
18	A/096/11	GUIDA INF/SUP SX CASS PC96 L=500	DRAWER GUIDE
19	S/012/20/10	CASSETTO CUC P80/90 MAT	P80/90 DRAWER
20	A/096/10	GUIDA INF/SUP DX CASS PC96 L=500	DRAWER GUIDE
21	S/149/71	LISTELLO PORTAG CASS QUADRA DX	RIGHT STRIP
22	S/149/97	LISTELLO FERMACUC P80/90 PL ANT INF	STRIP
23	S/150/04/08	MANIGLIONE PO SCA/CASS P90 INOX	HANDLE FOR FOOD WARMER (P90) / ST.ST.
24	S/196/13/08	PORTA SCALDAV/CASS T90 INOX	FOOD WARMER DOOR FOR T90 / ST ST
25	S/022/20	CONTROPORTA SCALDAV/CASS P90 MAT	FOOD WARMER INSIDE DOOR FOR P90

%{Titolo}

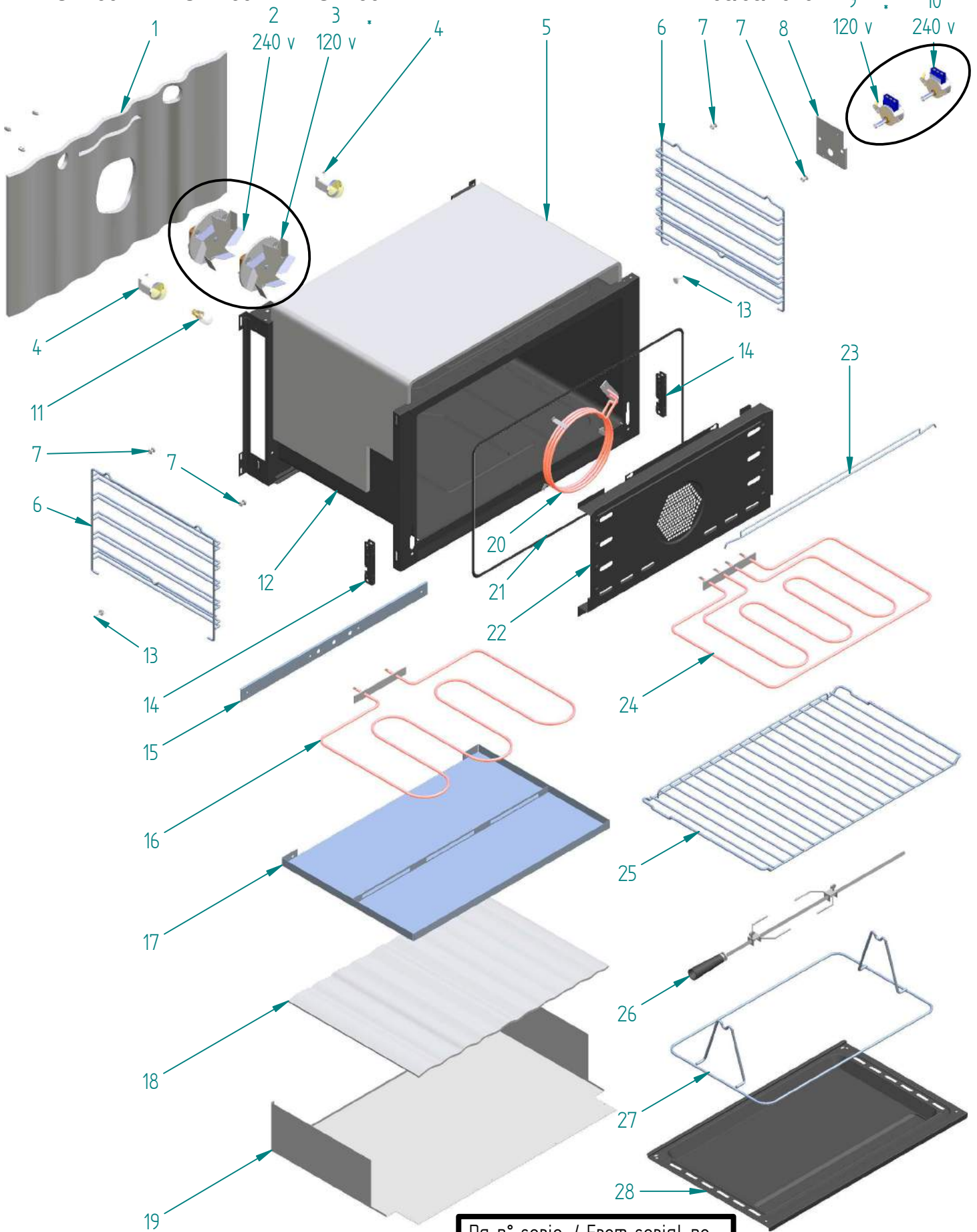
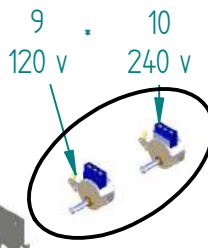
Tav.-5-

ILVE S.p.a.

UP_90FMP

UPL90FMP - UPW90FMP - UPF90FMP

08/03/2010



Da n° serie: / From serial no. :	
3 *	09440585
9 *	09440585

<i>dis.</i>	<i>cod.</i>	<i>descrizione</i>	<i>description</i>
1	A/108/26	LANA DI VETRO SCHIENA FORNO 90 MULTAGU 80/20	FIBERGLASS OVEN BACK 90 MULTIFUNCTION
2	G/406/00	MOTOVENTILATORE COMPL 240V 60HZ UL	COMPLETE FAN 230V
3	G/406/23	MOTOVENTILATORE COMPL 120V 60HZ UL	COMPLETE FAN 120V
4	A/436/02	PORTAL+LAMPADA 110V	OVEN LAMP HOLDER
5	A/108/12	LANA DI VETRO MANTELLO 900 1 ALL+AGU 60/17	FIBERGLASS MANTLE 900
6	A/092/43	GRIGLIA LAT FORNO MUFF CHIUSA 5 COR	OVEN SIDE GRILL
7	A/482/12	SUPPORTO GRIGLIA LAT. (FORNO)	GRILL SIDE SUPPORT (OVEN)
8	S/236/98	SUPPORTO MOTORIDUTTORE	SPIT GERED MOTOR HOLDER SUPPORT
9	A/406/03/02	MOTORID GIRARR (UL) 120V 60HZ	SPIT GEARED MOTOR 110V
10	A/406/03/01	MOTORID GIRARR (CE/UL) 230 50/60	SPIT GEARED MOTOR
11	A/106/00	LAMPADA FORNO 110V	OVEN LIGHT 110V
12	S/162/17/14	MUFFOLA 80/90 MULTIF CH NERO	MULTIFUNCTION MUFFLE
13	A/602/03	VITE ZIGR FERMAGR LAT MUFF CHIUSA	KNURLED SCREW SIDE GRILLS STOPPING
14	A/468/04	RULLINO+PORTARULL CERN TN (FARING)	RULLER
15	S/118/27	FERMARES INF FO 70/80/90 MUFF CH	HEAT ELEMENT STOP
16	A/458/72	RESIST 1500W 230V SUOLA 900 NIP VDE UL	BOTTOM RESISTANCE W1500 V230
17	S/206/11	PORTARES INF 80/90 MUFF CH	RESISTANCE HOLDER
18	A/108/04	LANA DI VETRO FONDO 800/900/948 AGU 80/20	FIBERGLASS BOTTOM 800/900/948
19	S/228/03	SOTTOFONDO FORNO 80/90 MUFF CH	ELECTRIC OVEN BOTTOM
20	A/458/34	RESIST 2400W 230V CIRCOLARE NIP VDE UL	CIRCULAR RESISTANCE W2400 V230
21	A/094/70	GUARN MUFF MATR 09154/A 900 CHIUSA	900 OVEN GASKET
22	S/038/01	COPRIVENTOLA 800/900 SMALTATO	FAN COVER 800/900 ENAMELLED
23	A/438/02	SUPPORTO RESIST SUP 900	RESISTANCE SUPPORT 900
24	A/458/38	RESIST 3100W 230V CIE+GRILL 900 NIP VDE UL	TOP/GRILL RESISTANCE W900/2200 V230
25	A/092/39	GRIGLIA FORNO 90X60 RINFORZATA USA	OVEN GRID
26	A/480/02	SPIEDO FORNO 8/900 TRASV L=565MM	TRANSVERSE SPIT 800/900
27	A/482/10	SUPP GIRAR DIS 167 FORNO/CUCINA 90	SPIT SUPPORT 90X60
28	S/146/04	LECCARDA 80/90 NERO	ENAMELLED DRIPPING PAN 80/90

%{Titolo