

ILVE S.p.a.

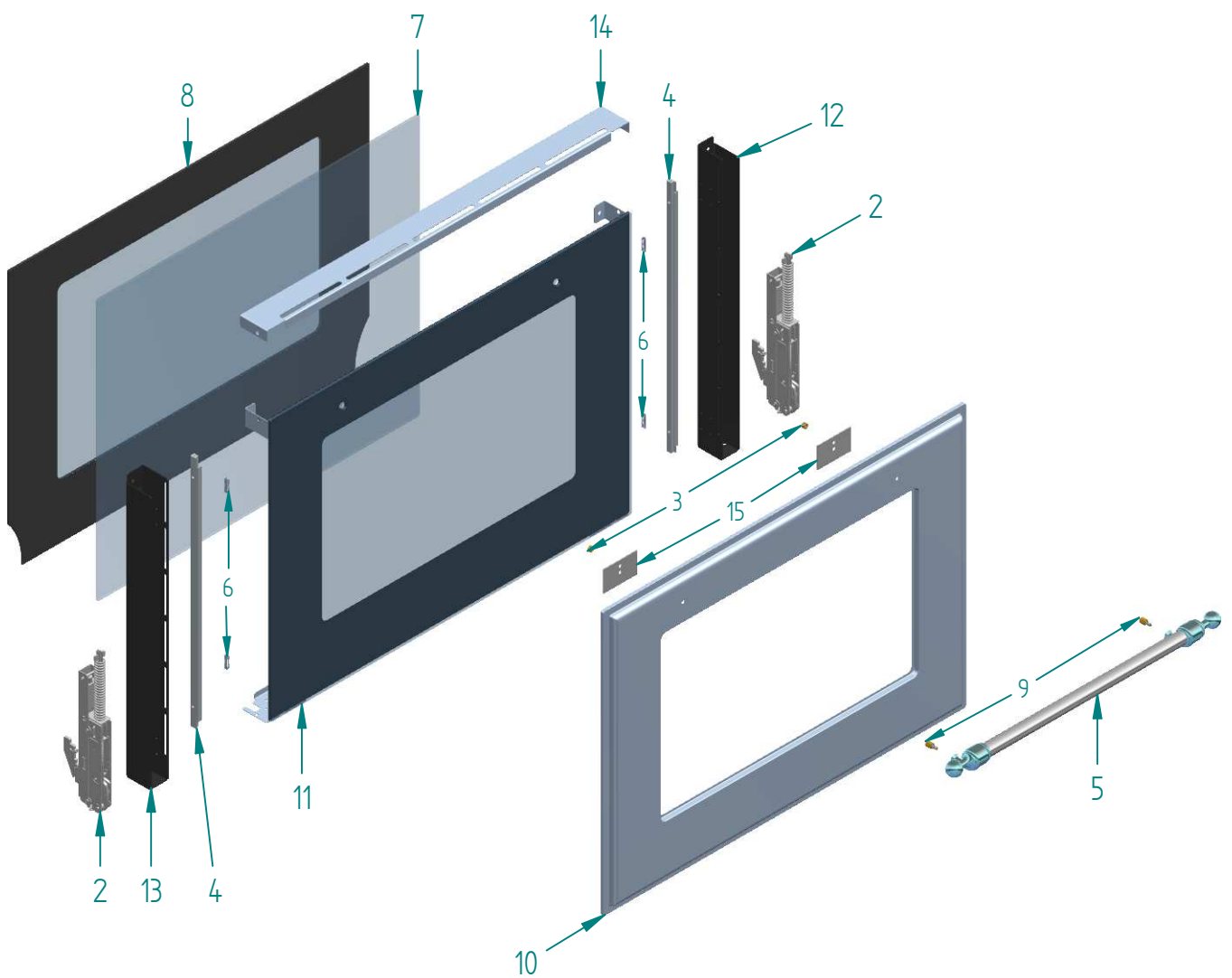
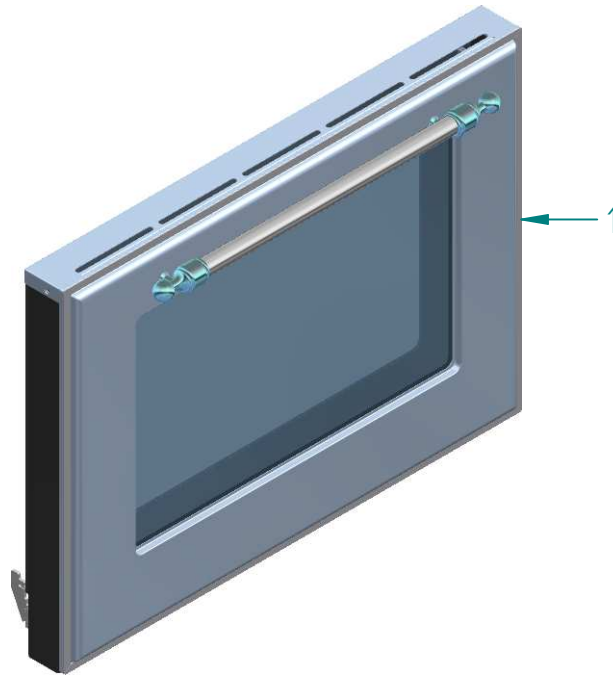
UMI30NE3_SSC

UMI30NE3_SS C

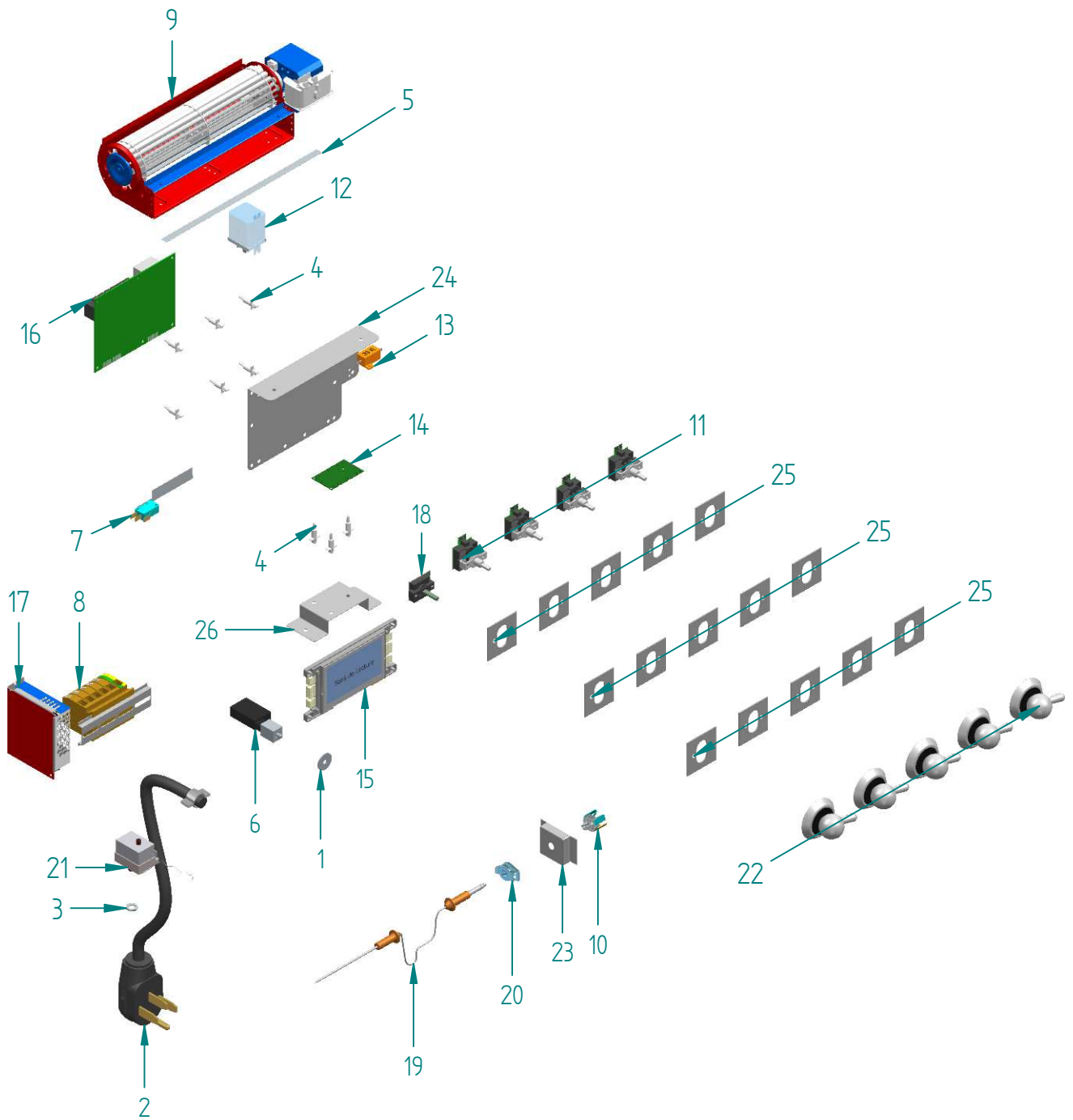
24/06/2020



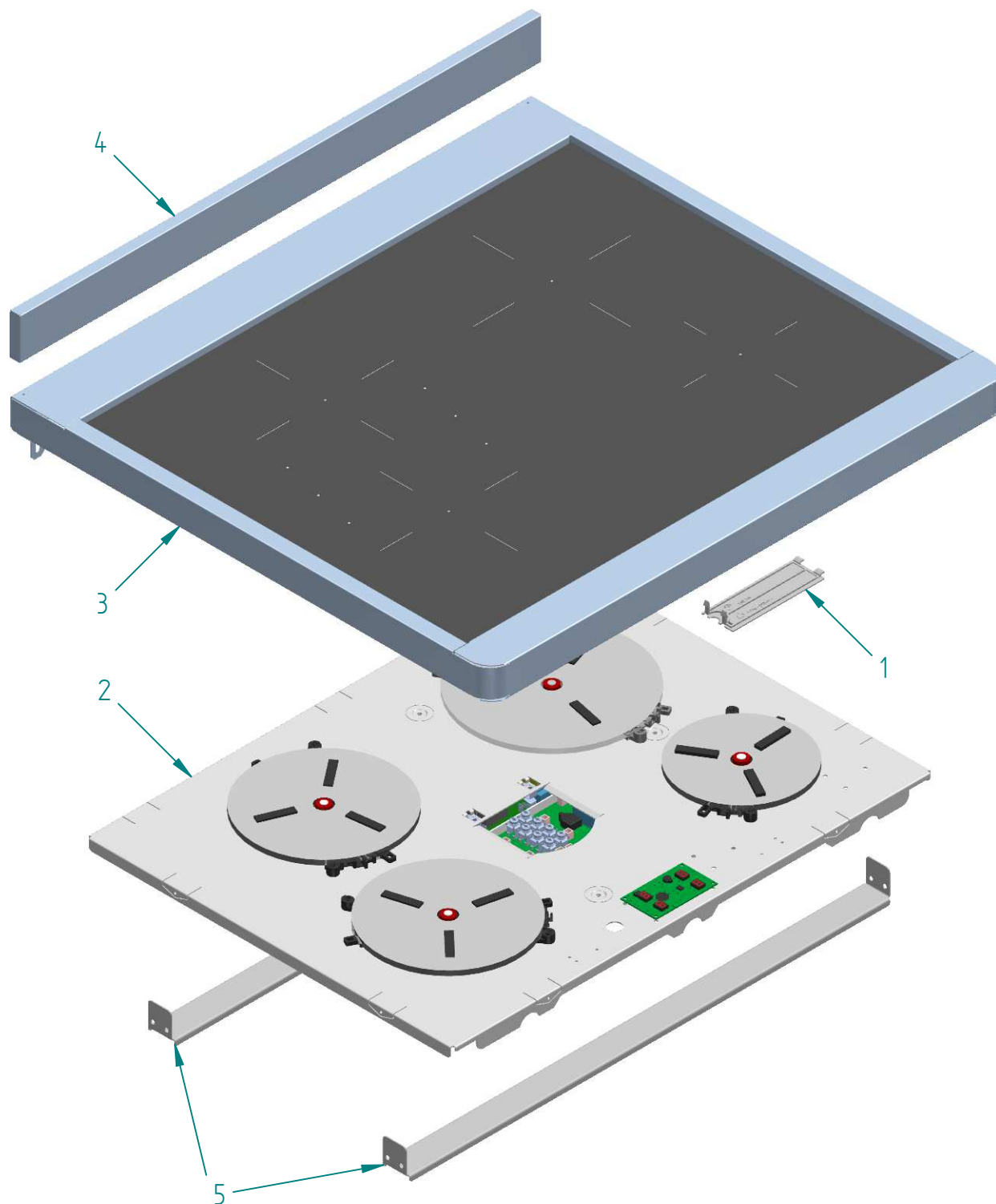
Live, Cook, Love.



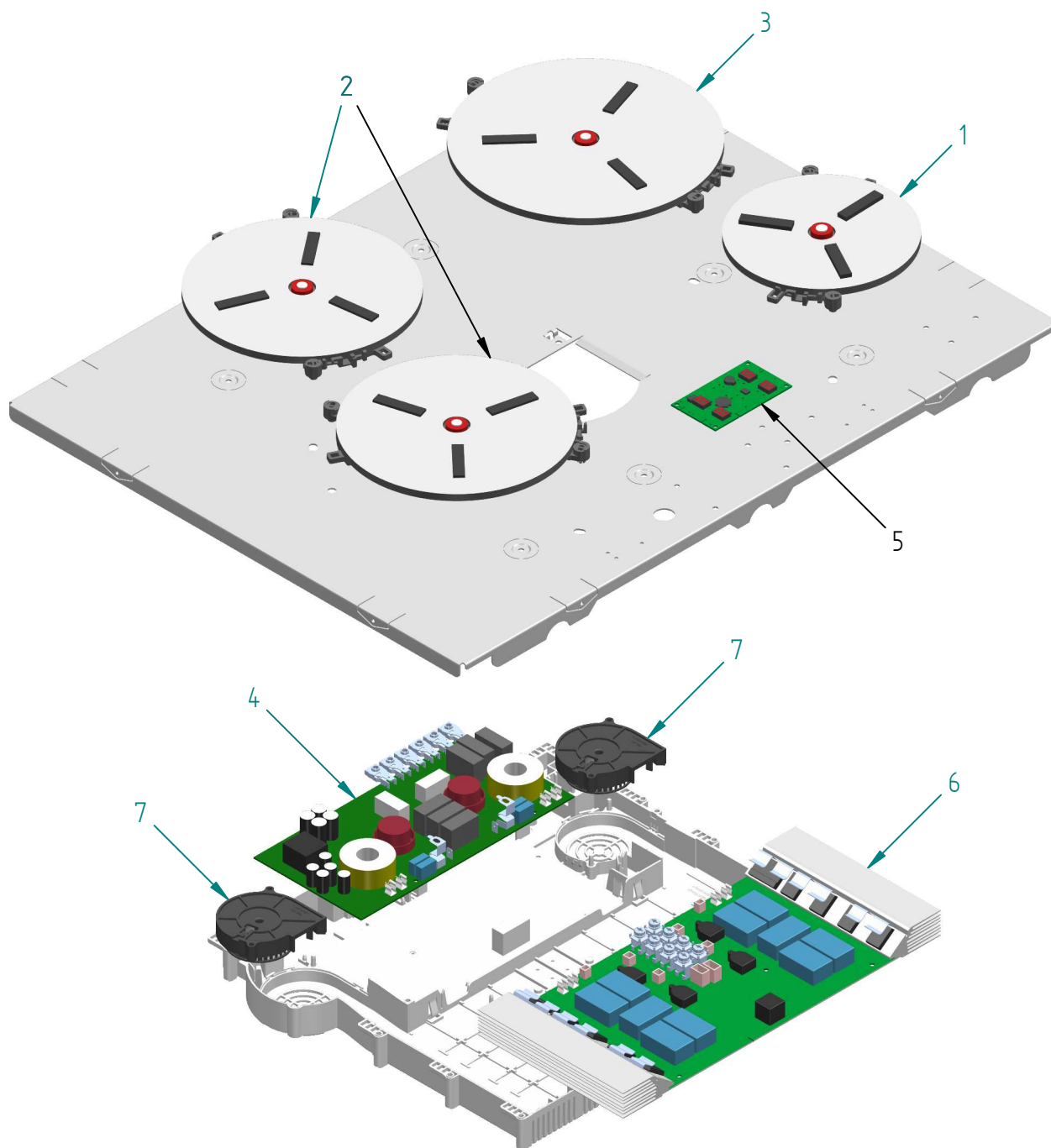
N°	Cod	Descrizione	Inglese	Qtà
1	EG9626003000808	PORTA COMPL 3V CUC M30"-N INOX-CROM	TRIPLE GLASS 30" MAJ-N DOOR/ST	1
2	EA0916017000000	CERNIERA PORTA CUC/OV 30" SOFT		2
3	EA1290002000000	DISTANZIALE OT H=5,5 MANIG POR INOX	BRASS SPACER FOR HANDLE	2
4	EA2180004000000	PROFILO GUIDA TRIPLO VETRO PORTA SL	INSIDE PROFILE	2
5	EA4270009000008	MAN/CORRIM CROMO MAJEST D=22 l=420	CHROME HANDLE MAJESTIC D=22 l=420	1
6	EA4355001000000	MOLLA (CLIP FISSAGGIO) VETRO INTERM	SPRING	4
7	EA7814029110000	VETRO INTERMEDIO PORTA CUC 30"	INTERMEDIATE DOOR GLASS	1
8	EA7814030110000	VETRO INTERNO PORTA CUC 30"	INSIDE DOOR GLASS	1
9	EA7851005000000	VITE APP VE EST MAJ M5 L19 CH8 OTT	SCREW	2
10	EG5405026000808	PORTA+CORNICI M30"N INOX-CR	DOOR+FRAMES M30"N INOX-CR	1
11	EG9851002000000	VETRO EST+SQ PORTA CUC M30"	DOOR GLASS	1
12	EL5890001010000	PROFILO GUIDA VETRO DX PORT M30"	INSIDE PROFILE	1
13	EL5890002010000	PROFILO GUIDA VETRO SX PORT M30"	INSIDE PROFILE	1
14	ES2200001080008	FERMAVETRO SUP PORTA 30" INOX	INSIDE PROFILE	1
15	ES6060001010000	RINFORZO MAN PO MAJ-FRON CASS PT100	REINFORCEMENT	2



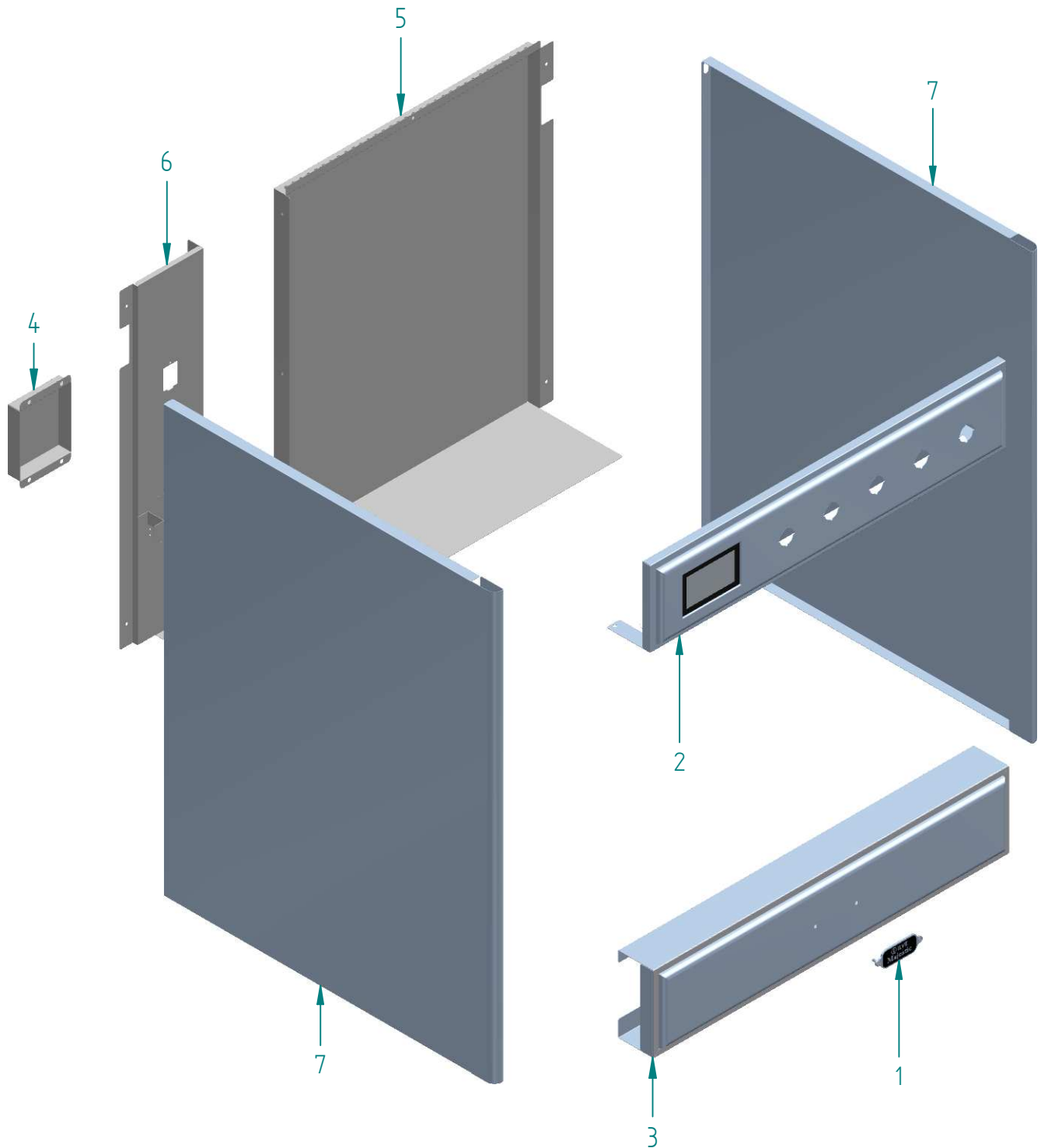
N°	Cod	Descrizione	Inglese	Qtà
1	EA0755001000000	BOCCOLA PERNO MICRO LUCE FORNO '15	MICRO LIGHT OVEN PINS '15	1
2	EA1070004000000	CORD 2XAWG6+2AWG8 50A + SPINA UL	POWER CABLE	1
3	EA1201008000000	DADO ES M1x10 TERM SIC UL RIARM MAN	NUT	1
4	EA1290003000000	DISTANZ PER PCB FORNO TC 5506AA00	SPACER	9
5	EA2683011000000	GUARNIZIONE MOTOV TANG ANTIV L=270	GASKET FOR BUILT IN HOB L=270	1
6	EA4330001000000	MICROINT LUCE FORNO+SUPP '15 3 FAST	MICRO SWITCH	1
7	EA4330005000000	MICROINT FUNZIONAM TANG CUC UL	MICRO SWITCH	1
8	EA4356004000000	MORSETTIERA 60A CABUR 5P+T	TERMINAL BOARD	1
9	EA4365011000000	MOTOV TANG L=240 UL MUFF 30"	UL COOLING FAN L=240	1
10	EA5420001000000	PORTASONDA PROGRAMM ELETTR	PROBE HOLDER	1
11	EA6001003000000	REG ENER ENCODER PUSH TO TURN G5 UL	ENCODER PUSH TO TURN	4
12	EA6003001000000	RELAY SICUREZZA TANG USA	RELAY	1
13	EA6011022000000	RESISTORE CERAM 25W 33R	HEATING ELEMENT	1
14	EA6254014000000	SCHEDA INTERFACCIA MODULO INDUZ G5	PCB FOR INDUCTION HOB	1
15	EA6254017000000	SCHEDA EL DISPLAY TC GRUPPO TFT	TFT SCREEN CARD	1
16	EA6254018000000	SCHEDA POTENZA MULTIFUNZIONE TFT	POWER BOARD	1
17	EA6254029000000	SCHEDA ALIM 35W DISPLAY TFT USA		1
18	EA6301001000000	SELETTORE (SHUTTLE) TEMP+LUCE FORNO	SHUTTLE SELECTOR	1
19	EA6551002000000	SONDA CARNE PROGR ELETTR	PROBE 220/240V	1
20	EA6835002000000	TAPPO PORTASONDA	COVER	1
21	EA6871007000000	TERMOSTATO SIC FORN UL RIARMO MAN		1
22	EG9493002000108	MANOPOLA MAJ REG ENER INDUZ CROMO	INDUCT KNOB MAJ COOKER / CHROME	5
23	ES6678021010000	SUPPORTO PORTASONDA 948-MAJ	PROBE HOLDER SUPPORT	1
24	ES6678028010000	SUPPORTO SCH POT CUC SU PARACALORE	POWER BOARD SUPPORT	1
25	ES6678072010000	SUPPORTO ENCODER CUC INDUZ USA	SUPPORT	15
26	ES6678073010000	SUPPORTO SCHEDA INTERF MODULO INDUZ	WIRING SUPPORT	1



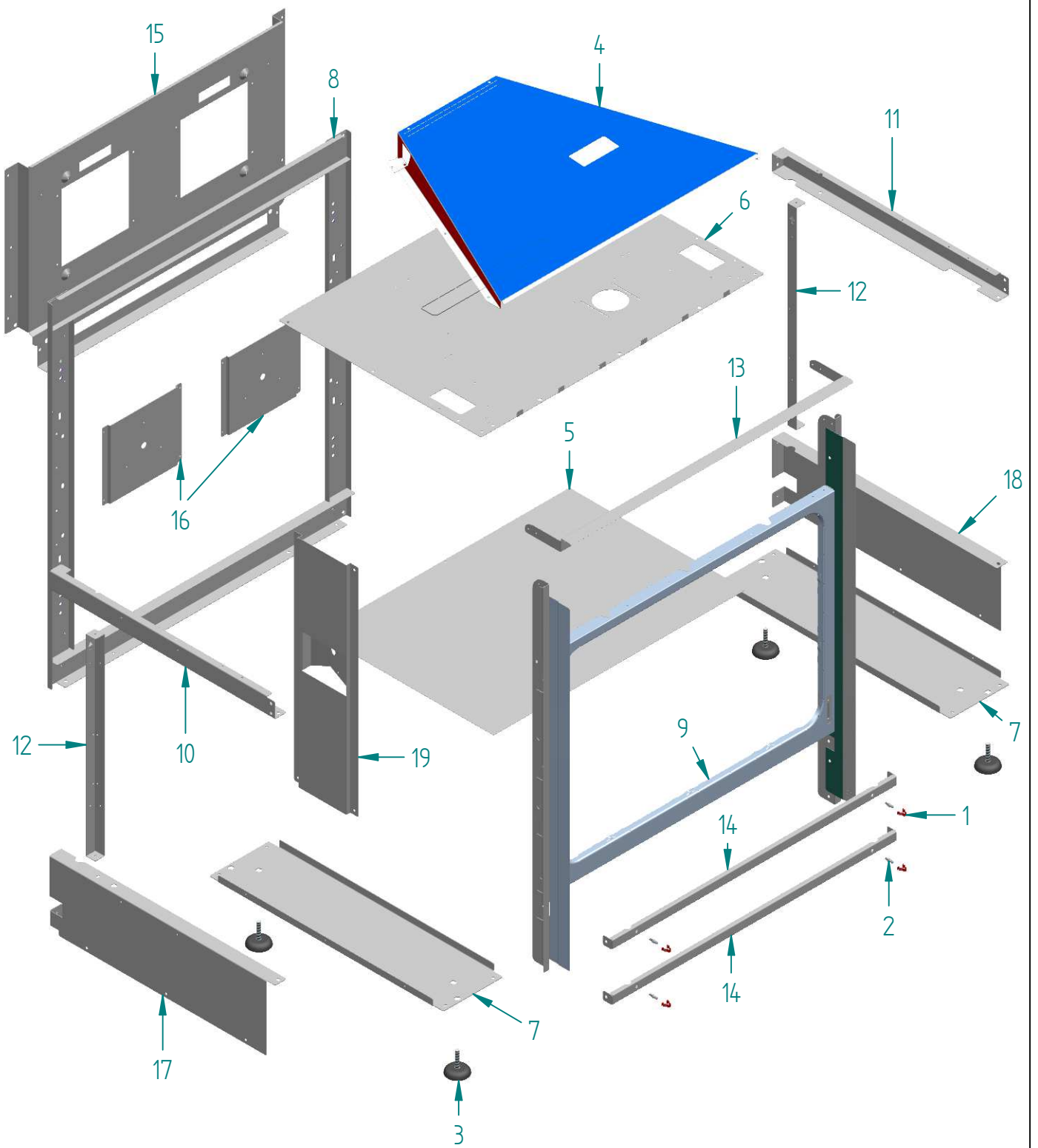
N°	Cod	Descrizione	Inglese	Qtà
1	EA1060003000000	COPERCHIO GENERAT MODULI G5 EGO USA	INDUCTION GENERATOR COVER	1
2	EA4353009000000	MODULO CUC INDUZ 30" ENC G5 UL		1
3	EG9610006000008	PIANO VETRO INDUZ CUC M30 INOX		1
4	ES0251012080008	ALZATINA CUC M30" L=760 NO ASOLE	SPLASHBACK M30"/ST ST	1
5	ES4103024010000	LISTELLO BLOCC MODULO PI76	STRIP	2



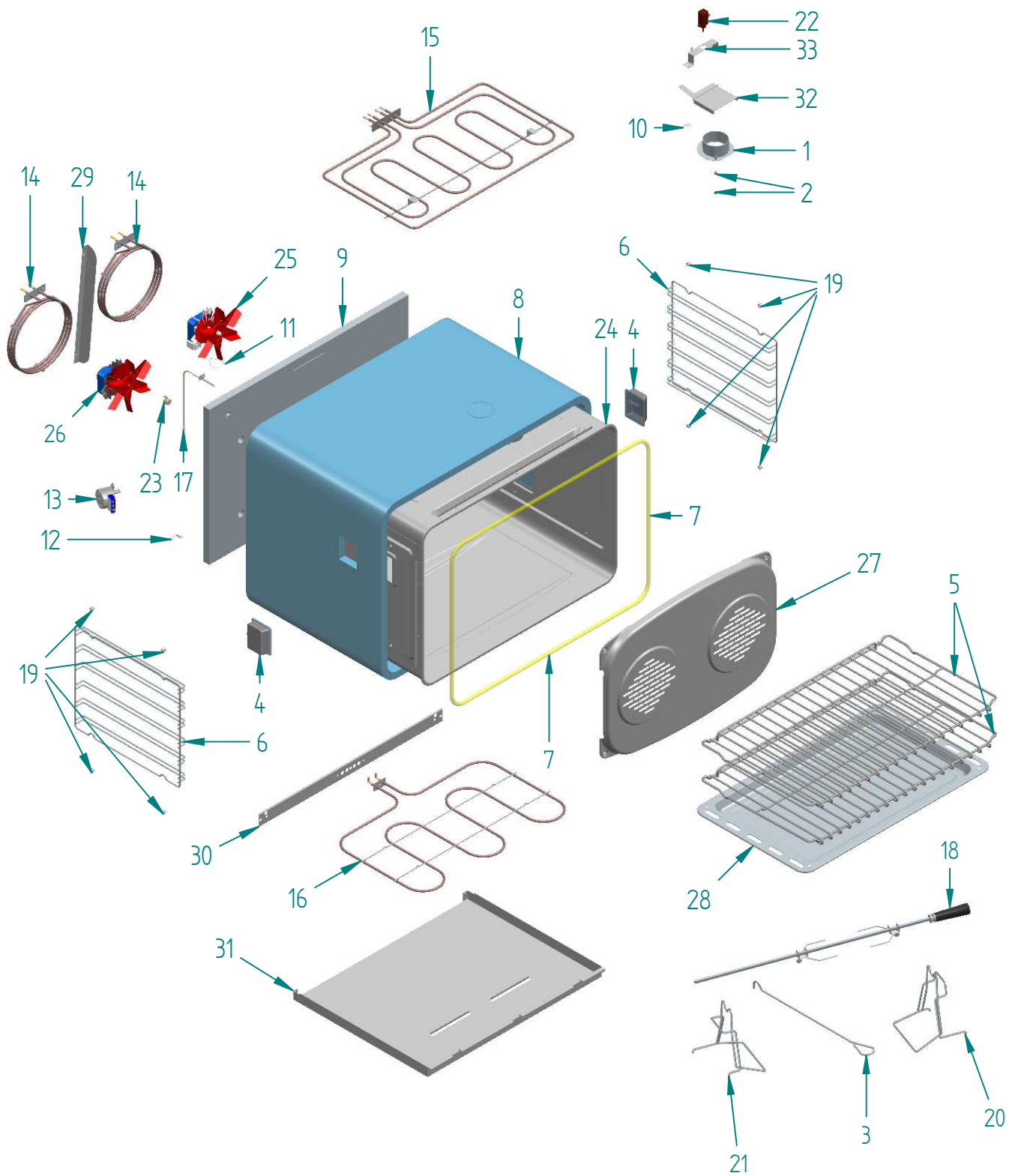
N°	Cod	Descrizione	Inglese	Qtà
1	EA3251008000000	INDUTTORE D=145 G5 UL	Ø145 Inductor	1
2	EA3251009000000	INDUTTORE D=180 G5 UL	Ø180 Inductor	2
3	EA3251010000000	INDUTTORE D=210 G5 UL	Ø210 Inductor	1
4	EA6254033000000	SCHEDA FILTRO CUC INDUZ G5 UL	Filter board 3 - 4 burner generator	1
5	EA6254040000000	SCHEDA DISPLAY 4 ZONE G5 UL	K6 Display	1
6	EA6254041000000	SCHEDA POTENZA 4 ZONE G5 UL	Power board 4 burner generator	1
7	EA7805004000000	VENTILATORE GENERAT G5 UL	Fan	2



N°	Cod	Descrizione	Inglese	Qtà
1	EA6827001000008	TARG MARCHIO MAJESTIC NERO NICHEL	PLATE	1
2	EG9843012000808	CRUSCOT M30N-QN+VET+CORN INOX-CR	COMPL CTRL BOARD+FRAME M30N-QN	1
3	EG9980001000808	ZOCCOLO+CORNICI CUC M30" N-QN INOX		1
4	ES1067001010000	COPRIMORSETT 60A PER CUCINA UL	TERMINAL BOARD COVER	1
5	ES1068060010000	COPRISCH SX CUC UM30"	BACK COVER SX UM30" ELZN	1
6	ES1068061000000	COPRISCH CUC DX UMI30 MORS 60A		1
7	ES4044006080008	LATERALE REMOV CUC M30" INOX	SIDE PANEL/ST ST	2



N°	Cod	Descrizione	Inglese	Qtà
1	EA4355003000000	MOLLA PERNO INN LAT REMOV	SPRING	4
2	EA5265006000000	PERNO INNESTO CORTO M4 ZOCCOL FISSO	STST PIN	4
3	EA5315003000000	PIEDINO GOMMA D.50 M8 H40 (FILETTO)	RUBBER FEET M8X5	4
4	ES1058002010000	CONVOGLIATORE CUC UM30" '19	AIR CONVEYER	1
5	ES2306006010000	FONDO CUCINA ELETT M30" ELZN	ELECTRIC COOKER BOTTOM M30" ELZN	1
6	ES5245009010000	PARACALORE CUC M30" ELZN	M30" COOKER HEAT SHIELD	1
7	ES6651015010000	STAFFA PIEDINI CUC MAJESTIC 30" ZN	FEET STIRRUP FOR M30" COOKER	2
8	ES6671002000000	STRUTTURA CUCINA POST M30"	REAR COOKER STRUCTURE M30"	1
9	ES6671003000000	STRUTTURA CUCINA ANT M30"	FRONT COOKER STRUCTURE M30"	1
10	ES6671041010000	STRUTT CUC M30" LIST SUP SX ELZN	STRUCTURE HIGH STRIP SX	1
11	ES6671042010000	STRUTT CUC M30" LIST SUP DX ELZN	STRUCTURE HIGH STRIP DX	1
12	ES6671043010000	STRUT CUC SUPP SCHIENA MAJ 30" ELZN	OVEN BACK SUPPORT	2
13	ES6671047010000	STRUTT CUC M30" LIST CRUSC ELZN	DASHBOARD STOPPER	1
14	ES6671048010000	STRUTT CUC M30" LIST ANT INF ELZN		2
15	ES6672004010000	STRUTT CUC/FOR 30" PANN POST ELZN	REAR PANEL FRAME	1
16	ES6678051010000	SUPP MOTORE RADIALE CUC/FO 30" ELZN	PROGRAMMER HOLDER	2
17	ES6678060010000	SUPPORTO GUIDA CASS DX M30" ELZN	STRIP	1
18	ES6678061010000	SUPPORTO GUIDA CASS SX M30" ELZN	STRIP	1
19	ES6678095000000	SUPPORTO COMP MOTORID GIRAR CUC 30"	SPIT GERED MOTOR HOLDER SUPPORT	1



N°	Cod	Descrizione	Inglese	Qtà
1	EA0888003000000	CAMINO SCA VAP CUC 30" H=32/28	CHIMNEY DISCHARGE STEAM KITCHEN	1
2	EA1201007000000	DADO ES M4 DIN 980M INS/MET INOX A2	NUT	2
3	EA1935001000000	ESTRATTORE RESIST E ASTA SPIEDO	RESISTANCE EXTRACTOR AND SPARE	1
4	EA2135002000000	FARETTO AL 120V 25W MUFF '15 UL/ESA	LAMP HOLDER + LAMP	2
5	EA2631004000000	GRIGLIA FOR 80/30"RINFORZATA	OVEN GRILL 80/30"	2
6	EA2632003000000	GRIGLIA LAT MUFF '15 30" 6 CORSIE	OVEN SIDE GRILL	2
7	EA2684002000000	GUARNIZIONE MUFF 30" PIROL '15	GASKET FOR 30" OVEN	1
8	EA4030002000000	LANA DI VETRO MANTO+FONDO 30"	FIBERGLASS MANTLE+BOTTOM 30"	1
9	EA4030005000000	LANA DI VETRO SCHIENA 30"	FIBERGLASS OVEN BACK 30"	1
10	EA4355002000000	MOLLA RICHIAMO SCARICO FUMI 645SLZV	SPRING	1
11	EA4355004000000	MOLLA FISS SONDA NTC FILO Ø1.2 INOX	SPRING	1
12	EA4355006000000	MOLLETTA FISS TERMOREG TY60	SPRING	1
13	EA4361001000000	MOTORID GIR UL 50/60HZ L=25 STE '15	SPIT GEARED MOTOR UL	1
14	EA6011001000000	RESIST 1050W 230V CIRC CAV 30"	CIRCULAR RESISTANCE W2100 V230	2
15	EA6011002000000	RESIST 4200W 230V CIE+GR'15 CAV 30"	TOP/GRILL RESISTENCE 30" W4200	1
16	EA6011009000000	RESIST 1700W 240V SUOLA CAV 30" '15	BOTTOM RESISTENCE 30" W1700 V230	1
17	EA6551005000000	SONDA PT1000 PIROLIT/PIZZA/TFT	PROBE	1
18	EA6580001000000	SPIEDO FORNO 80/30" DIAG	TRANSVERSE SPIT 80/30"	1
19	EA6678001000000	SUPPORTO GRIGLIA LAT MUFF '15	GRILL SIDE SUPPORT (OVEN)	8
20	EA6678002000000	SUPP DX ASTA SPIEDO MUF 15 60/70/80	SPIT SUPPORT 90X60	1
21	EA6678011000000	SUPP SX ASTA SPIEDO MUF 15 60/70/80	SPIT SUPPORT 90X60	1
22	EA6867001000000	TERMOATTUATORE A CERA 10.0331.07	DAMPER	1
23	EA6870001000000	TERMOREG SIC TY60 NC 162°C	162°C SAFETY THERMOSTAT	1
24	EF0898005030000	CAVITA' 30" GREZZO	30" OVEN MUFFLE	1
25	EG4364004000000	MOTOV RADIALE COMPL UL MUF 30" SAO		1
26	EG4364005000000	MOTOV RADIALE COMPL UL MUFF 30" SO		1
27	EL1070003030000	COPRIVENTOLA 30" GREZZO	FAN COVER 30" ENAMELLED	1
28	EL4053003030000	LECCARDA 80/90 GREZZA '15	ENAMELLED DRIPPING PAN 80/90	1
29	ES1227002080008	DEFLETTORE VENTILAZIONE FORNO 30"	VENTILATION DEFLECTOR	1
30	ES2195001010000	FERMARES INF MUFF 80 '15	HEAT ELEMENT STOP	1
31	ES5415008010000	PORTARES INF FORNO 30" ZN	RESISTANCE HOLDER	1
32	ES6001003000000	REGOLATORE SCA VAPORI MUFF 30"	VAPOR DISCHARGE REGULATOR	1
33	ES6678046010000	SUPPORTO ATTUAT A CERA CAMI 30"	WAX ACTUATOR SUPPORT	1