

PIEGHE IN GIU'
PIEGHE IN SU'

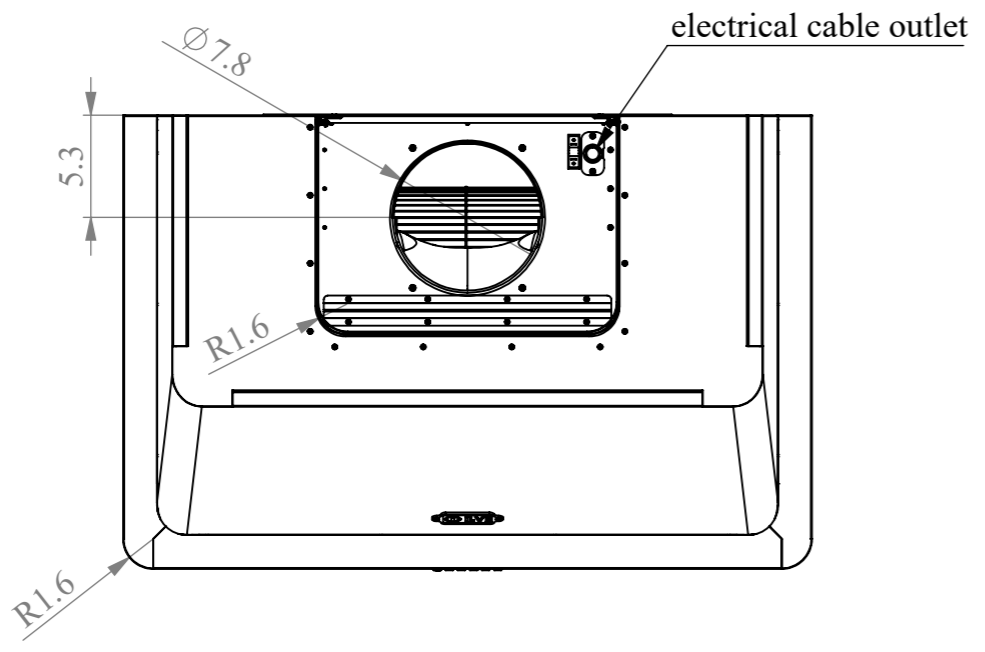
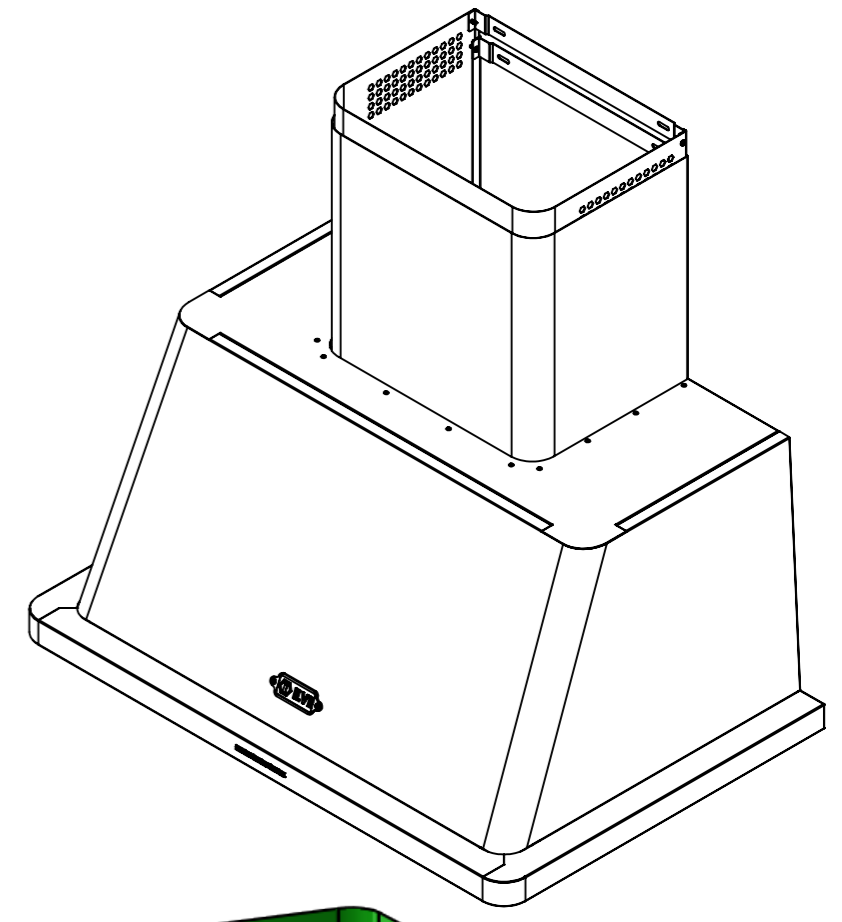
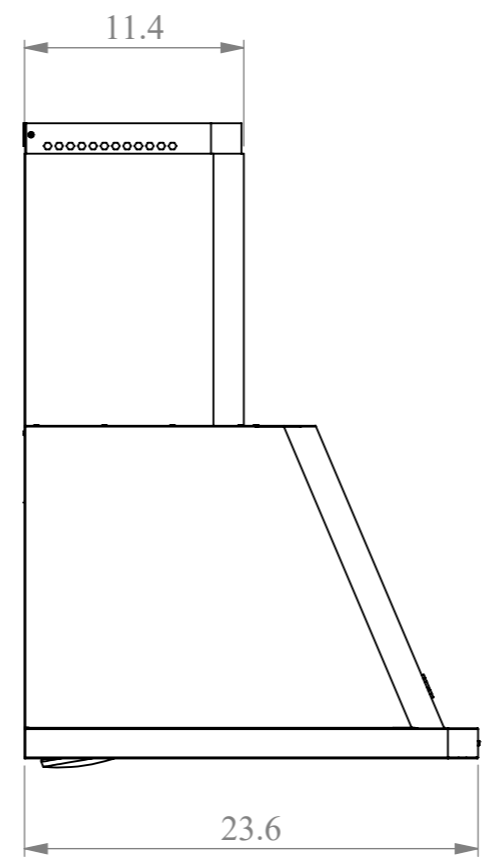
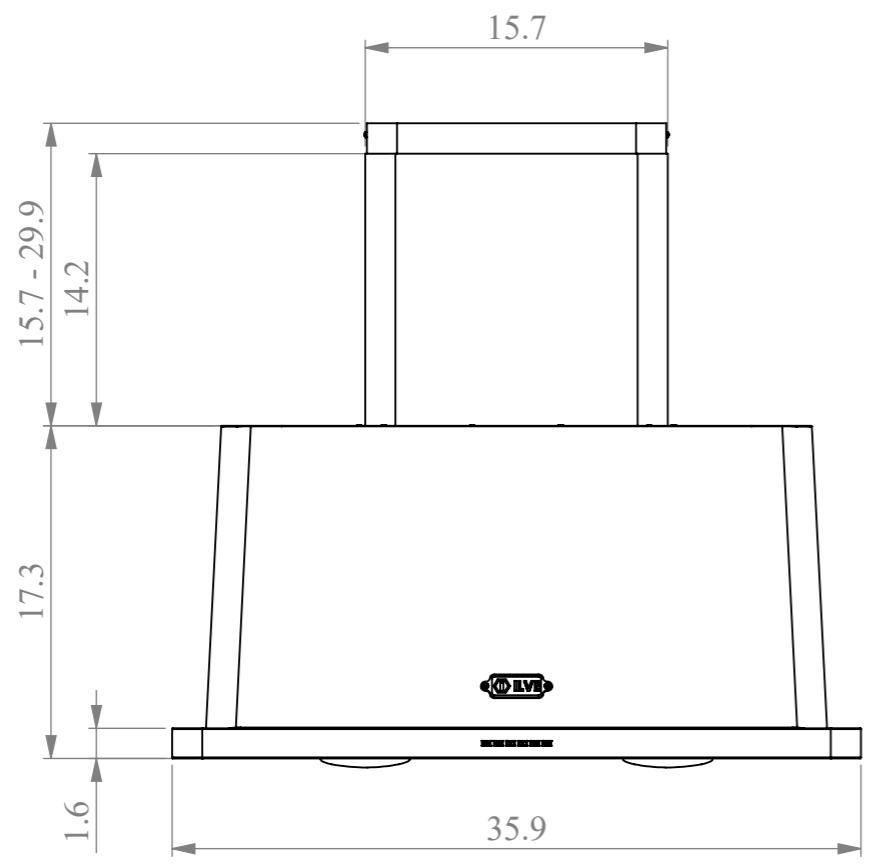
This drawing contains confidential information and is the property of ILVE SPA, without whose permission it may not be copied, shown or handed to a third party or otherwise used, and it is to be returned promptly upon request to the ILVE SPA, which is responsible for the drawing. SUPPLY SPECIFICATIONS / SPECIFICHE DI FORNITURA. Remove all punching burrs after machining or press-forming process. draft angle 2°. fillets not quoted R=2, internal bend radius as thickness. chamfers not quoted: 0.5x45°. For other specifications please contact the technical department.

| | | | |
|---|------|----|---------|
| □ | 0.4 | — | 0.2/100 |
| ○ | 0.4 | // | 0.2/100 |
| ◎ | 0.25 | ⊥ | 0.2/100 |

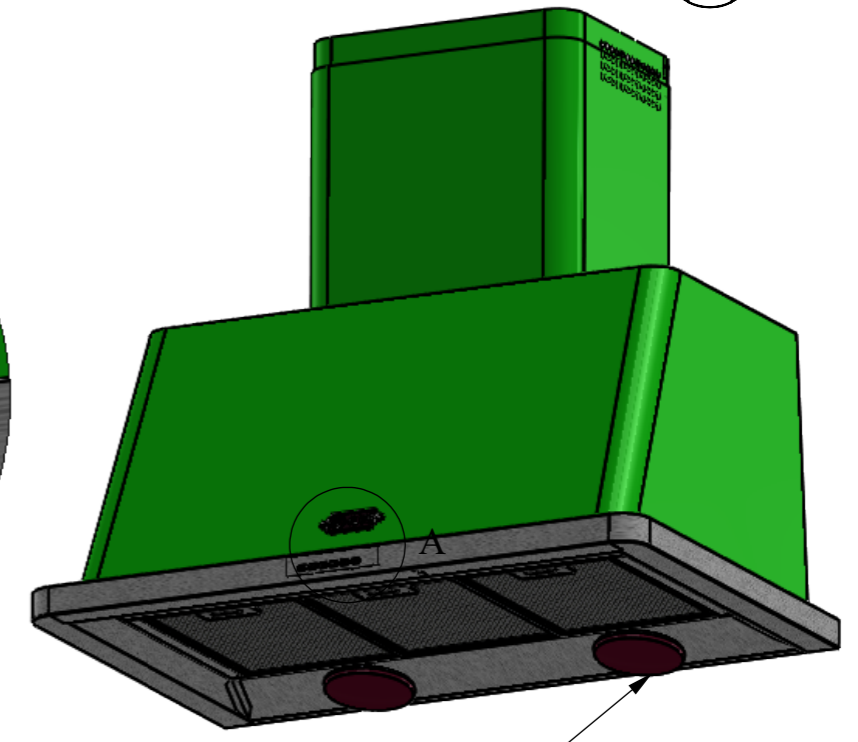
Angles ± 1°
Angoli ± 1°

| | |
|--|---|
| General tolerance - Tolleranza generale: UNI EN 227 68/1 - C | |
| Length and diam. Lung. e diametri | > 4000 2000 1000 315 120 30.0 6.00 |
| Tolerance Tolleranza | ± 5.0 ± 4.0 ± 3.0 ± 2.0 ± 2.0 ± 1.2 ± 0.8 ± 0.5 ± 0.2 |

| COD | COLOR |
|-----|-----------------|
| MG | MAT GRAPHITE |
| EG | EMERALD GREEN |
| BU | BURGUNDY |
| BK | BLACK |
| WH | WHITE |
| AW | ANTIQUE WHITE |
| MB | MIDNIGHT BLUE |
| SS | STAINLESS STEEL |



DETTAGLIO A
SCALA 1 : 2



infrared lamps 2x175 watts

| | | | | | |
|--|-------------------------|----------------|-----------------------------|-------------|------------------|
| ILVE | PROGETTO/Project | CLIENTE | SIMMETRICO/Simmetrical code | TIPO/Type | GRUPPO/Group |
| | USA | | | | |
| | RIFERIMENTO / Reference | CODICE CLIENTE | MATERIALE/Material | | PESO/Weight (kg) |
| | | | GREZZO/Stock size | FIRMA/Sign | Orientamento |
| | | | <i>mm</i> | <i>MO</i> | |
| DENOMINAZIONE/Name | | | FINITURA/Finish | SCALA/Scale | DATA/Date |
| HOOD MAJESTIC 90 UL 1400 | | | | 1:10 | 29/06/20 |
| Il presente disegno è proprietà della ILVE SPA Non può essere copiato o mostrato a terzi senza preventiva autorizzazione scritta. La Società tutelera a termini di legge. This drawing is property of ILVE SPA an may not be reproduced nor disclosed to third parties without the written consent of ILVE SPA Any abuse will be prosecuted. | | | DISEGNO NR./Drawing no. | | REV/Rev |
| | | | UAM90 | | 00 |

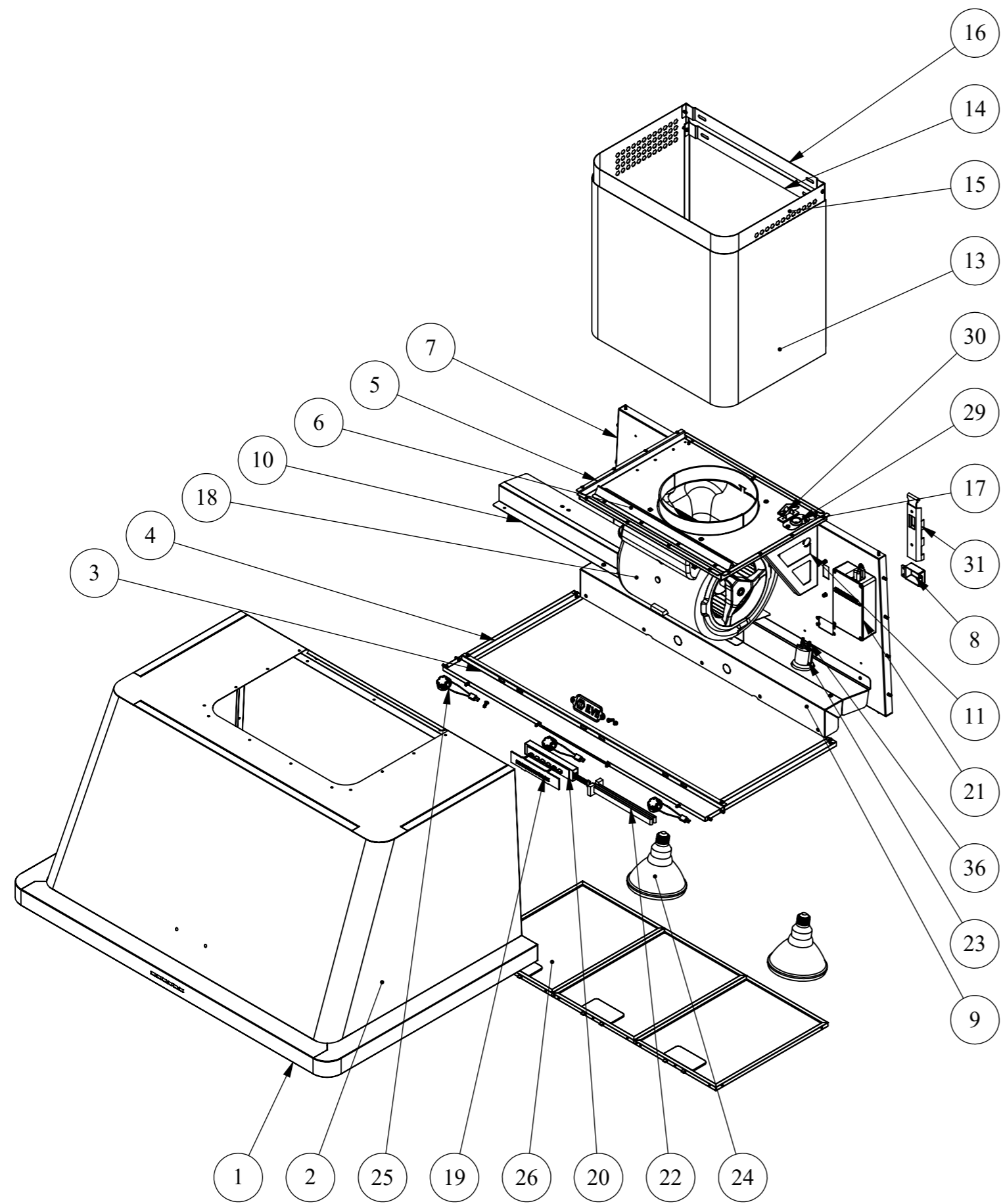
PIEGHE IN GIU'
PIEGHE IN SU'

This drawing contains confidential information and is the property of ILVE SPA. Without whose permission it may not be copied, shown or handed to a third party or otherwise used, and it is to be returned promptly upon request to the ILVE SPA, which is responsible for the drawing. SUPPLY SPECIFICATIONS / SPECIFICHE DI FORNITURA. Remove all punching burrs after machining or press-forming process. draft angle 2°. fillets not quoted R=2, internal bend radius as thickness, chamfers not quoted: 0.5x45°. For other specifications please contact the technical department.

| | |
|------|---------|
| 0.4 | 0.2/100 |
| 0.4 | 0.2/100 |
| 0.25 | 0.2/100 |

Angles ± 1°
Angoli ± 1°

| | |
|--|---|
| General tolerance - Tolleranza generale: UNI EN 227 68/1 - C | |
| Length and diam. Lungn. e diametri | > 4000 2000 1000 315 120 |
| Tolerance Tolleranza | ± 0.2 ± 0.5 ± 0.8 ± 1.2 ± 2.0 ± 3.0 ± 4.0 ± 5.0 |



| | | | |
|----|----|------------------|---|
| 40 | 2 | LV00821500 | DADO ESAG.M4 AUTOBLOCCANTE |
| 39 | 2 | LV00824700 | VITE TSP+ M4X16 INOX ISO 7046/2 |
| 38 | 4 | LV00964900 | 00 VITE aut. TC+ 4.2x13 NIC |
| 37 | 4 | LV00073700 | VITE TC+ M4x10 ZB |
| 36 | 4 | LV00964600 | 00 VITE TC ES INC M4X20 INOX |
| 35 | 9 | LV00018700 | 01 INSERTO M4 CH6 TESTA RIDOTTA |
| 34 | 53 | LV00019900 | RIVETTO 3.2x10.4 ALLUMINIO |
| 33 | 55 | LV00072000 | VITE aut. TC+ 3.9x13 ZB SP |
| 32 | 2 | LV00022901 | PIASTRA AGGANCIO |
| 31 | 2 | LV00027100 | ATTACCAGLIA 624.400.033 |
| 30 | 1 | LV00694200 | BLOCCACAVI IN PLASTICA PA238RO |
| 29 | 1 | LV00103000 | GOMMINO PASSACAVI Ø 22 |
| 28 | 1 | LV00659200 | PASSACAPO PVC KP 9-12-16-2 |
| 27 | 1 | LVA30200064 | 00 Marchietto ilve |
| 26 | 3 | LV00964800 | 00 FILTRO ALLUMINIO P320 x L233 SP9 6+2 |
| 25 | 3 | LVA40300013 | FAR.LED CROMO 1 W 350mA 3000°K (UL/CSA) |
| 24 | 2 | LV00964400 | 00 LAMPADA INFRAR. Par38 IR 175W E27 110V |
| 23 | 2 | LV00964300 | 00 PORTALAMPADA E27 PORCELLANA BIANCA |
| 22 | 1 | LV00663500 | 00 PROLUNGA PULSANTIERE |
| 21 | 1 | LV00965100 | 00 MAIN I.E. 110V + 2 LAMP. INFRAROSSO+ Alimentatore + CABLAGGIO UL |
| 20 | 1 | LV00964700 | 00 COMANDI RETT. 6T UL |
| 19 | 1 | LV00785000 | PLASTICA FISS. COMANDI RETT. |
| 18 | 1 | LVD2E160GL2121LW | 00 D2E160GL2121_LW 1500m3/h |
| 17 | 1 | LV00052800 | CHIUSURA CAVI |
| 16 | 1 | LVMJ100C022 | 00 STAFFA PROLUNGA |
| 15 | 1 | LVMJ100C021 | 00 PROLUNGA CAMINO |
| 14 | 1 | LVMJ100C020 | 00 STAFFA CAMINO |
| 13 | 1 | LVMJ100C019 | 00 CAMINO ESTERNO |
| 12 | 1 | LVMJ100C018 | 00 RINFORZO SX MOTORE |
| 11 | 1 | LVMJ100C017 | 00 RINFORZO DX MOTORE |
| 10 | 1 | LVMJ090C016 | 00 SUPPORTO LAMPADE 911 |
| 9 | 1 | LVMJ090C015 | 00 PROTEZIONE LAMPADE 911 |
| 8 | 2 | LVMJ100C014 | 00 STAFFA SICUREZZA |
| 7 | 1 | LVMJ090C013 | 00 SCHIENALE 911 |
| 6 | 1 | LVMJ100C012 | 00 RINFORZO BASE MOTORE |
| 5 | 1 | LVMJ100C011 | 00 BASE MOTORE EBM1400 |
| 4 | 2 | LVMJ090C010 | 00 DISTANZIALE FILTRI LATERALE 911 |
| 3 | 1 | LVMJ090C009 | 00 DISTANZIALE FRONTALE FILTRI 911 |
| 2 | 1 | LVMJ090A002 | 00 ASSIEME MANTELLO 911 |
| 1 | 1 | LVMJ090A001 | 00 ASSIEME CRUSCOTTO 911 |

| | | | | | | |
|--|-----|-------------------------|-----|-----------------------------|-------------|------------------|
| Pos. | Qtà | CODICE/Code | Rev | DESCRIZIONE/Description | | |
| PROGETTO/Project | | CLIENTE | | SIMMETRICO/Simmetrical code | TIPO/Type | GRUPPO/Group |
| ILVE USA | | RIFERIMENTO / Reference | | MATERIALE/Material | | PESO/Weight (kg) |
| DENOMINAZIONE/Name | | CODICE CLIENTE | | GREZZO/Stock size | FIRMA/Sign | Orientamento |
| HOOD MAJESTIC 90 UL 1400 | | | | mm | MO | |
| | | | | FINITURA/Finish | SCALA/Scale | DATA/Date |
| | | | | | 1:10 | 29/06/20 |
| Il presente disegno è proprietà della ILVE SPA Non può essere copiato o mostrato a terzi senza preventiva autorizzazione scritta. La Società tutelera a termini di legge. This drawing is property of ILVE SPA an may not be reproduced nor disclosed to third parties without the written consent of ILVE SPA Any abuse will be prosecuted. | | | | DISEGNO NR./Drawing no. | | REV/Rev |
| | | | | UAM90 | | 00 |