



INDOOR COOKING

Smart Induction Cooktop KICS

Installation Manual

 HESTAN

⚠ WARNING

IF THE INFORMATION IN THIS MANUAL IS NOT FOLLOWED EXACTLY, A FIRE OR EXPLOSION MAY RESULT CAUSING PROPERTY DAMAGE, PERSONAL INJURY, OR DEATH.

Do not store or use gasoline or other flammable vapors and liquids in the vicinity of this or any other appliance.

Installation and service must be performed by a qualified installer or service agency.

DO NOT REPAIR, REPLACE OR REMOVE ANY PART OF THE APPLIANCE UNLESS SPECIFICALLY RECOMMENDED IN THE MANUAL. IMPROPER INSTALLATION, SERVICE OR MAINTENANCE CAN CAUSE INJURY OR PROPERTY DAMAGE. REFER TO THIS MANUAL FOR GUIDANCE. ALL OTHER SERVICING SHOULD BE DONE BY A QUALIFIED TECHNICIAN.

READ THESE INSTRUCTIONS CAREFULLY AND COMPLETELY BEFORE INSTALLING OR USING YOUR APPLIANCE TO REDUCE THE RISK OF FIRE, BURN HAZARD, OR OTHER INJURY. KEEP THIS MANUAL FOR FUTURE REFERENCE.

SAFETY DEFINITIONS

⚠ WARNING

THIS INDICATES THAT DEATH OR SERIOUS INJURY MAY OCCUR AS A RESULT OF NOT OBSERVING THIS WARNING

⚠ CAUTION

THIS INDICATES THAT MINOR OR MODERATE INJURY MAY OCCUR AS A RESULT OF NOT OBSERVING THIS WARNING.

NOTICE

THIS INDICATES THAT DAMAGE TO THE APPLIANCE OR PROPERTY MAY OCCUR AS A RESULT OF NOT OBSERVING THIS WARNING.

INSTALLER: LEAVE THIS MANUAL WITH THE OWNER OF THE APPLIANCE.

HOMEOWNER: RETAIN THIS MANUAL FOR FUTURE REFERENCE.

TABLE OF CONTENTS

1	SAFETY PRECAUTIONS - BEFORE YOU BEGIN
2	MODEL NUMBERS
2	RATING LABEL
2	REGULATORY / CODE REQUIREMENTS
3	CUTOUT DIMENSIONS AND REQUIREMENTS
6	COOKTOP INSTALLATION
9	ELECTRICAL CONNECTIONS
11	FINAL SETUP
12	PARTS LIST
12	SERVICE

SAFETY PRECAUTIONS - BEFORE YOU BEGIN

When properly cared for, your Hestan appliance will provide safe, reliable service for many years. When using this appliance, basic safety practices must be followed as outlined below.

IMPORTANT: Save these instructions for the local electrical inspector's use.

INSTALLER: Please leave these Installation Instructions with the owner.

OWNER: Please retain these Installation Instructions for future reference.

Do NOT install this appliance outdoors.

⚠️ WARNING

ELECTRICAL SHOCK HAZARD

Disconnect power before installing or servicing appliance. Failure to do so can result in death or electrical shock.



ELECTRICAL GROUNDING

This appliance must be grounded. Grounding reduces the risk of electric shock in the event of a short circuit. Read the ELECTRICAL CONNECTIONS section of this manual for complete instructions.

DO NOT ground to a gas pipe.

DO NOT use an extension cord with this appliance.

DO NOT have a fuse in the NEUTRAL or GROUNDING circuit. A fuse in the NEUTRAL or GROUNDING circuit could result in an electrical shock.

MODEL NUMBERS

COOKTOP MODELS

MODEL NO.	DESCRIPTION	CIRCUIT BREAKER REQUIRED
KICS30	30" Smart Induction Cooktop	40 Amp
KICS36	36" Smart Induction Cooktop	50 Amp

RATING LABEL

The rating label contains important information about your Hestan appliance such as the model and serial number, electrical rating and the minimum installation clearances.

The rating label is located on the bottom of the cooktop.

If service is necessary, contact Hestan Customer Service with the model and serial number information shown on the label.

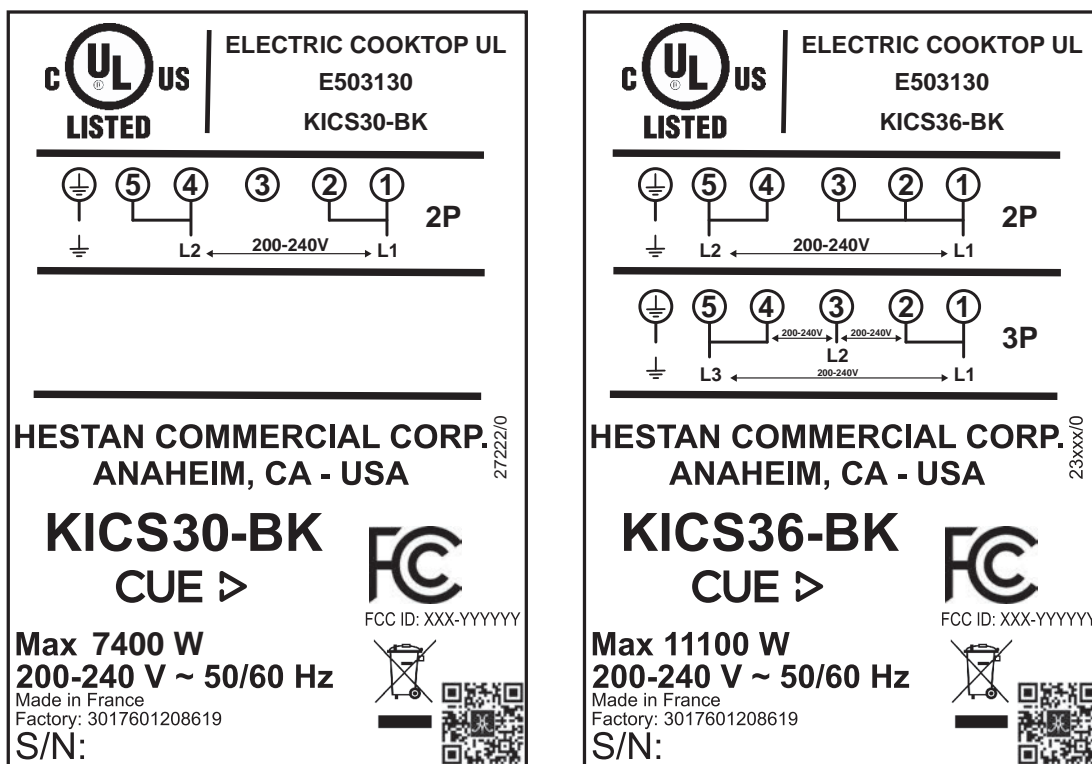
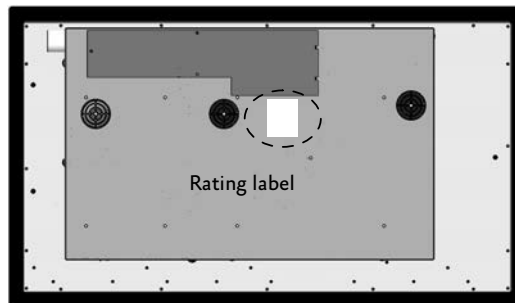


Figure 1. Typical rating labels

REGULATORY / CODE REQUIREMENTS

Installation of this cooking appliance must be made in accordance with local codes. In the absence of local codes, this unit should be installed in accordance with the National Electrical Code and local codes.

This appliance must be electrically grounded in accordance with local codes or in the absence of local codes with the National Electrical Code *ANSI/NFPA 70*, or Canadian Electrical code *CSA C22.1*.

CUTOUT DIMENSIONS AND REQUIREMENTS

CABINET REQUIREMENTS

To eliminate the risk of burns or fire by reaching over heated surface units, cabinet storage units located above the surface units should be avoided. If cabinet storage is to be provided, the risk can be reduced by installing a range hood that projects horizontally a minimum of 5 inches [12.7 cm] beyond the bottom of the cabinets.

EN

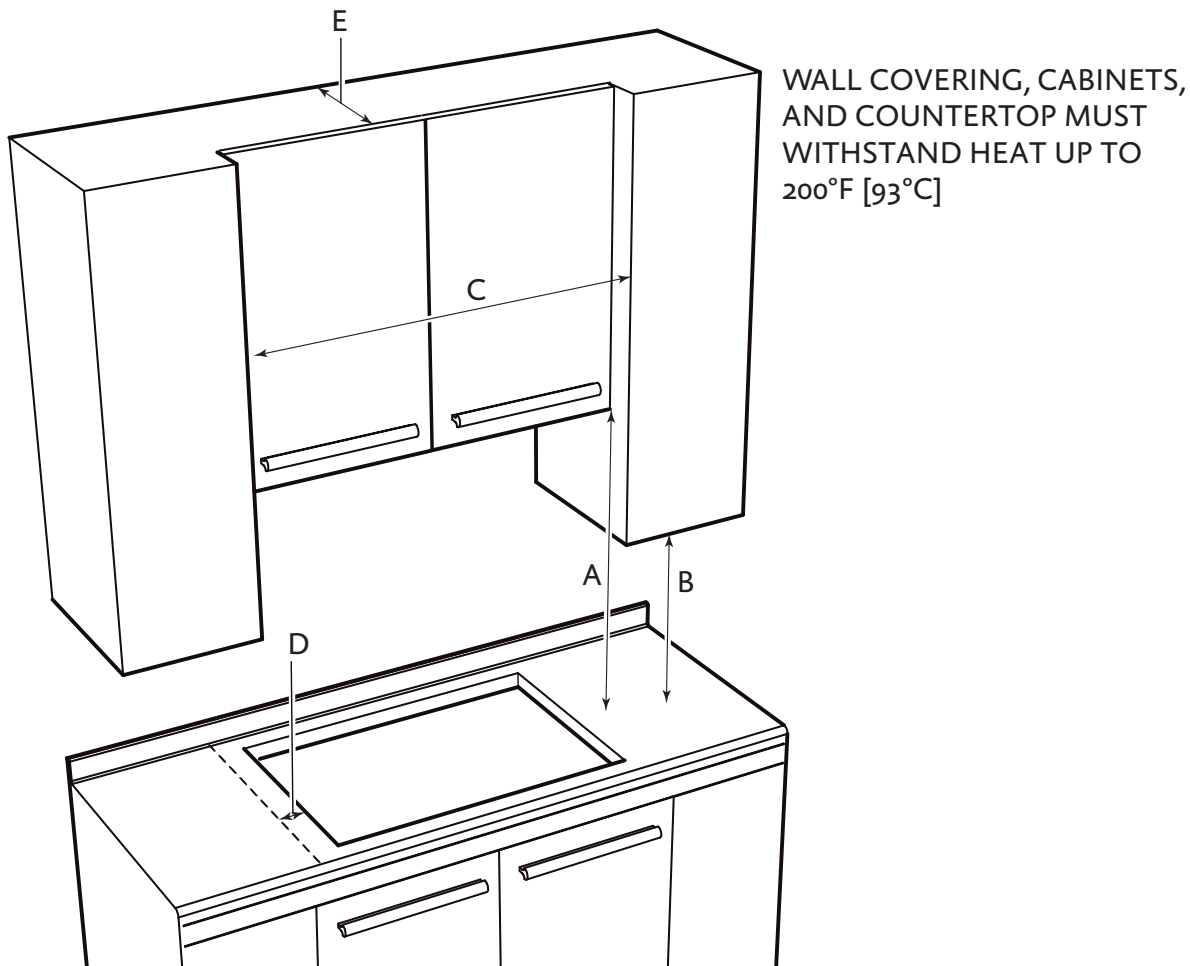


Figure 2. Cabinet clearances

Model	A	B	C
KICS30	30" [76.2 cm] min. clearance from countertop to unprotected overhead surface, or as required by ventilation hood. *	18" [45.7 cm] min. height from countertop to nearest cabinet on either side of unit.	30" [76.2 cm] min.
KICS36			36" [91.4 cm] min.

Model	D	E
KICS30	2" [5.1 cm] min clearance from cutout to side wall on the left or right of the unit. **	13" [33 cm] depth of unprotected overhead cabinets.
KICS36		

* 30" [76.2 cm] minimum clearance between the top of the cooking surface and the bottom of an unprotected wood or metal cabinet.

** It is permissible to mount the cooktop as close as 2" [5.1 cm] away from a cabinet or wall on one side. The other side must be unobstructed.

CUTOUT DIMENSIONS AND REQUIREMENTS (CONT)

BEFORE YOU START

NOTICE

Do not install the cooktop above an unventilated oven or a dishwasher.

The cooktop is 2-1/2" [6.4 cm] deep, and requires a minimum 1" [2.5 cm] clearance below it.

If a drawer is directly below the cooktop, it and its contents must be heat resistant. Such a drawer should be placed/arranged so that nothing can be drawn from the drawer into the ventilation fans of the cooktop.

IMPORTANT PREPARATION SUGGESTIONS

Chamfer all exposed edges of decorative laminate to prevent damage from chipping.

Radius corners of cutout and file to ensure smooth edges and prevent corner cracking. A 1/4" or 3/8" [6.3 - 9.5 mm] diameter drilled hole at each corner to start the cut is recommended.

Rough edges, inside corners which have not been rounded and forced fits can contribute to cracking of the countertop laminate.

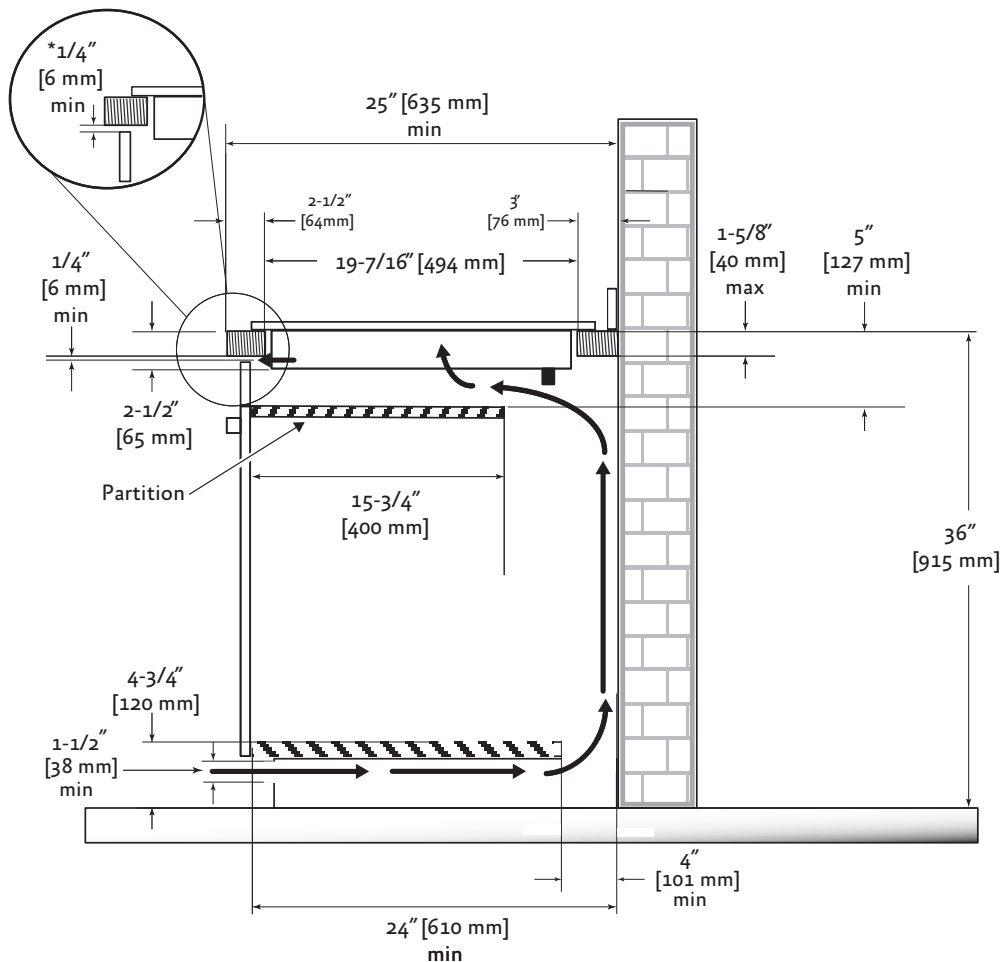
If the countertop material is susceptible to moisture, the cut edges should be sealed with a suitable sealer. All materials and adhesives must be able to withstand temperatures up to 200°F [93°C].

The junction box must be accessible with the cooktop in place.

For service purposes it is advisable to have enough access to the bottom of the cooktop so that it can be lifted out.

VERTICAL CLEARANCES

* The ventilation opening is to extend the full length of the cooktop cutout.



CUTOUT DIMENSIONS AND REQUIREMENTS (CONT.)

EN

Model	W
KICS30	30-5/16" [77.0 cm]
KICS36	36-5/32" [91.8 cm]

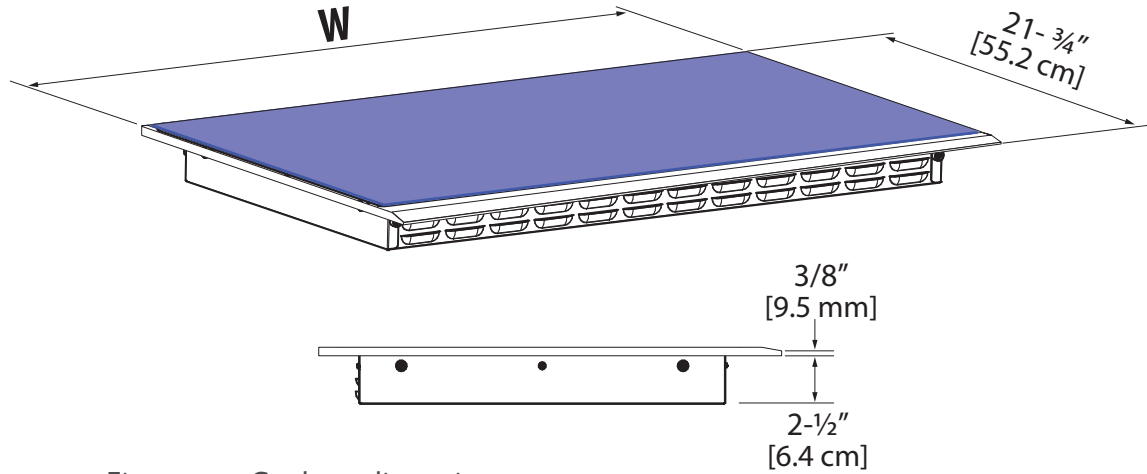


Figure 3. Cooktop dimensions

Model	F
KICS30	28-3/8" [72 cm]
KICS36	34-1/4" [87 cm]

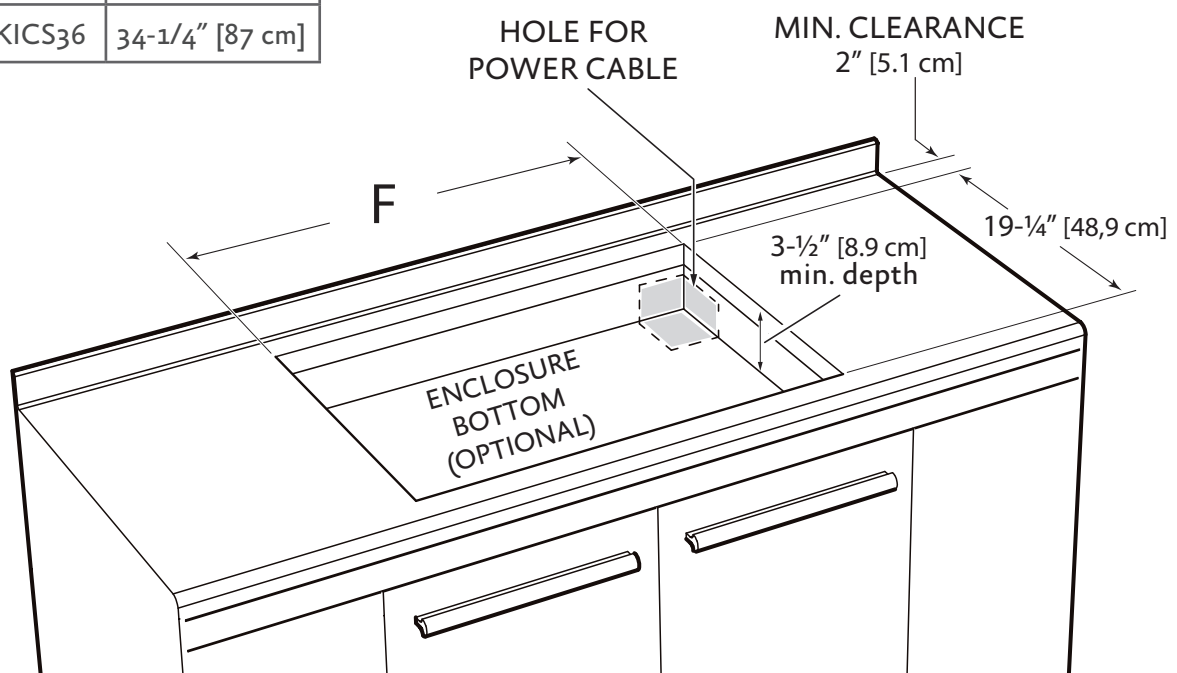


Figure 4. Cutout dimensions

COOKTOP INSTALLATION

CAUTION

EXCESSIVE WEIGHT HAZARD

Use two or more people to move and install cooktop. Failure to do so can result in back or other injury.

CUT HAZARD

Beware of sharp edges. Wear protective gloves or use the polystyrene ends when carrying the product. Failure to use caution could result in minor injury or cuts.

Always consult the countertop manufacturer for specific instructions.

Ensure the countertop is square and level and ensure no structural members interfere with space requirements.

Prepare the cutout according to the instructions (see cutout dimensions).

Make sure the wall coverings, countertop and cabinets around the cooktop can withstand heat (up to 200°F / 93°C).

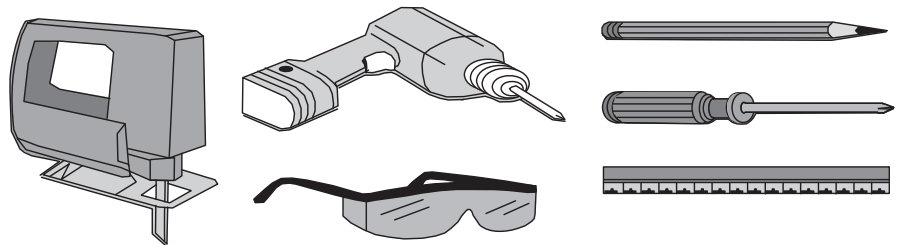


Figure 5. Needed tools

STEP 1

Remove packaging materials and literature package from the cooktop before beginning installation. Read this Installation Manual carefully before you begin.

STEP 2

Place a towel or cloth on the work surface. Place the cooktop face down on the protected area.

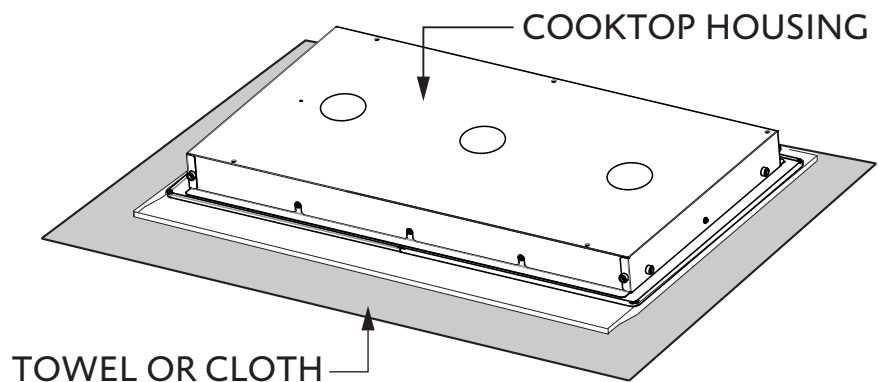


Figure 6. Protecting the surface

COOKTOP INSTALLATION (CONT)

STEP 3

A foam tape is provided to seal the cooktop to the countertop. Apply tape to the underside of the cooktop glass between the body of the cooktop and the inner edge of the metal frame.

There should be about 3/32" [2 mm] between the edge of the tape and the edge of the glass. Use tape around the entire glass perimeter.

The tape will retain the cooktop and seal against leaks into the cabinet. Trim the tape ends so that they meet with no gaps.

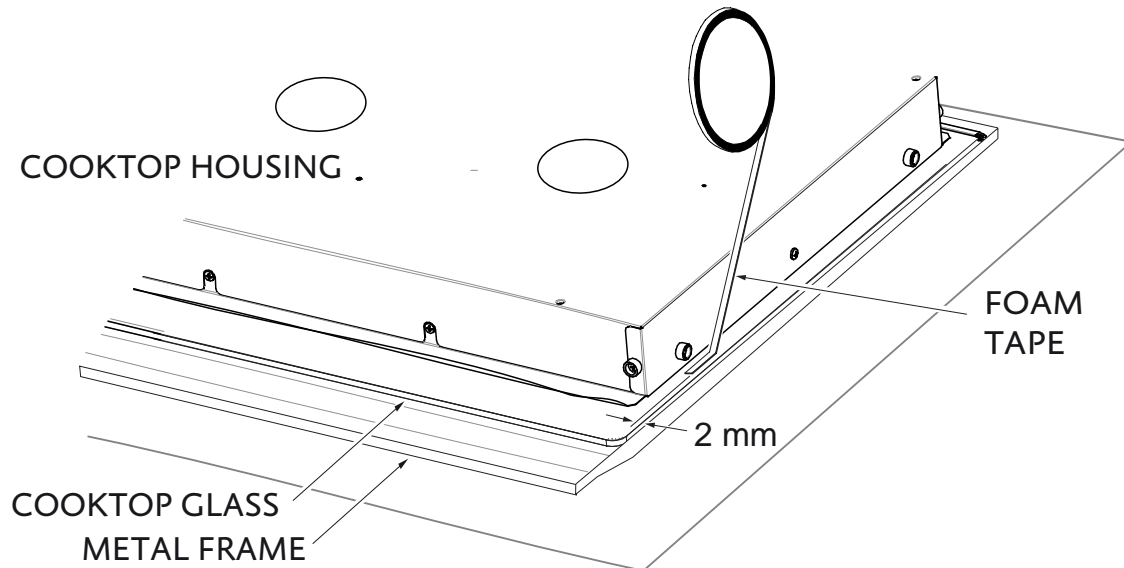


Figure 7. Apply foam tape

STEP 4

Make a final check that all required clearances are met.

Feed the cable through the cabinet as needed. Insert the cooktop centered into the cutout opening. Make sure the front edge of the cooktop is parallel to the countertop.

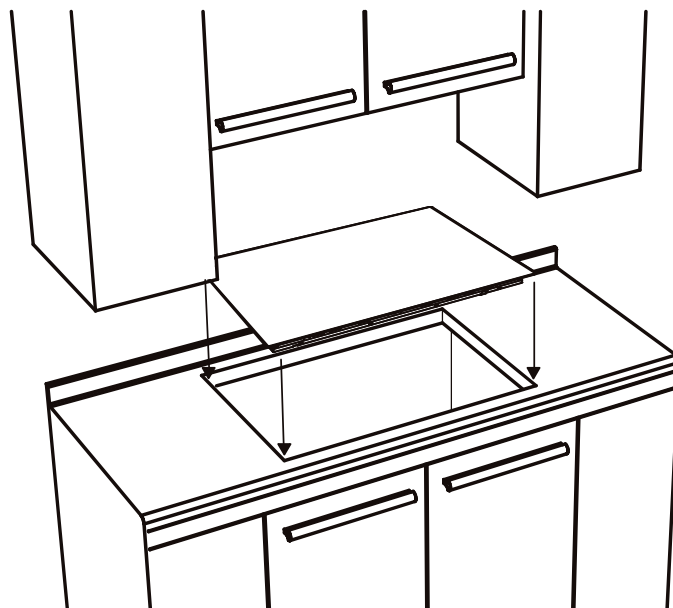


Figure 8. Placing cooktop

COOKTOP INSTALLATION (CONT.)

COOKTOP INSTALLATION OVER A SINGLE OVEN

CAUTION

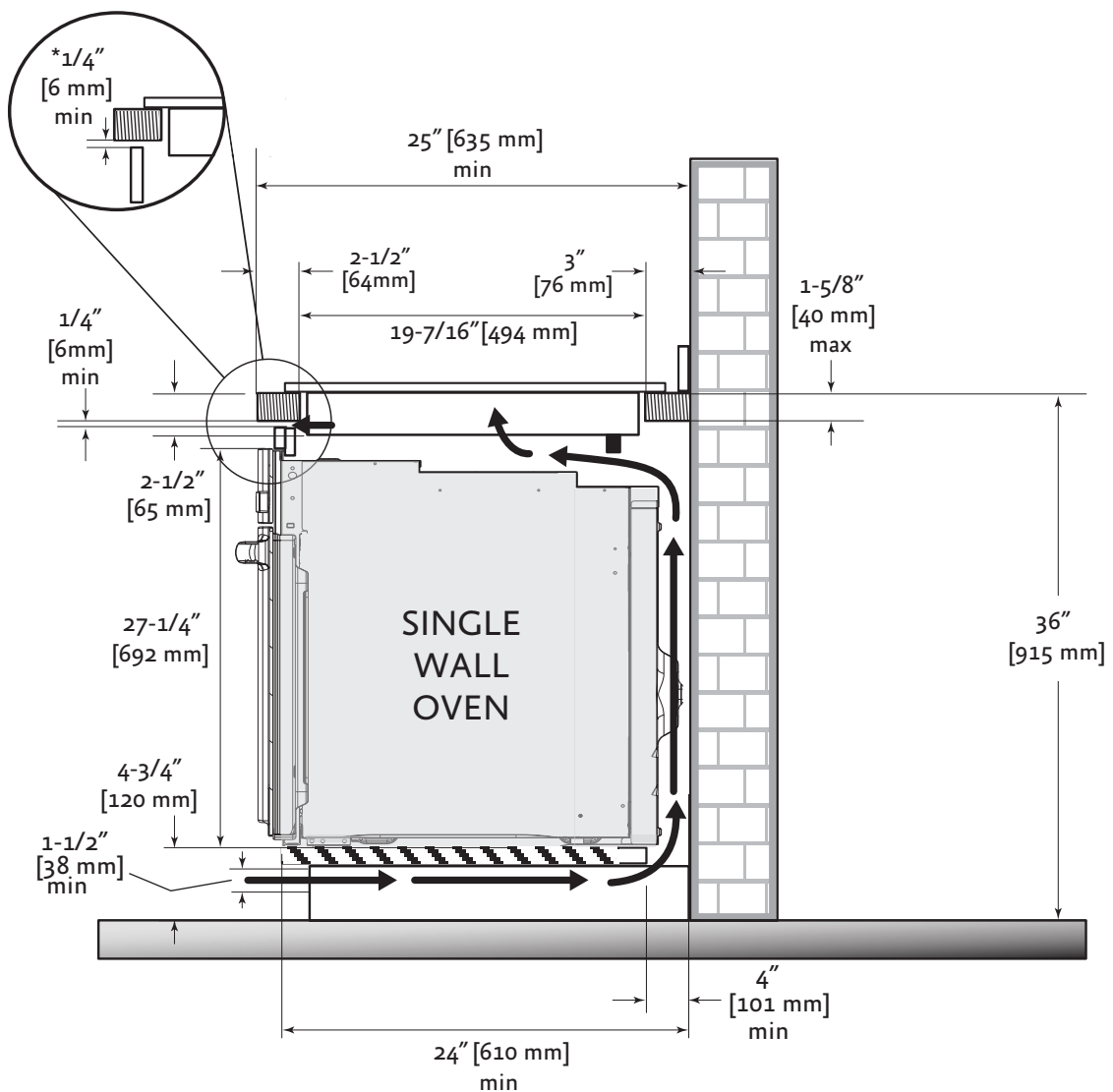
Use the countertop opening dimensions that are given with these instructions.

The cooktop may be installed over a single oven. The oven must exhaust out of the cooktop enclosure.

The cooktop should be centered over the oven.

The cooktop and the oven must be installed according to each specific installation instruction.

* The ventilation opening is to extend the full length of the cooktop cutout.



ELECTRICAL CONNECTIONS



WARNING Disconnect power before servicing the product. Failure to do so could result in death or electrical shock.



NOTICE Your cooktop can use 200-240V at 50 or 60 Hz.

EN

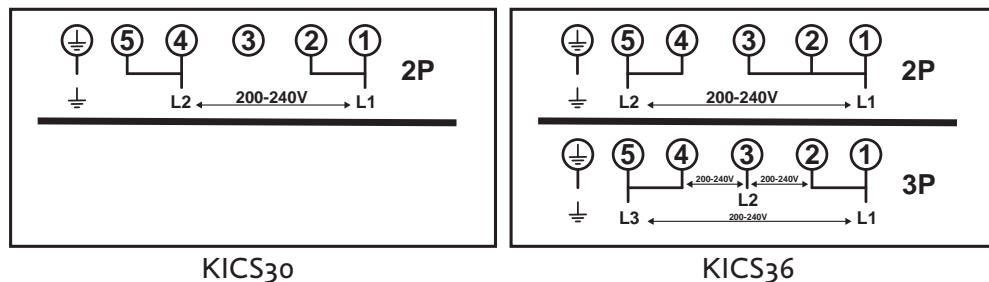
The connection leads are 3x8 AWG copper.

This cooktop does not require a neutral connection. If the cooktop is to be completely enclosed in a cabinet, feed the cooktop cable through the opening in the cabinet.

Make the electrical connection following the appropriate steps for your installation.

The 3/4" flexible conduit is 4-1/2 feet long [1.37 m] located at the right rear of the cooktop housing. Do not cut the conduit. It should be connected directly into a junction box with a U.L - or CSA - listed conduit connector.

- A dedicated time-delay fuse or circuit breaker is recommended.
- Do not ground to a gas pipe. Do not have a fuse in the grounding circuit.
- Both supply (phase) lines must be protected by fuses or a circuit breaker.
- Verify the jumper configuration on the bottom of the unit is as shown below before restoring power. Incorrect jumper configuration may result in an error code / improper function of the unit.



A three-wire, single-phase, 200-240 V, 60 Hz electrical system, properly circuit protected to meet local codes of NFPA No.70 must be provided. The unit must be properly grounded in accordance with local wiring codes. The chart on page 2 recommends the minimum circuit protector size if the appliance is the only unit on the circuit.

If smaller sizes of wire are used, the unit efficiency will be reduced and a fire hazard may be created. It is advisable that the electrical wiring and hookup be accomplished by a competent electrician.

National Fire Protection Association (NFPA)
1 Batterymarch Park
Quincy, Massachusetts
02169-7471
USA

JUNCTION BOX LOCATION

The ELECTRICAL CONDUIT is 4-1/2 feet [1.37 m] long. DO NOT CUT THIS CONDUIT.

The junction box must be located where it will allow considerable slack in the conduit for serviceability.

- Place junction box so that the conduit will easily reach it. Make sure that the conduit will clear any drawers or other obstructions.
- Install junction box so that it can be reached through the front of the cabinet.

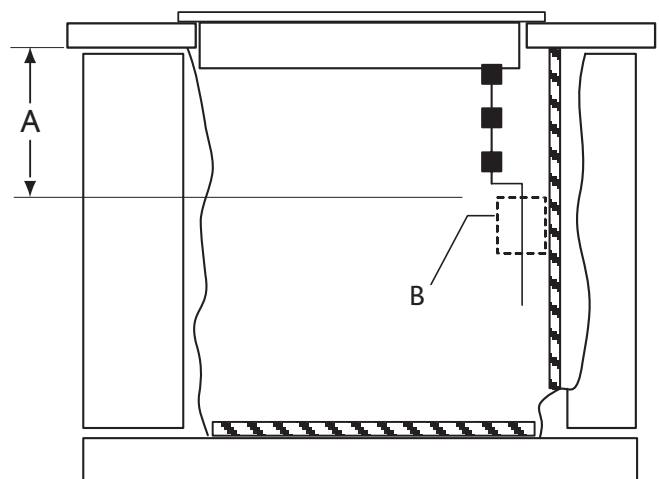


Figure 9. Location of electrical connection

ELECTRICAL CONNECTIONS (CONT)

This appliance is manufactured with a green ground wire connected to the cooktop chassis. After making sure that the power has been turned off, connect the flexible conduit from the cooktop to the junction box using a U.L. listed conduit connector. The instructions provided below present the most common way of connecting the cooktop. Your local codes and ordinances, of course, take precedence over these instructions. Complete electrical connections according to local codes and ordinances.

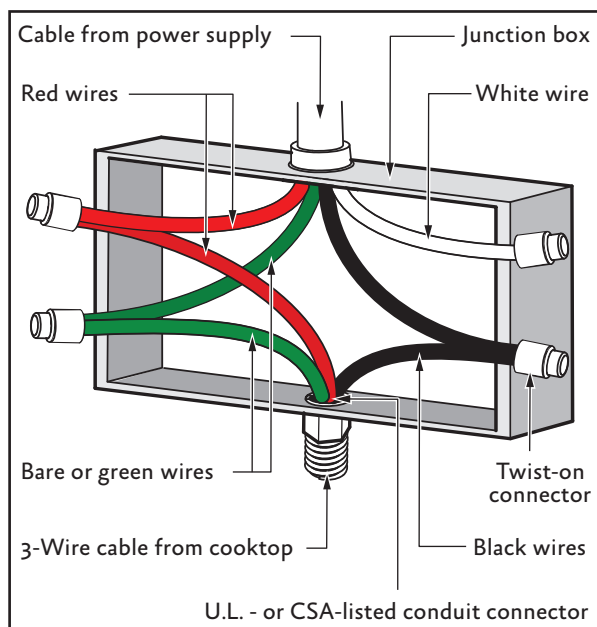
⚠️ WARNING

RISK OF ELECTRIC SHOCK. The frame is grounded to neutral of appliance through a link.

Grounding through the neutral conductor is prohibited for new branch circuit installations (1996 NEC); mobile homes, and recreational vehicles, or in an area where local codes prohibit grounding through the neutral conductor.

4-WIRE BRANCH CIRCUIT

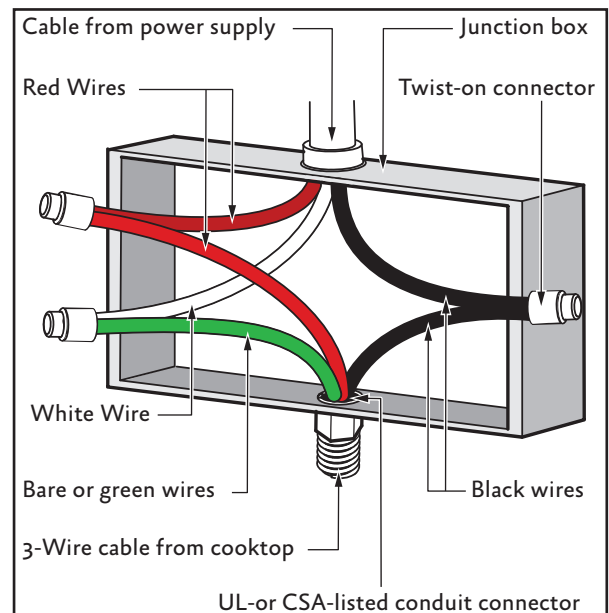
- 1) Connect the green ground wire from the cooktop to the ground wire in the junction box (bare or green colored wire)
- 2) Connect the red and black leads from the cooktop to the corresponding leads in the junction box.
- 3) Terminate and insulate the neutral (gray or white colored wire) in the junction box.



3-WIRE BRANCH CIRCUIT

Where local codes allow the connection of ground wire from the cooktop to the branch circuit neutral wire (gray or white colored wire) proceed as follows:

- 1) If local codes permit, connect the green GROUND wire from the cooktop to the branch circuit neutral wire (gray or white colored wire).
- 2) Connect the red and black leads from the cooktop the corresponding leads in the junction box.



Where local codes permit connecting the frame-ground conductor to the neutral (white) junction box wire.

(Not used for Canadian installations)

FINAL SETUP

CLEANUP, VERIFY POWER

Remove any final packaging materials and protective film from all exterior areas.

Check the electrical requirements for the correct electrical supply and that the cooktop is properly grounded.

Check power at the junction box wires using a voltmeter having a range of 0-250 VAC.

- A 240 Volt supply should read 220 to 240 Volts between the black and red wires (Line to Line).
- A 208 Volt supply should read 190 to 208 Volts between the black and red wires.

FUNCTIONAL TEST

The following test will confirm that the cooktop is working correctly.

- 1) Fill an induction-capable cookware piece with 1/2 - 1" [1.2-2.5 cm] of water and place it on one of the cooking zones.
- 2) Switch the Control ON by touching the Power key (1).
- 3) Touch the zone [ON/OFF] key (13) for the cook zone where the cookware is.
- 4) Touch the power slider for that zone and set it to a level between 3 and 9.
- 5) Observe that the display responds to the power setting, and observe that the cookware begins to heat up.
- 6) Touch the ON/OFF key (13) for that zone to turn it off.
- 7) Touch the Power key (1) to turn the cooktop off.

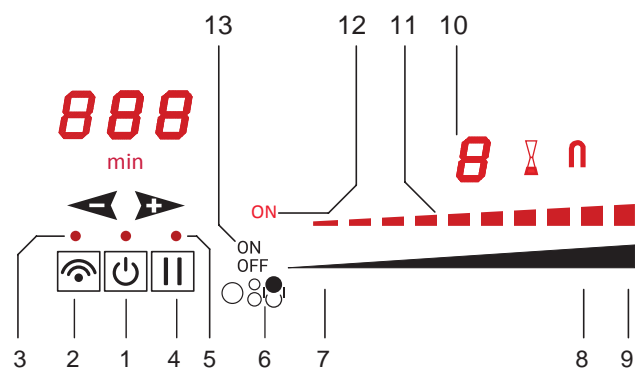


Figure 10. Cooktop controls

Item	Function	Item	Function
1	Power key	8	Power slider - maximum power
2	Connectivity key	9	Select Power Booster
3	Connectivity indicator	10	Cooking zone level display
4	Pause key	11	Power level indicator
5	Pause / Recall indicator	12	Cooking zone indicator
6	Graphic indicating controlled zone	13	Cooking zone ON/OFF
7	Power slider - minimum power		

CRITERIA

If the controls respond as described and the cookware heats up, then the test is successful.