

QUICK START GUIDE

Outdoor Kitchen Storage solutions

US CA NZ AU



Keep this document handy for easy reference.

- Before using your product, make sure you read the full 'Quick Start guide', with special attention to the 'Safety and warnings' section.
- For contact information or if you require service, assistance or replacement parts, see the end of this document or your 'Service & warranty' booklet.

SAFETY AND WARNINGS

⚠ WARNING!



Cut hazard

Take care - panel edges are sharp.
Failure to use caution could result in injury or cuts.

⚠ WARNING!



Crush hazard

Closing drawers may cause injury to your hands or fingers.
Always close or open drawers using their handles.
Be sure to keep hands away from drawer edges when opening or closing drawers.
Failure to use caution could result in injury or cuts.

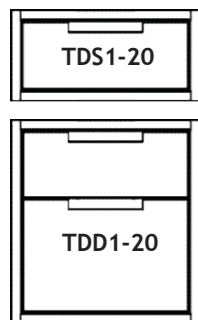
IMPORTANT SAFETY INSTRUCTIONS!

- Do not allow children or pets to play in or around your outdoor accessories. Children could be seriously injured if they climb onto or into these products.
DANGER: Risk of child entrapment. Before you throw away your old pantry:
 - take off the doors
 - leave the shelves and drawers in place so that children may not easily climb inside.

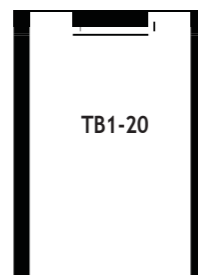
- Children, or persons with a disability which limits their ability to use the appliance, should have a responsible person to instruct them in its use. The instructor should be satisfied that they can use the appliance without danger to themselves or their surroundings.
- To avoid personal injury or damage to the products, do not overload the drawers or shelves. The maximum allowable weight for a drawer is 75 lbs / 35 kg.
- Your pantry and drawer units are not refrigerated. Do not store perishable foods in them.
- Ensure your beverage chiller has been correctly installed and connected to a drainage system.
- Do not store or use gasoline or other flammable vapors and liquids inside or in the vicinity of these or any other appliances.
- An LP cylinder not connected for use shall not be stored inside or in the vicinity of these products.
- After having unpacked the appliance, check to ensure that it is not damaged.
Packing elements (eg plastic bags, polystyrene foam, nails, packing straps, etc.) should not be left around within easy reach of children, as these may cause serious injuries.
- Follow the installation instructions. The manufacturer is not responsible for any damage or defects arising from improper installation.
- Some products are supplied with protective film on steel and aluminium parts. This film must be removed before using the appliance.
- Do not modify this appliance.

MODEL OVERVIEW

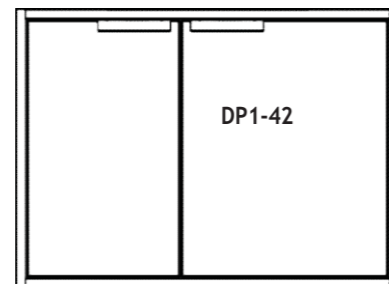
DRAWERS



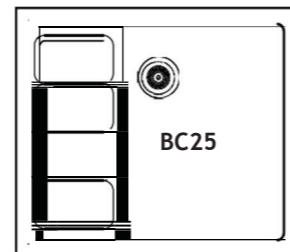
WASTE BASKET



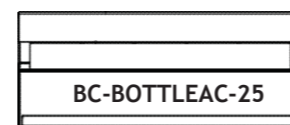
PANTRY



BEVERAGE CHILLER



BOTTLE HOLDER



PANTRY ARRANGEMENT (DP42 ONLY)

Important!

Letting the pantry door open more than 105 degrees could result in marking of the outer surface finish. Please exercise caution when opening the door and make sure that it is not opened more than 105 degrees.

Shelves

There is a choice of 3 positions for the two supplied shelves.

Drawers

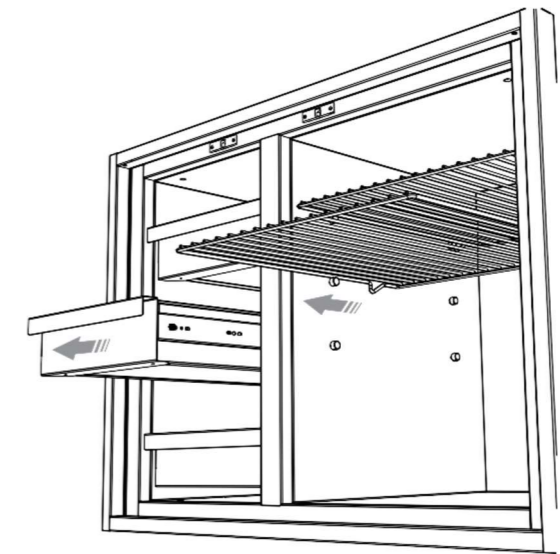
The drawer inserts are removable for ease of cleaning.

To remove:

Open the drawer fully and carefully lift out the insert.

You may also remove the entire drawer if required.

See 'Removing and replacing drawers'



WASTE BASKET (TB1-20 ONLY)

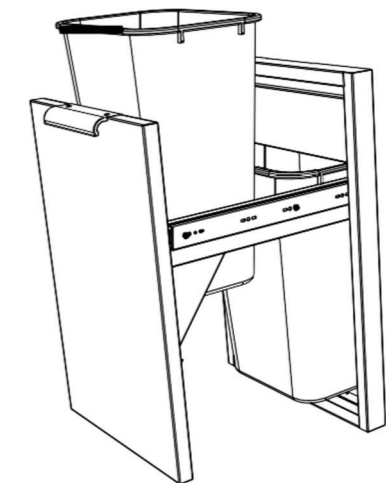
Important!

Do not use force to compact down trash as this may damage the drawer glides.

The maximum total weight the waste baskets can hold is 35 lbs / 16 kg each.

To avoid personal injury, caution should be used when lifting full trash bins.

The drawer is soft closing, which requires less force to close.



BEVERAGE CHILLER (BC25 ONLY)

The condiment tray sits in the chiller as shown.

The four individual containers and lids may be removed for cleaning / filling.

Beverage chiller lid

Ensure the lid sits level and secure on top of the chiller. The side of the lid with the shorter lip fits on the front of the beverage chiller. This allows the lid to sit flat if the bottle holder* is installed.

Drainage

We recommend plumbing your Beverage Chiller into a permanent drainage system. The connection to the drainage system must be made by a certified plumber and compliant with local and national code requirements.

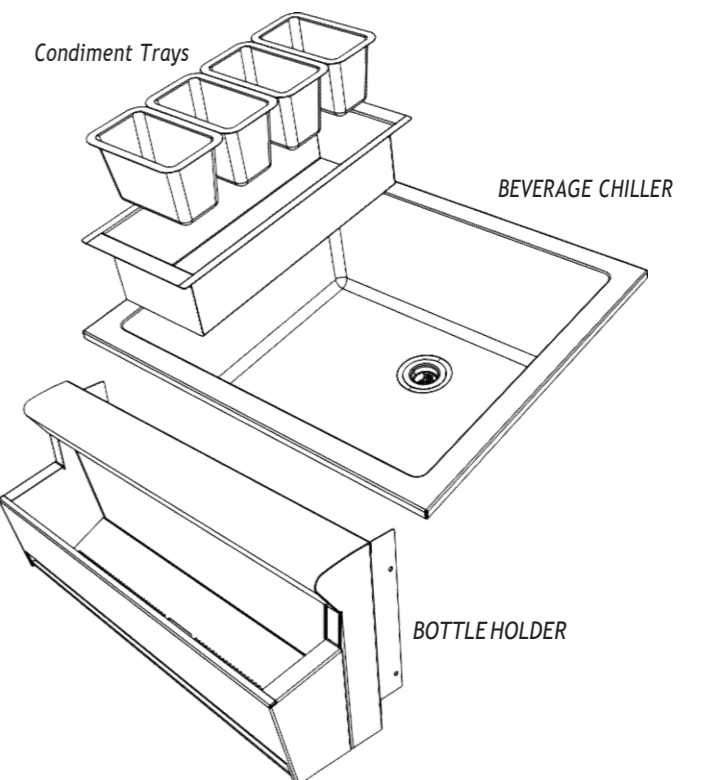
New Zealand & Australia only:

Use the supplied drain adapter to plumb the chiller.

*Bottle holder (optional)

The bottle holder is permanently fitted to the front of your beverage chiller. It comes with a removable drip tray for ease of cleaning.

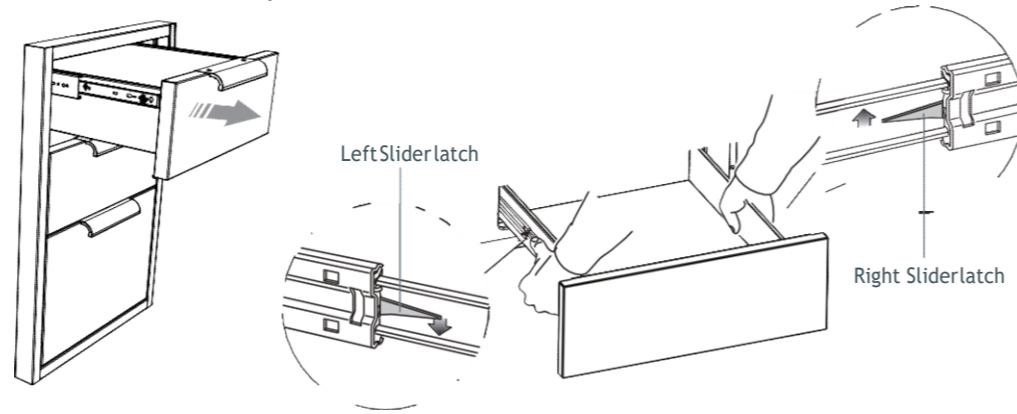
*purchased separately. Contact Customer Care or your Authorised DCS dealer; part no 71036.



REMOVING DRAWERS (SOME PRODUCTS ONLY)

To remove the drawer(s)

- 1 Remove the drawers by pulling them out until the slider latch is visible.
 - 2 Carefully push the latch down on the left side, while lifting up the latch on the right side.
 - 3 Pull the drawer out of the frame.
- Note: to prevent damage to surfaces, place the drawers on a stable surface on a protective towel or table cloth.

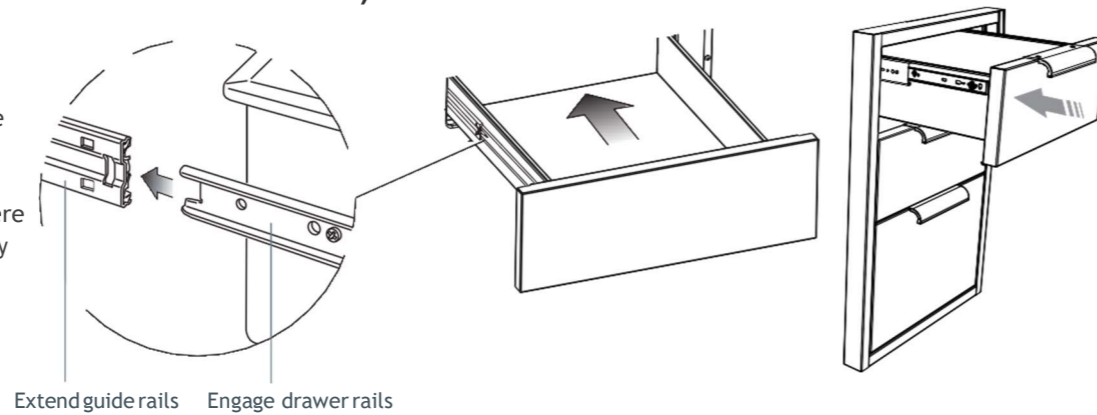


REPLACING DRAWERS (SOME PRODUCTS ONLY)

To replace the drawer(s)

- 1 Extend both guide rails out.
- 2 Engage the drawer rails into the guide rails. Pull the guide rails forward until they 'click' into place.
- 3 Push the drawer all the way in (there will be some resistance) to completely engage the drawer.

Note: drawers in all products except for the pantry unit are "soft closing".



CARE AND CLEANING

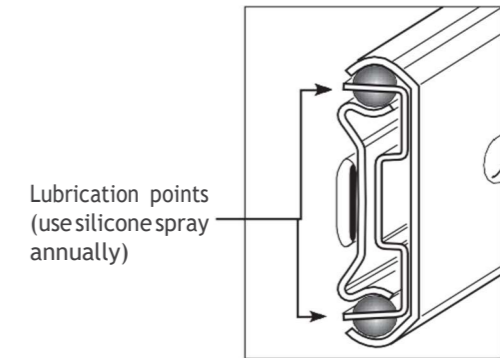
Important!

Do not use abrasive cleaners, steel soaps or sharp objects on stainless steel.

- Note: Stainless steel tends to corrode in presence of chlorides and sulfides especially in coastal areas. To ensure corrosion prevention, wash all stainless steel surfaces every 3-4 weeks with fresh water and stainless cleaner.
- These stainless steel products are made of mold resistant materials. However, to avoid staining or growth of mold, always empty, clean and dry your product(s) when not in use.
- Always use the mildest cleaning procedure first.
- Wipe soiling off with a cloth using a mild household detergent and wipe dry with a clean cloth.
- Regularly clean the drawers using hot soapy water. Rinse and dry with a clean soft cloth to avoid water marks.
- To maintain the exterior appearance, apply a stainless steel polish to the outside surfaces on a regular basis.
- Always read the label of your stainless steel cleaner to ensure it does not contain chlorine compounds.
- Always rub the stainless steel in the direction of the grain.

Drawer maintenance

- To maintain the smooth operation of the drawers, spray the bearing areas with silicone spray lubricant annually.



FOR MORE INFO

For warranty information

➤ see your 'Service and warranty' booklet

If you...

- have any questions or comments
- need a DCS by Fisher & Paykel authorized technician to service your product
- need replacement parts or accessories
- want to register your product

➤ see your 'Service and warranty' booklet or contact us

➤ USA
toll-free, 24/7

NZ

AU