





PINNA COLO
PIZZA OVENS

IBRIDO

HYBRID

Comes with **EVERYTHING**
but the gas or the wood!

Fuel Type: Gas/Wood



WHAT IS IN THE BOX



Thermometer



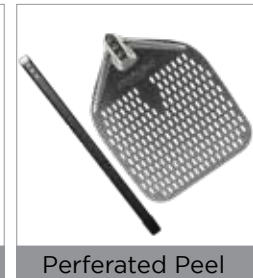
Rocker Cutter



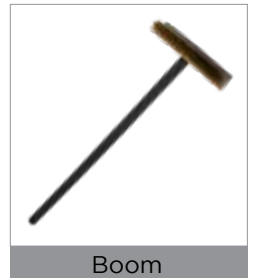
High Temp Gloves



2 Acacia Peels



Perferated Peel



Boom



Wood Seperator



Apron



Weather Cover



Tank Cover*

* Propane Tank Not Included
** Image Not Exactly As Shown

PINNACOLO™

PIZZA OVENS

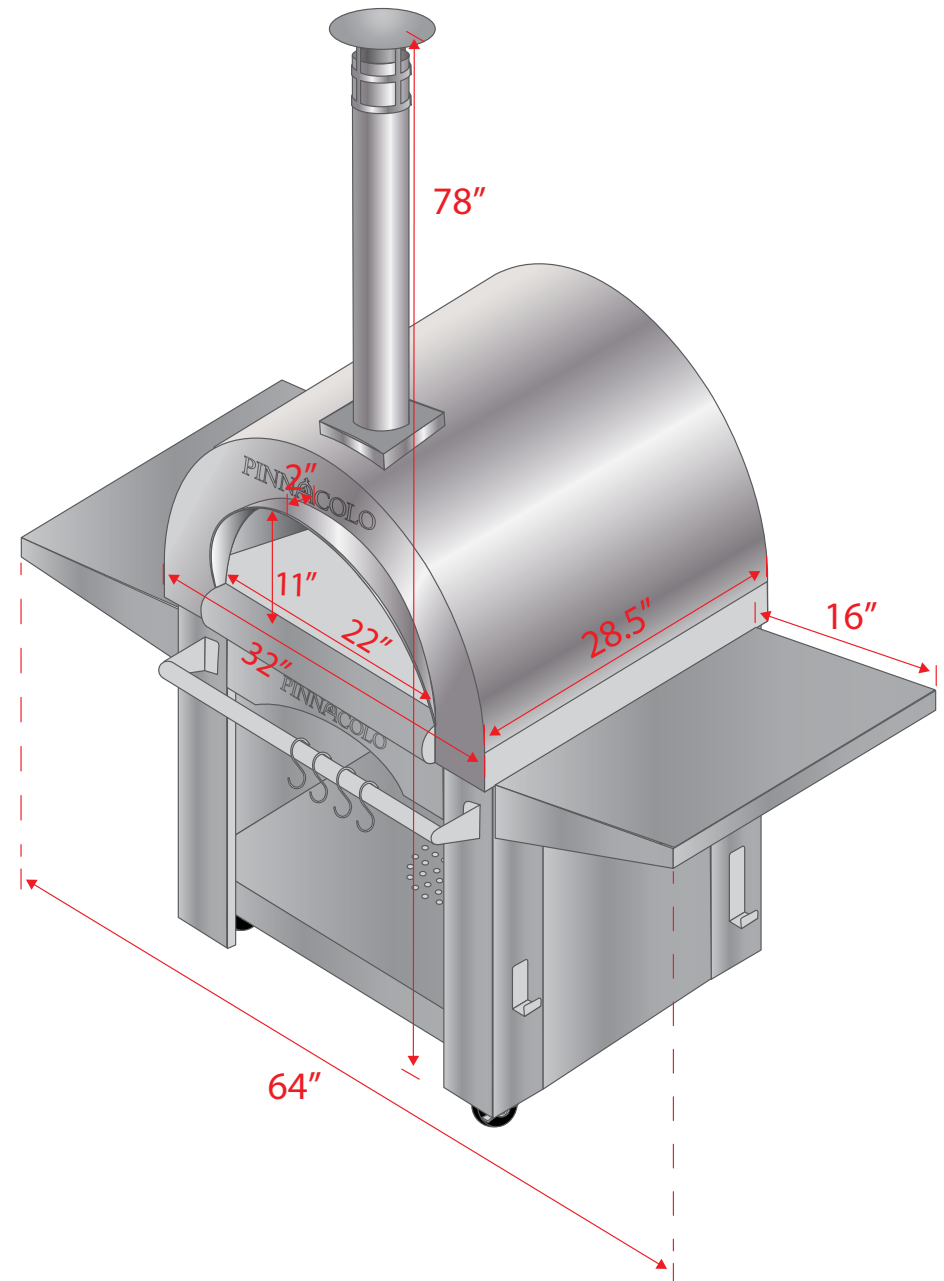
IBRIDO:

- CSA approved – means it has been tested to ensure years of safe use
- Easy to use Gas Ignition – simple press and turn ignition and flame control
- Rear mounted gas burner – provides easy no fuss operation
- Stainless Burner Cover – protection when you are cooking with wood
- Protected Storage area – holds your tank with extra space for wood storage
- Insulated double wall stainless steel dome – designed to focus the flames and helps retain heat
- Cordierite pizza stones – thermal shock resistant and retains heat for a crispier crust
- 2 Stainless steel side shelves – 16” wide shelves make preparation easier
- Stainless door visor – keeps the front of your oven cleaner
- Fixed Thermometer – instant view of the ambient temperature inside your oven
- Adjustable Chimney Damper – allows you to control the air flow and temperature
- Front mounted crossbar – Hang a towel and use S hooks to hang accessories
- Wheeled base with locking casters – lets you move your oven to best cooking position
- Large wooden door handle – stays cool and protects hands from high temperatures
- Complete selection of Tools – Ready for years of great food

Arrives at your door including:

- 12” Premium perforated Pizza Peel
- 2 Acacia wood peels
- Cleaning broom with scraper
- Double Handed Stainless Pizza Rocker cutter
- Full Weatherproof cover
- Weatherproof Tank Cover
- Infrared Thermometer
- High Temperature Gloves
- Stainless Steel fire separator
- And a Bonus PINNACOLO apron

COMPLETE WITH A 1 YEAR LIMITED WARRANTY



PINNACOLO
PIZZA OVENS



	PROPANE	RATE BTU INPUT	
Components	Orifice Size		
Main burner	1.78 MM	35,000 BTU/Hr	

