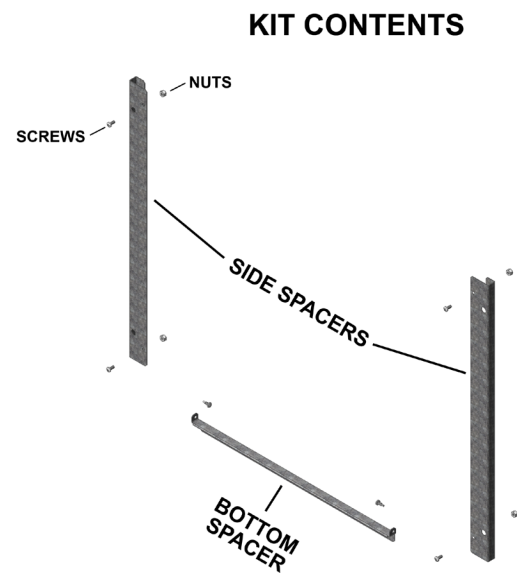
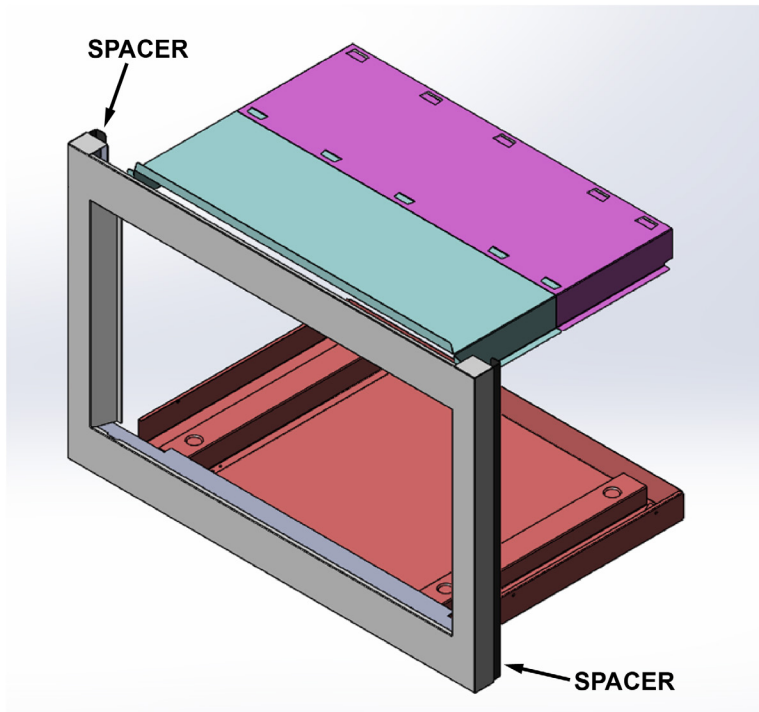


INSTRUCTIONS MICROWAVE SPACER KIT AKMWSK

THIS SPACER KIT MAY BE INSTALLED IN CONJUNCTION WITH THE MICROWAVE TRIM KIT AKMWCK₃₀ WHEN INSTALLING ABOVE A HESTAN WALL OVEN KSO₃₀.



IMPORTANT - READ ALL INSTRUCTIONS BEFORE YOU BEGIN

THE INSTRUCTIONS HEREIN SHOULD BE PERFORMED BY A QUALIFIED SERVICE TECHNICIAN. UNIT MUST BE UNPLUGGED FROM THE POWER OUTLET, OR THE ELECTRICAL BREAKER SHUT OFF. YOU WILL NEED TO MOVE THE APPLIANCE AWAY FROM THE WALL FOR ACCESS.

SOME PARTS INSIDE THIS KIT HAVE SHARP EDGES. CARE MUST BE TAKEN WHEN HANDLING THE VARIOUS COMPONENTS TO AVOID PERSONAL INJURY. WEAR GLOVES WHEN HANDLING.

TOOLS REQUIRED:

- Work gloves
- Safety glasses
- Phillips screwdriver
- 11/32" wrench or nut driver

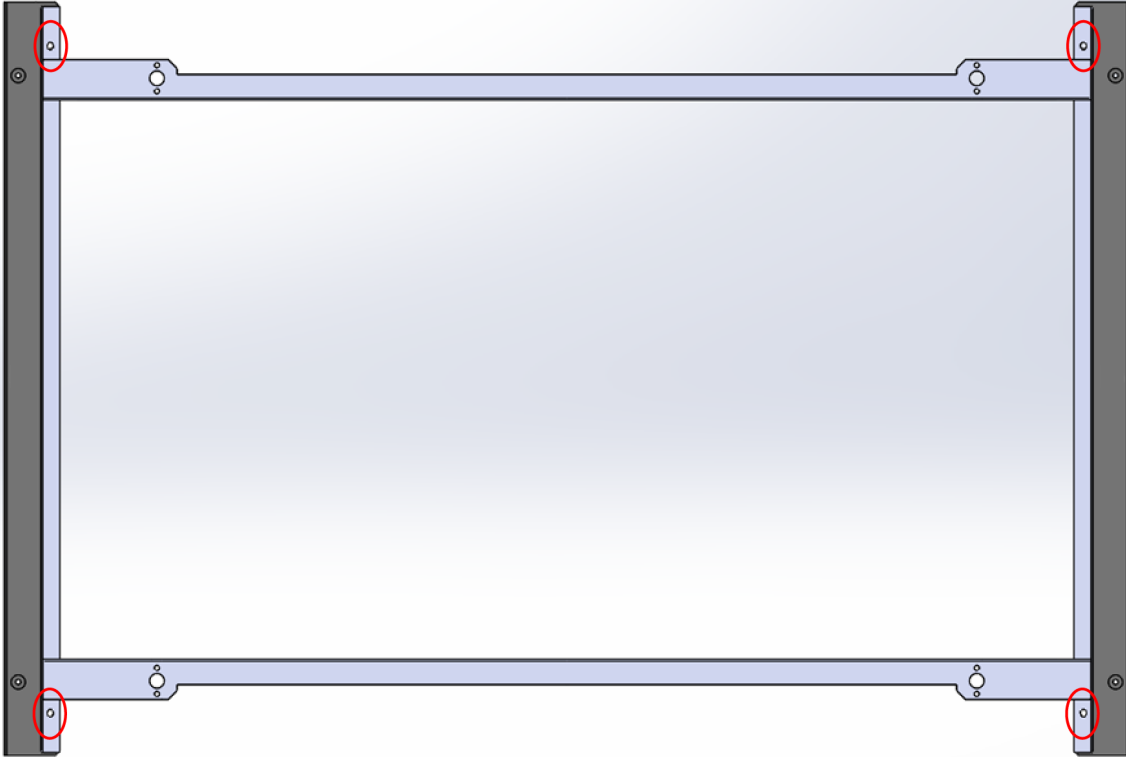


WARNING Electrical Parts & Components – disconnect all power supplies before servicing.

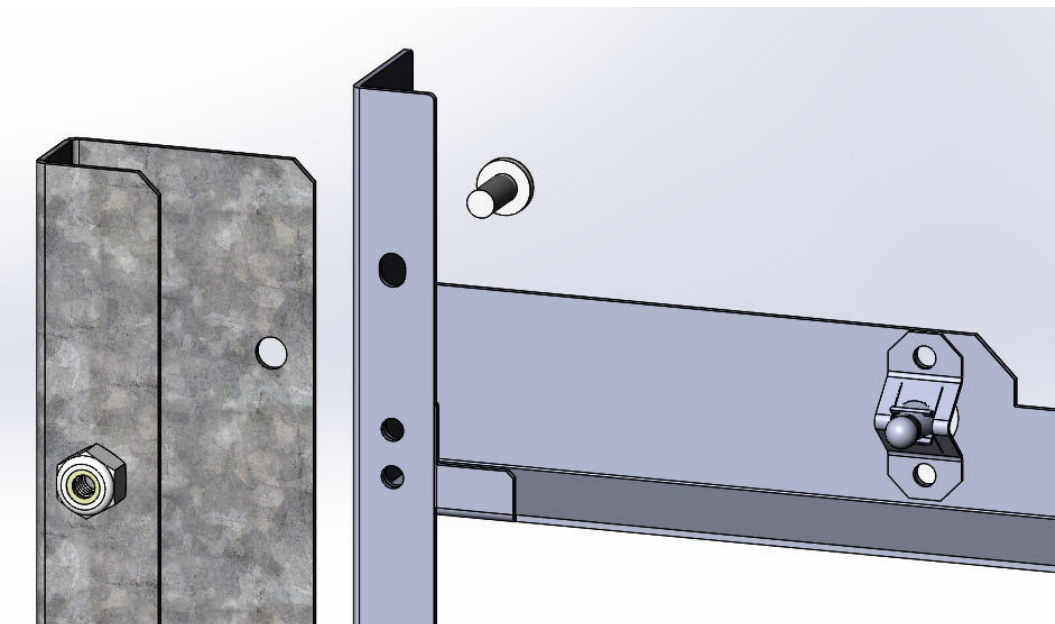
INSTALLATION INSTRUCTIONS

1. Install side spacers to the BACK of the frame (labeled "K") in the AKMWCK30 kit. Use the 4 existing holes (circled below in RED) to mount the brackets.

EN



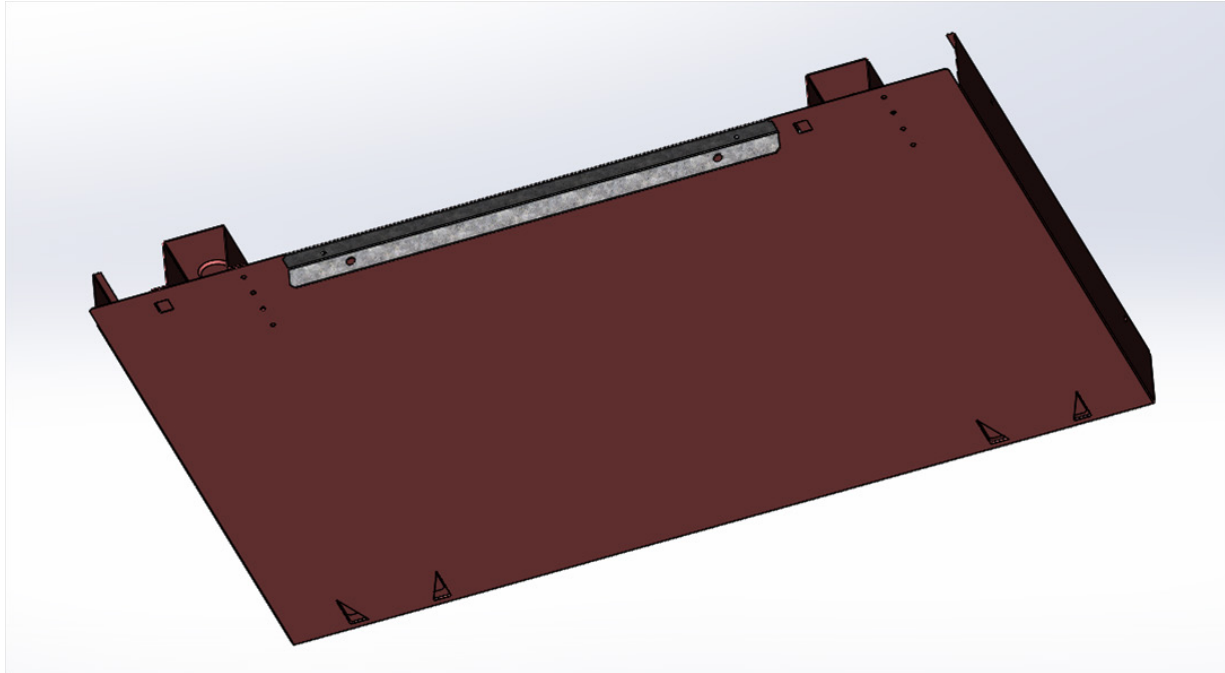
Secure with nuts and screws as shown.



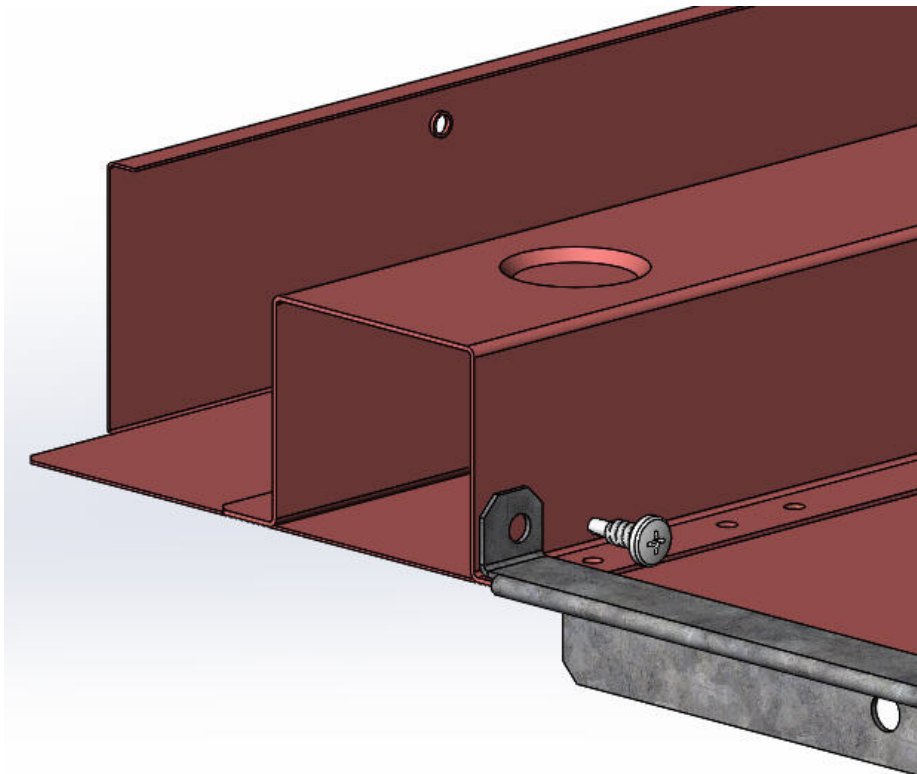
INSTALLATION INSTRUCTIONS *(CONTINUED)*

2. Install the bottom spacer to the bottom of the duct (labeled "F") in the AKMWCK30 kit. Slip the front edge of duct "F" into the hem of the bottom spacer.

EN



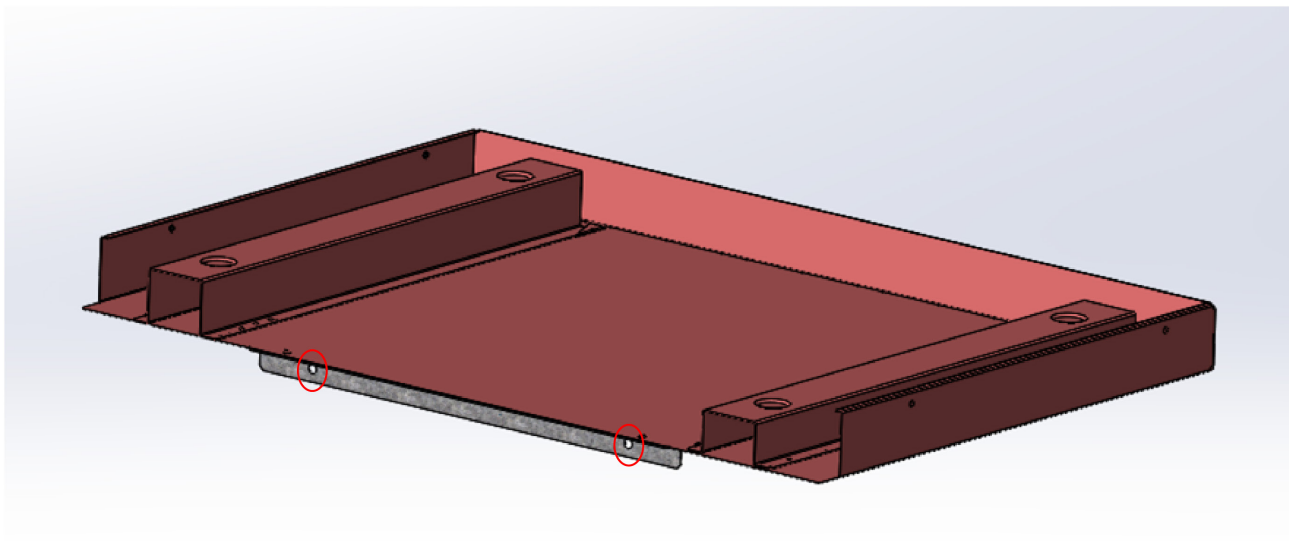
Secure by installing 2 self-drilling screws as shown below.



INSTALLATION INSTRUCTIONS *(CONTINUED)*

3. Install the duct with bracket to the cabinetry. Use the 2 holes (circled below in RED) to mount to the front of the cabinetry.

EN



4. Install the frame with brackets to the cabinetry. Use the 4 holes (circled below in RED) to mount to the front of the cabinetry.

Install the remainder of the Built-In Kit as per the instructions that came with that kit.

