



INDOOR COOKING

Microwave Built-In Kit

AKMWCK

Installation Manual

 **HESTAN**

▲WARNING

IF THE INFORMATION IN THIS MANUAL IS NOT FOLLOWED EXACTLY, A FIRE OR EXPLOSION MAY RESULT CAUSING PROPERTY DAMAGE, PERSONAL INJURY, OR DEATH.

Do not store or use gasoline or other flammable vapors and liquids in the vicinity of this or any other appliance.

Installation and service must be performed by a qualified installer or service agency.

DO NOT REPAIR, REPLACE OR REMOVE ANY PART OF THE APPLIANCE UNLESS SPECIFICALLY RECOMMENDED IN THE MANUAL. IMPROPER INSTALLATION, SERVICE OR MAINTENANCE CAN CAUSE INJURY OR PROPERTY DAMAGE. REFER TO THIS MANUAL FOR GUIDANCE. ALL OTHER SERVICING SHOULD BE DONE BY A HESTAN AUTHORIZED SERVICE TECHNICIAN.

READ THESE INSTRUCTIONS CAREFULLY AND COMPLETELY BEFORE INSTALLING OR USING YOUR APPLIANCE TO REDUCE THE RISK OF FIRE, BURN HAZARD, OR OTHER INJURY. KEEP THIS MANUAL FOR FUTURE REFERENCE.

SAFETY DEFINITIONS

▲WARNING

THIS INDICATES THAT DEATH OR SERIOUS INJURY MAY OCCUR AS A RESULT OF NOT OBSERVING THIS WARNING

▲CAUTION

THIS INDICATES THAT MINOR OR MODERATE INJURY MAY OCCUR AS A RESULT OF NOT OBSERVING THIS WARNING.

NOTICE

THIS INDICATES THAT DAMAGE TO THE APPLIANCE OR PROPERTY MAY OCCUR AS A RESULT OF NOT OBSERVING THIS WARNING.

INSTALLER: LEAVE THIS MANUAL WITH THE OWNER OF THE APPLIANCE.

HOMEOWNER: RETAIN THIS MANUAL FOR FUTURE REFERENCE.

CONTENTS

- 1 SAFETY PRECAUTIONS - BEFORE YOU BEGIN
- 2 INSTALLATION INSTRUCTIONS
- 2 APPLICATION AND PURPOSE
- 3 STEP 1 - CABINET OR WALL OPENING
- 3 STEP 2 - EXHAUST DUCT ASSEMBLY
- 5 STEP 3 - SURFACE INSTALLATION

SAFETY PRECAUTIONS - BEFORE YOU BEGIN

When properly cared for, your Hestan appliance will provide safe, reliable service for many years. When using this appliance, basic safety practices must be followed as outlined below.

IMPORTANT: Save these instructions for the local Gas or Utility Inspector's use.

INSTALLER: Please leave this Installation Manual with the owner.

OWNER: Please retain this Installation Manual for future reference.

Do NOT install this appliance outdoors.

⚠ WARNING

ELECTRICAL SHOCK HAZARD

Disconnect power before installing or servicing appliance. Failure to do so can result in electrical shock or death. It is the responsibility of the user to have the appliance connected by a licensed electrician in accordance with all applicable codes and standards, including fire-related construction, or in the absence of local codes, in accordance with the National Electrical Code.



ELECTRICAL GROUNDING

- This appliance must be grounded. Grounding reduces the risk of electric shock in the event of a short circuit. Read the ELECTRICAL SUPPLY section of the appliance installation manual for complete instructions.
- This appliance is equipped with a 3-prong grounding plug for your protection against shock hazard and should be directly plugged into a properly grounded receptacle. Do not cut or remove the grounding prong from this plug.

ELECTRICAL SUPPLY

The appliance must be on its own dedicated circuit - 120 VAC, Single Phase, 60 Hz, with a current rating of 15 Amps. Have the installer show you where the electric circuit breaker is located so you know how to shut off the power to this appliance.

INSTALLATION INSTRUCTIONS

APPLICATION AND PURPOSE

The AKMWCK27 and AKMWCK30 Built-In Kit kits are UL approved to allow certain microwave ovens to be installed above any electric wall oven. Please see the operation manual regarding approved built-in applications.

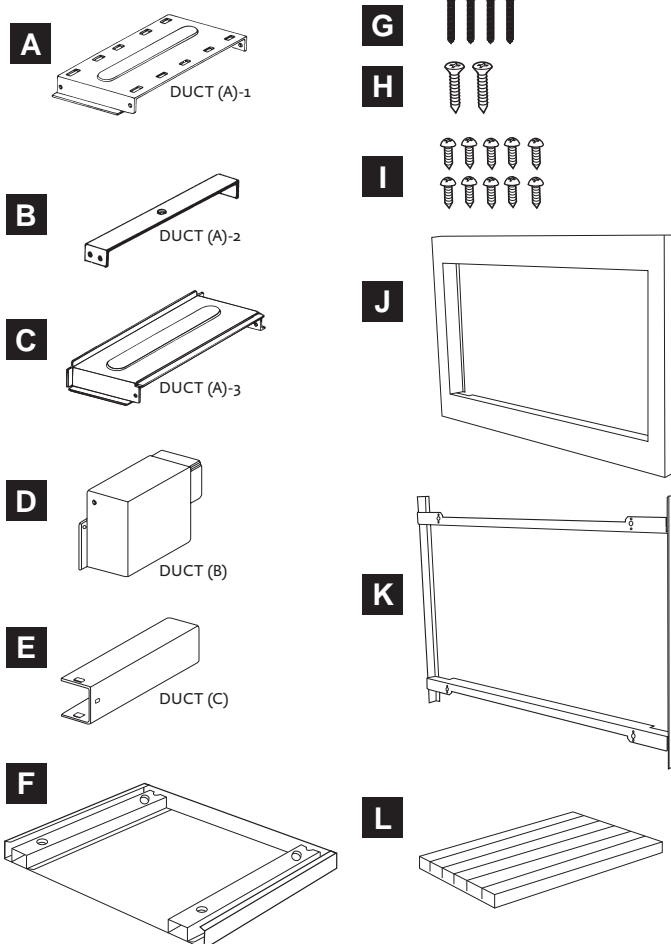
CAUTION

This Built-in Kit is designed for and approved only for those HESTAN Microwave Ovens specifying Built-In Kit AKMWCK27 or AKMWCK30, such as KMWC24. Refer to the Convection Microwave Use and Care Manual or www.hestanhome.com.

PLEASE READ THESE INSTRUCTIONS THOROUGHLY BEFORE BEGINNING INSTALLATION!

Always DISCONNECT THE PLUG of the microwave oven from the electrical outlet before installing the Built-in Kit. Remove the turntable from the oven cavity.

Because the kit includes metal parts, due caution should be used in handling and installation to avoid the possibility of injury.



ITEM	PART NAME	QTY
A	DUCT (A)-1	1
B	DUCT (A)-2	1
C	DUCT (A)-3	1
D	DUCT (B)	1
E	DUCT (C)	1
F	BOTTOM DUCT ASSEMBLY	1
G	M3.9-16MM PAN HEAD TAPPING SCREW, ZINC	4
H	WOOD SCREW	2
I	CABINET SCREW/ CLEAR	10
J	FRONT FRAME	1
K	BACK FRAME	1
L	CUSHION SHEET	1

Check list for parts when unpacking.

Note: Front Frame (J) and Back Frame (K) are shipped attached. Snap apart before installation.

INSTALLATION INSTRUCTIONS (CONT.)

STEP 1 CABINET OR WALL OPENING

Provide an opening in the wall or cabinet as indicated in Figure 1. The depth should be a minimum of 20-1/8" [51.1 cm]. If the Depth (E) dimension is greater than 21" [53.3 cm], the outlet location may be in any area on the rear wall. The floor of the opening should be constructed of plywood strong enough to support the weight of the oven - approximately 100 lbs. [45kg], and should be level for proper operation of the oven.

NOTE: While the proper function of the oven does not require that the opening be enclosed (with sides, ceiling and rear partition), this may be required by local code, and it is suggested that the local code be checked for any such requirement.

The opening in the wall or cabinet must be within the following dimensions, centered horizontal to the cabinet.

	AKMWCK27	AKMWCK30
A	20" [50.8 cm]	20" [50.8 cm]
B	26-7/8" [68.3 cm]	29-7/8" [75.9 cm]
C	18-1/2" [47 cm]	18-1/2" [47 cm]
D	25-1/4" [64.1 cm]	25-1/4" [64.1 cm]
E	Min. 20-1/8" [51.1 cm]	Min. 20-1/8" [51.1 cm]
F	5" [12.7 cm]	5" [12.7 cm]
G	10" [25.4 cm]	10" [25.4 cm]

Outlet should NOT be in the shaded area as indicated on Figure 1.

NOTE: If the dimension of DEPTH (E) is more than 21" [53.3 cm], the outlet location may be any area on the rear wall.

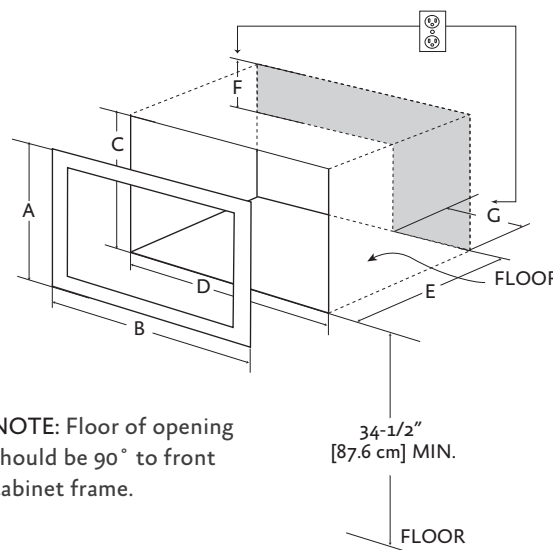


Figure 1

STEP 2 EXHAUST DUCT ASSEMBLY

A. Insert the edge of DUCT (B) into the hold lip of DUCT (C). Secure together by using a SCREW (I) provided in the kit. See Figure 2.

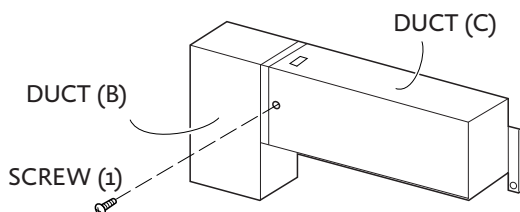


Figure 2

B. Position DUCT (A)-1 on the top of the oven inserting edge of DUCT (BC) assembly into hole lip of DUCT (A)-1. Tighten two SCREWS (I), securing DUCT (A)-1 to DUCT (BC) assembly. See Figure 3.

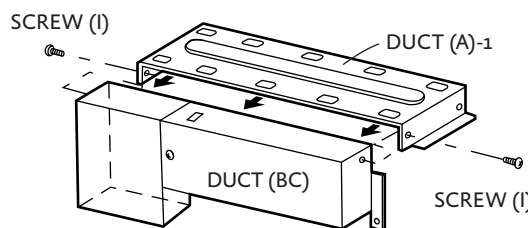


Figure 3

INSTALLATION INSTRUCTIONS (CONT.)

C. Position DUCT (A)-2 on the top of the oven and insert it into the hold lip of DUCT (A)-1. Secure DUCT (A)-2 to DUCT (A)-1 using two SCREWS (I) provided. See Figure 4.

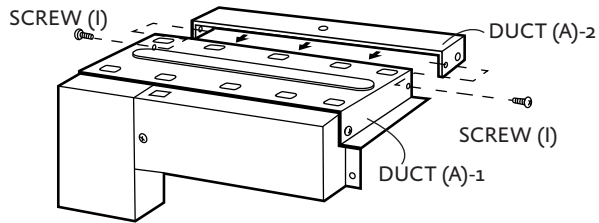


Figure 4

E. Carefully turn over exhaust assembly. Remove adhesive backing from CUSHION L. The cushion should be applied to the flanges of the duct assembly as indicated by arrows. See Figure 6.

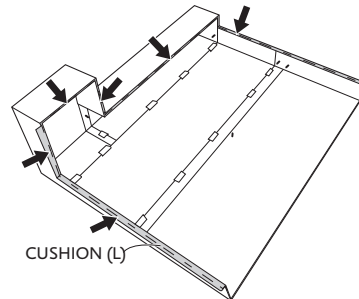


Figure 6

D. Position DUCT (A)-3 on top of the oven and insert it into DUCT (A)-2. Secure DUCT (A)-3 using three SCREWS (I) provided. See Figure 5.

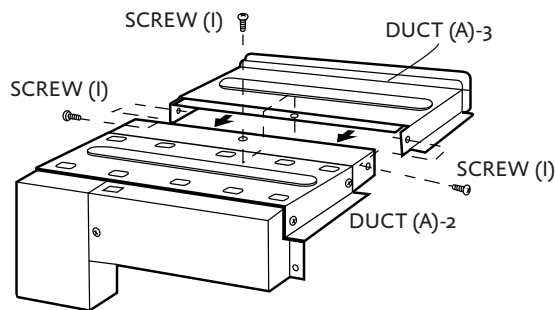


Figure 5

F. Remove SCREW from the upper right and left corners at the rear of the oven. Place duct assembly on the top of the unit as shown and secure the duct assembly to the oven using the two screws just removed from the oven. See Figure 7.

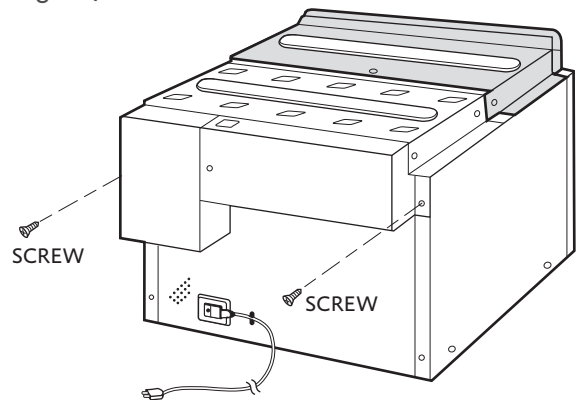


Figure 7

INSTALLATION INSTRUCTIONS (CONT.)

STEP 3 SURFACE INSTALLATION

A. **BOTTOM DUCT ASSEMBLY:** Place the Bottom duct in the center of the opening so that gap "A" is equal to gap "B". When the Bottom Duct assembly is positioned properly, the front edge of the duct will be flush with the front of the cabinet. Secure with 2 SCREWS (H). See Figure 8.

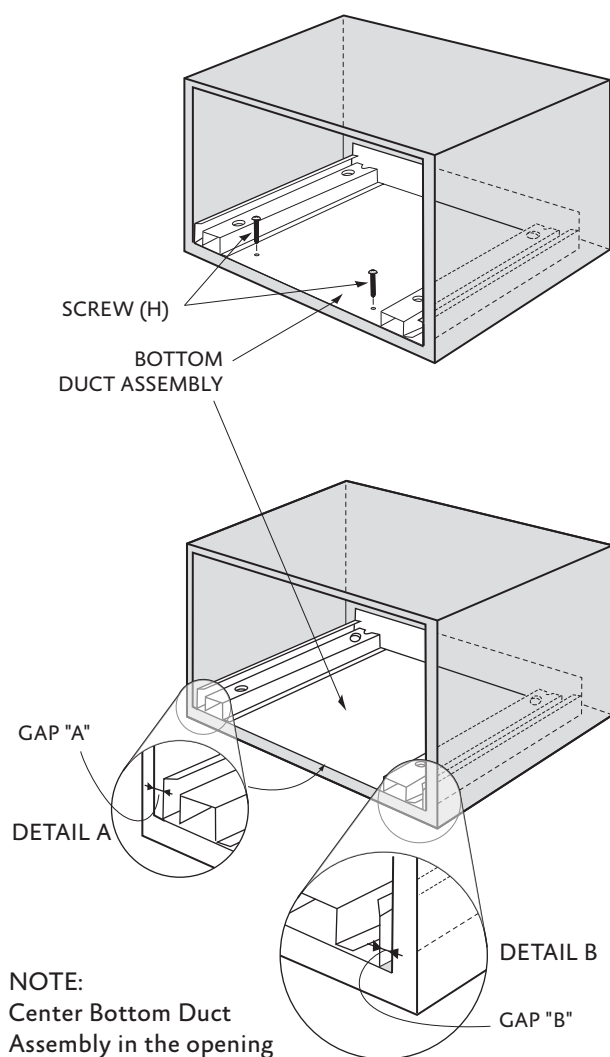


Figure 8

B. **CABINET INSTALLATION:** Place the oven adjacent to the wall or cabinet opening. Plug the power cord into the electrical outlet. Carefully guide the assembled oven into the prepared opening. Slide the oven on the Bottom Duct assembly. See Figure 9.

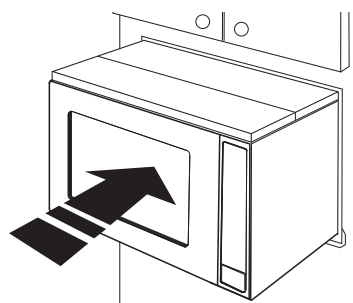


Figure 9

C. **CABINET INSTALLATION:** Avoid pinching the cord between the oven and the wall. Adjust the position of the oven so that the feet of the oven are fitted into the holes of the Bottom Duct Assembly. See Figure 10.

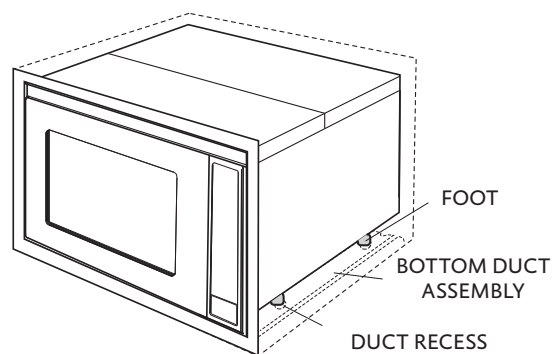


Figure 10

INSTALLATION INSTRUCTIONS (CONT)

D. DISASSEMBLY: The FRONT FRAME (J) and BACK FRAME (K) come pre-assembled with ball studs engaged in the receivers.

- To Separate the FRONT FRAME from the BACK FRAME:
 - Place the assembly face down on a protected surface.
 - At the location of the ball stud, insert a flat head screwdriver between the FRONT FRAME and the BACK FRAME and gently pry up to disengage the ball stud from the receiver.
 - Repeat for each corner. See Figure 11.

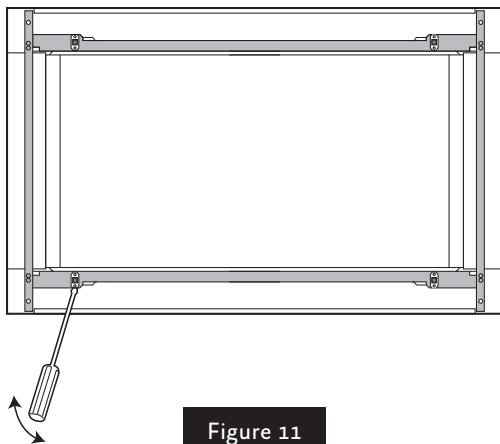


Figure 11

F. FRONT FRAME INSTALLATION:

- Place the FRONT FRAME (J) onto the BACK FRAME (K) and align ball studs and receivers.
- Secure the FRONT FRAME to the BACK FRAME by firmly pushing the front frame onto the back frame engaging the four (4) snap attachments. See Figure 13.

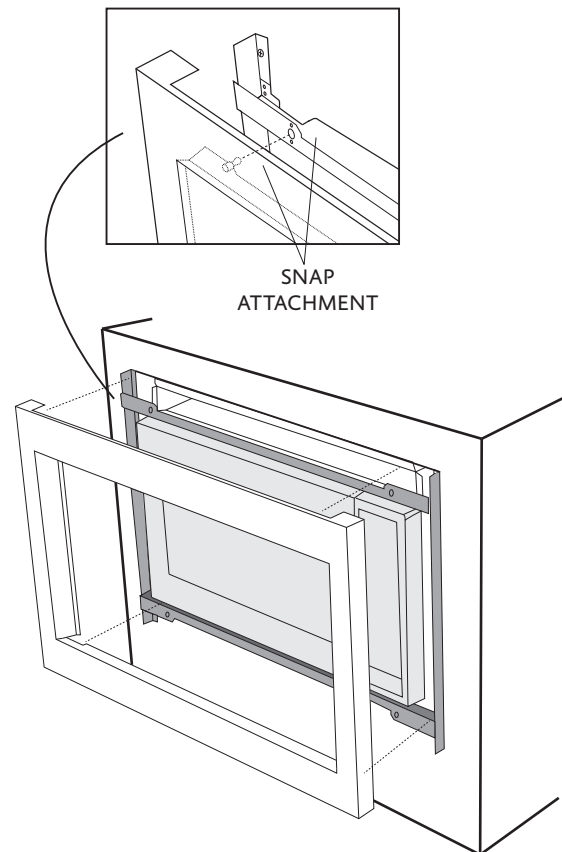


Figure 13

E. BACK FRAME INSTALLATION: Position back frame equal space top to bottom, side to side. Mark for 4 holes, center punch and pre-drill with 1/16" [1.45 mm] drill bit. Secure frame with 4 SCREWS (C). See Figure 12.

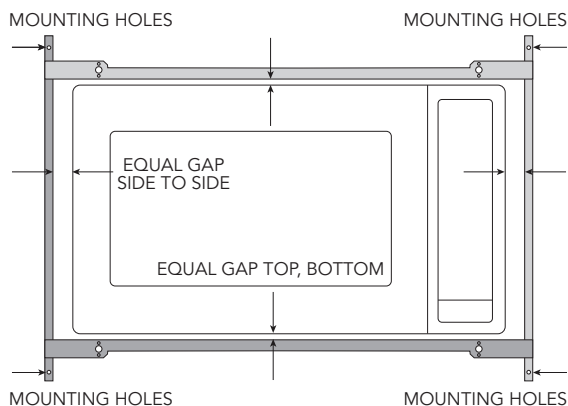


Figure 12