



MASTERBUILT®

Welcome to the family. Let's get started.

ES40G1.5DW1

Digital Electric Smoker

Manual applies to the following model number(s)

MB20070122



Mfg. Date - Serial Number

These numbers are located on the rating label of the grill.

Your model number

IMPORTANT

Please record this information immediately and keep in a safe place for future use.

Manual Code: 9807210012 | 220105-GH

Master it. Masterbuilt.

WARNING

- This manual contains important information necessary for the proper assembly and safe use of the appliance.
- Read and follow all warnings and instructions before assembling and using the appliance.
- Keep this manual for future reference.



Failure to follow these instructions could result in fire, explosion or burn hazard which could cause property damage, personal injury, or death.



CARBON MONOXIDE HAZARD



- Burning wood chips gives off carbon monoxide, which has no odor and can cause death.
- DO NOT burn wood chips inside homes, vehicles, tents, garages or any enclosed areas.
- Use only outdoors where it is well ventilated.



WARNINGS AND IMPORTANT SAFEGUARDS



READ ALL INSTRUCTIONS

- Smoker is for OUTDOOR HOUSEHOLD USE ONLY.
- Never use inside enclosed areas such as patios, garages, buildings or tents.
- Never use inside recreational vehicles or on boats.
- Never operate smoker under overhead construction such as roof coverings, carports, awnings, or overhangs.
- Never use smoker as a heater (READ CARBON MONOXIDE HAZARD).
- Maintain a minimum distance of 10ft (3m) from overhead construction, walls, rails or other structures.
- Keep a minimum 10ft (3m) clearance of all combustible materials such as wood, dry plants, grass, brush, paper, or canvas.
- Keep appliance clear and free from combustible materials such as gasoline and other flammable vapors and liquids.
- Use smoker on a level, non-combustible, stable surface such as dirt, concrete, brick or rock.
- Smoker MUST be on the ground. Do not place smoker on tables or counters. Do NOT move smoker across uneven surfaces.
- Do not use smoker on wooden or flammable surfaces.
- Do not leave smoker unattended.
- Never use smoker for anything other than its intended use. This smoker is NOT for commercial use.
- Keep a fire extinguisher accessible at all times while operating smoker.
- Before each use check all nuts, screws and bolts to make sure they are tight and secure.
- Use of alcohol, prescription or non-prescription drugs may impair user's ability to properly assemble or safely operate smoker.
- Extreme caution must be used when moving an appliance containing hot oil or other hot liquids.
- Always attach plug to appliance first then plug cord into the wall outlet. To disconnect, turn the control to OFF, then remove plug from wall outlet.
- Do not use appliance for other than intended use.
- Fuel, such as charcoal briquettes, are not to be used with appliance.
- Use only on properly grounded outlet.
- A short power-supply cord (or detachable power-supply cord) should be used to reduce the risk resulting from becoming entangled in or tripping over a longer cord.
- Connection to an extension cord should be kept dry and off the ground.
- **WARNING:** Charcoal or similar combustible fuels must not be used with this appliance.
- The appliance should be supplied through a residual current device (RCD) having a rated residual operating current not exceeding 30 mA.
- The appliance is to be connected to a socket-outlet having an earthing contact (for class I appliances).
- The supply cord should be regularly examined for signs of damage and the appliance is not to be used if the cord is damaged.



WARNINGS AND IMPORTANT SAFEGUARDS

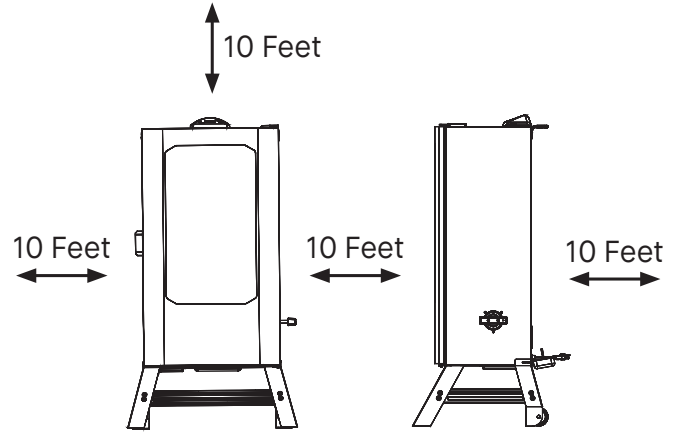


- Keep children and pets away from smoker at all times. Do NOT allow children to use smoker. Close supervision is necessary when children or pets are in the area where smoker is being used.
- Do NOT allow anyone to conduct activities around smoker during or following its use until it has cooled.
- Avoid bumping or impacting smoker.
- Never move smoker when in use. Allow smoker to cool completely (below 115°F (45°C)) before moving or storing.
- The smoker is HOT while in use and will remain HOT for a period of time afterwards and during cooling process. Use CAUTION. Wear protective gloves/mitts.
- Do not touch HOT surfaces. Use handles or knobs.
- Do not use wood pellets.
- Never use glass, plastic or ceramic cookware in smoker. Never place empty cookware in smoker while in use.
- Accessory attachments not supplied by Masterbuilt Manufacturing, LLC are NOT recommended and may cause injury.
- Wood chip tray is HOT when smoker is in use. Use caution when adding wood chips.
- Be careful when removing food from smoker. All surfaces are HOT and may cause burns. Use protective gloves or long, sturdy cooking tools.
- Always use smoker in accordance with all applicable local, state and federal fire codes.
- Dispose of cold ashes by placing them in aluminum foil, soaking with water and discarding in a non-combustible container.
- Do not store smoker with HOT ashes inside smoker. Store only when all surfaces are cold.
- When using electrical appliances, basic safety precautions should always be followed including the following: 1) Do not plug in electric smoker until fully assembled and ready for use. 2) Use only approved grounded electrical outlet. 3) Do not use during an electrical storm. 4) Do not expose electric smoker to rain or water at anytime.
- To protect against electrical shock do not immerse cord, plug or control panel in water or other liquid.
- Do not operate any appliance with a damaged cord or plug, or after appliance malfunctions or has been damaged in any manner.
- Longer detachable power-supply cords or extension cords are available and may be used if care is exercised in their use.
- If a longer detachable power-supply cord or extension cord is used: 1) The marked electrical rating of the cord set or extension cord should be at least as great as the electrical rating of the appliance; and 2) The cord should be arranged so that it does not drape over a counter top or tabletop where it can be pulled by children or tripped over unintentionally.
- The extension cord must be a grounding-type 3-wire cord.
- Outdoor extension cords must be used with outdoor use products and are marked with suffix "W" and with the statement "Suitable for Use with Outdoor Appliances."
- CAUTION - To reduce the risk of electric shock, keep extension cord connection dry and off the ground.
- Do not let cord hang on or touch hot surfaces.
- Do not place on or near a hot gas or electric burner, or in a heated oven.
- Fuel, such as charcoal briquettes or heat pellets, are not to be used in electric smoker.
- To disconnect, turn control panel OFF then remove plug from outlet.
- Unplug from outlet when not in use and before cleaning. Allow smoker to cool completely before adding/removing racks, drip tray or water bowl.
- Drip pan is only for the bottom of electric smoker. Do not put drip pan on rack. This may damage electric smoker.
- Do not clean this product with a water sprayer or the like.
- Store smoker indoors when not in use, out of reach of children.

SAVE THESE INSTRUCTIONS

Structural Proximity and Safe Usage Recommendations

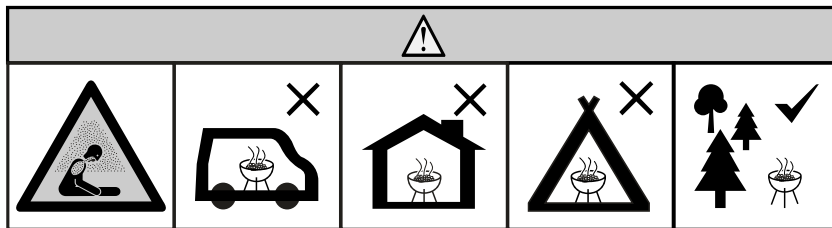
REMINDER: Maintain a minimum distance of 10 feet from rear, sides and top of smoker to overhead construction, walls, rails or other combustible construction. This clearance provides adequate space for proper combustion, air circulation and venting.



WARNING

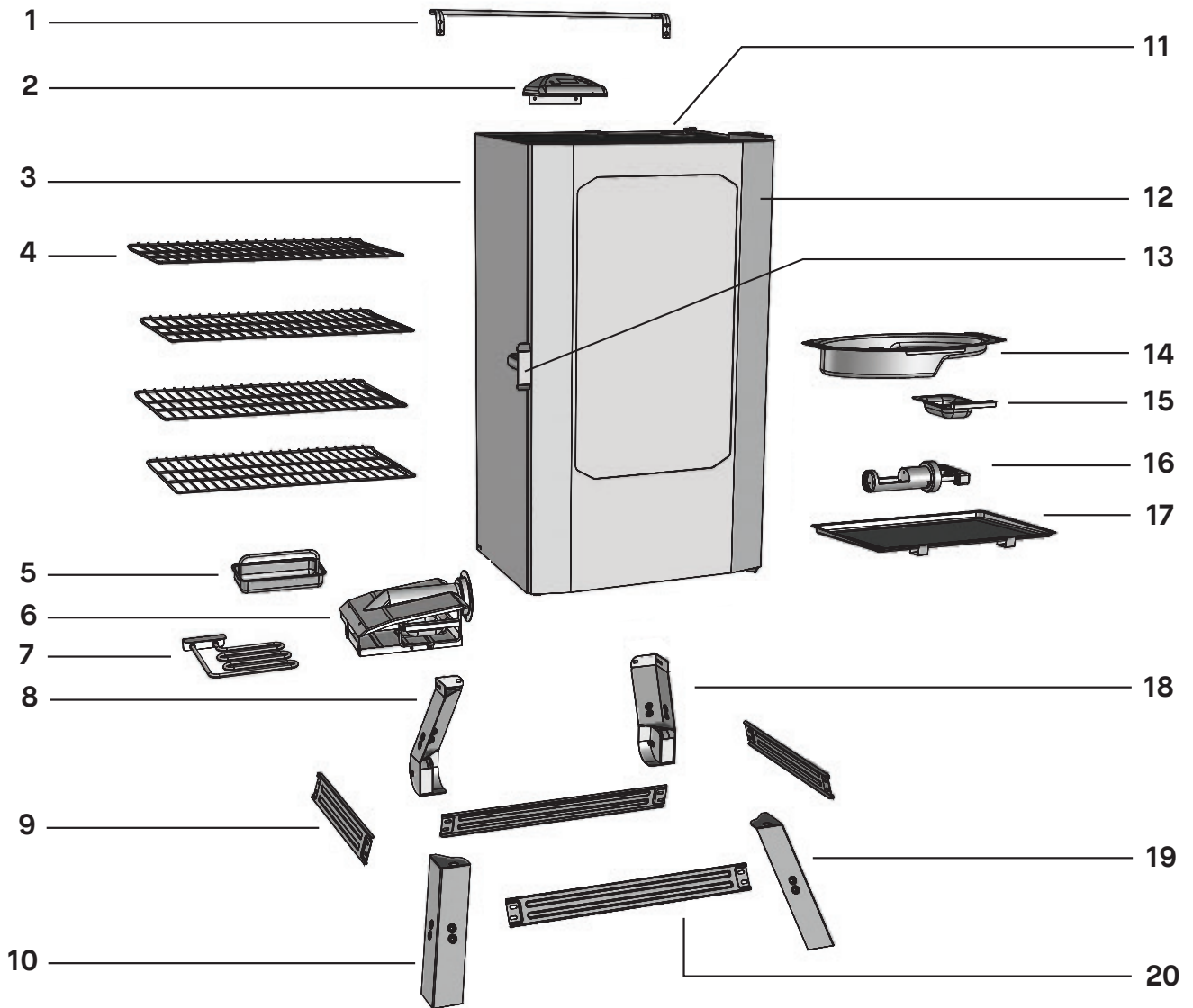


Electric power cord is a trip hazard.



Parts List

Actual product may differ from picture shown



NO	QTY	DESCRIPTION	NO	QTY	DESCRIPTION
1	1	Handle	11	1	Air Damper (pre-assembled)
2	1	Digital Control Panel	12	1	Door (pre-assembled)
3	1	Smoker Body	13	1	Door Handle
4	4	Rack	14	1	Water Bowl
5	1	Drip Pan	15	1	Wood Chip Tray
6	1	Wood Chip Housing	16	1	Wood Chip Loader
7	1	Element	17	1	Drip Pan
8	1	Left Rear Leg	18	1	Right Rear Leg
9	2	Side Brace	19	1	Right Front Leg
10	1	Left Front Leg	20	2	Cross Brace

Hardware List



A

M6x12
Qty.-16



B

M6 Flange Nut
Qty.-16



C

M10 Flat Washer
Qty.-4



D

M10x30 Bolt
Qty.-4



E

M5x14
Qty.- 12



F

M4x8
Qty.- 2

- **BEFORE ASSEMBLY READ ALL INSTRUCTIONS CAREFULLY.**

- Assemble on a clean flat surface.
- Tools needed: Adjustable wrench, Phillips head screwdriver
- Approximate assembly time: 25 minutes
- Actual product may differ from picture shown.
- It is possible that some assembly steps have been completed in the factory.

Assembly

1



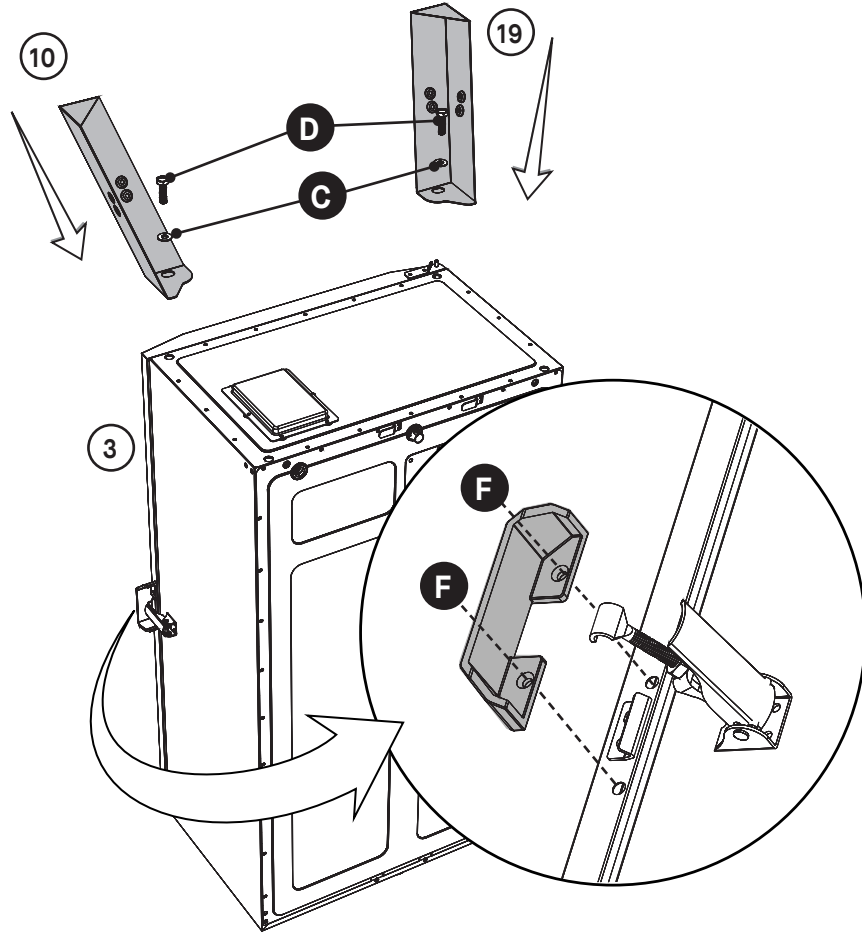
D
X2



C
X2



F
X2



2



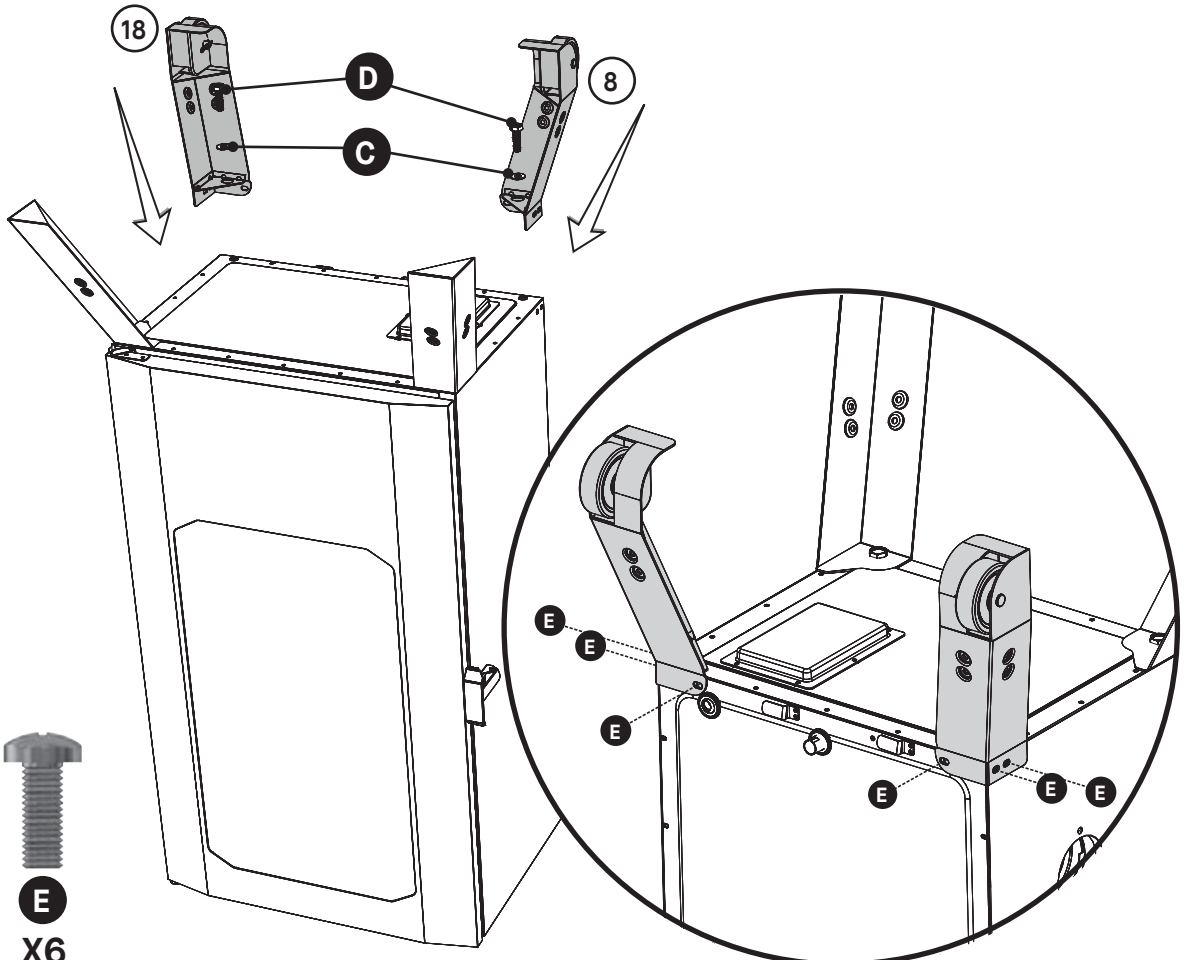
D
X2



C
X2



E
X6



Assembly

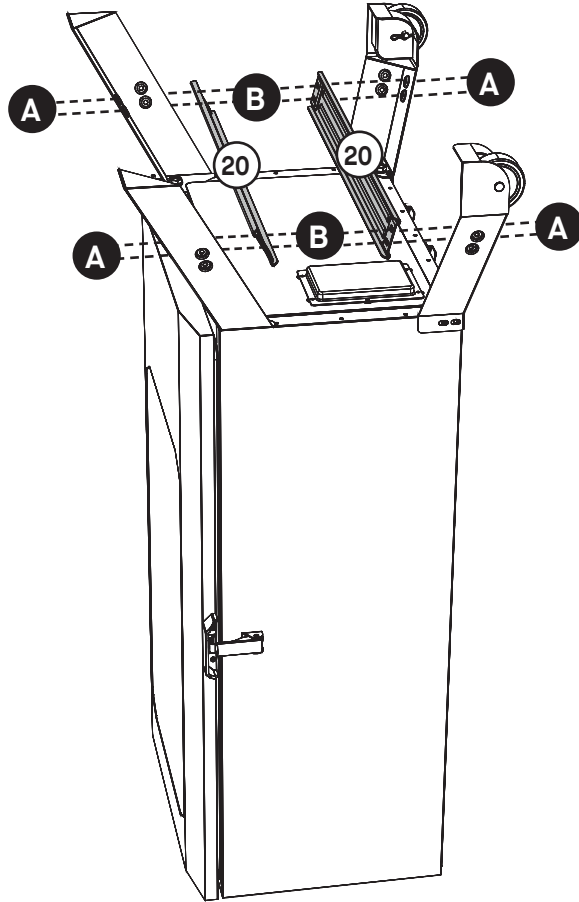
3



A
X8



B
X8



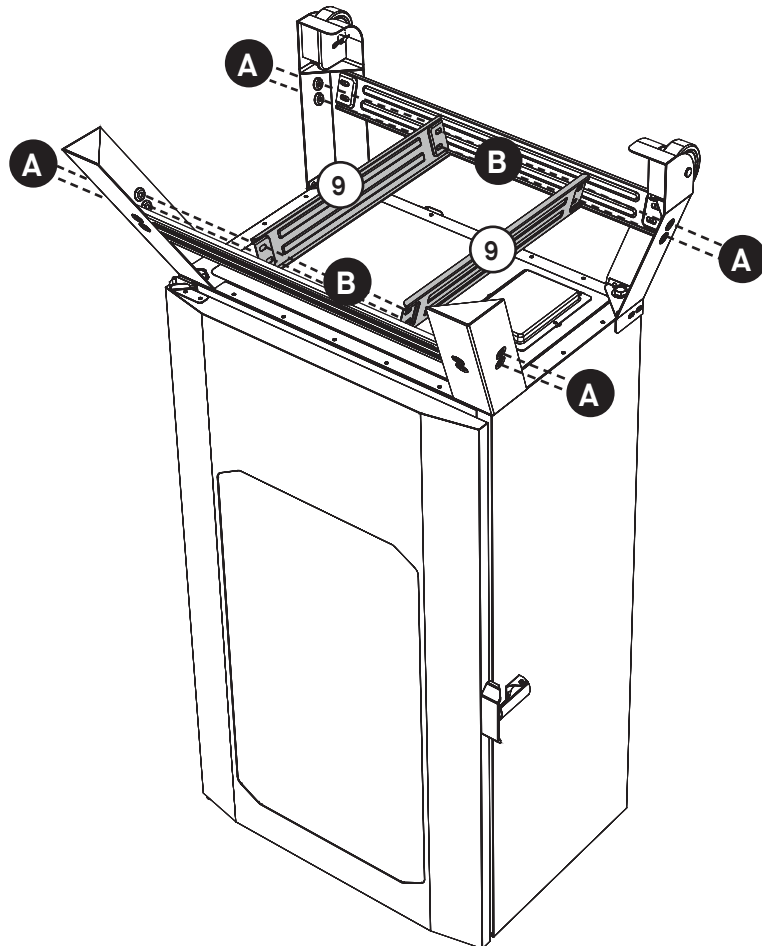
4



A
X8



B
X8



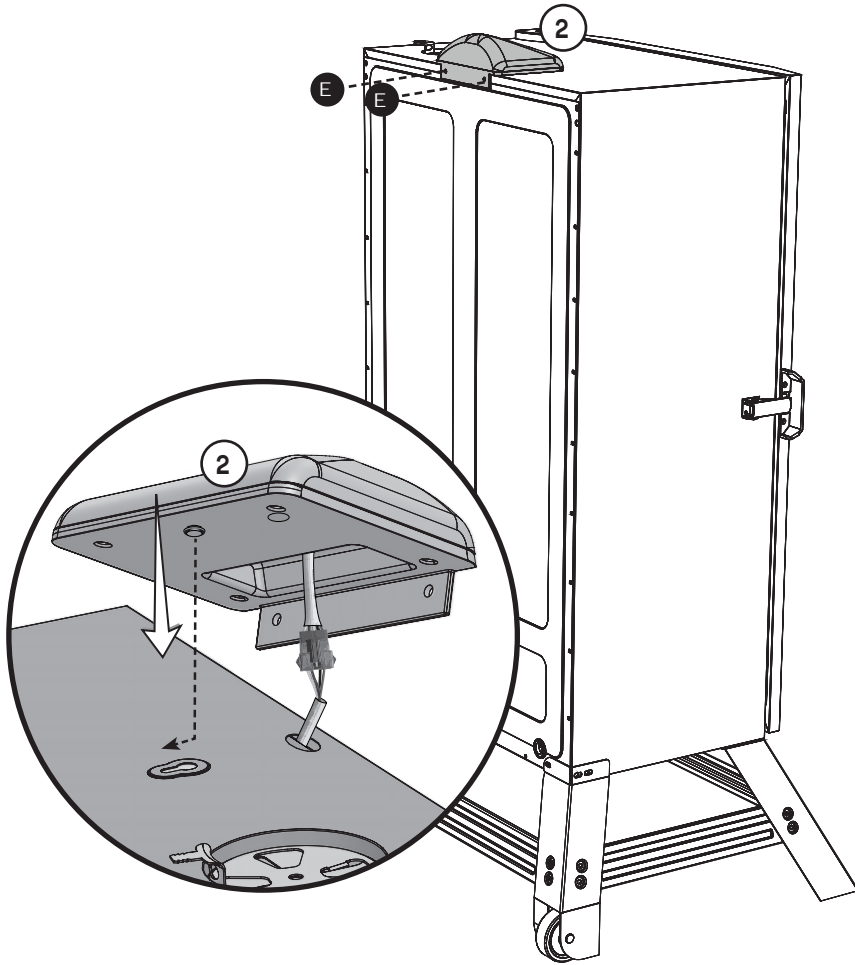
Assembly

5



E

X2

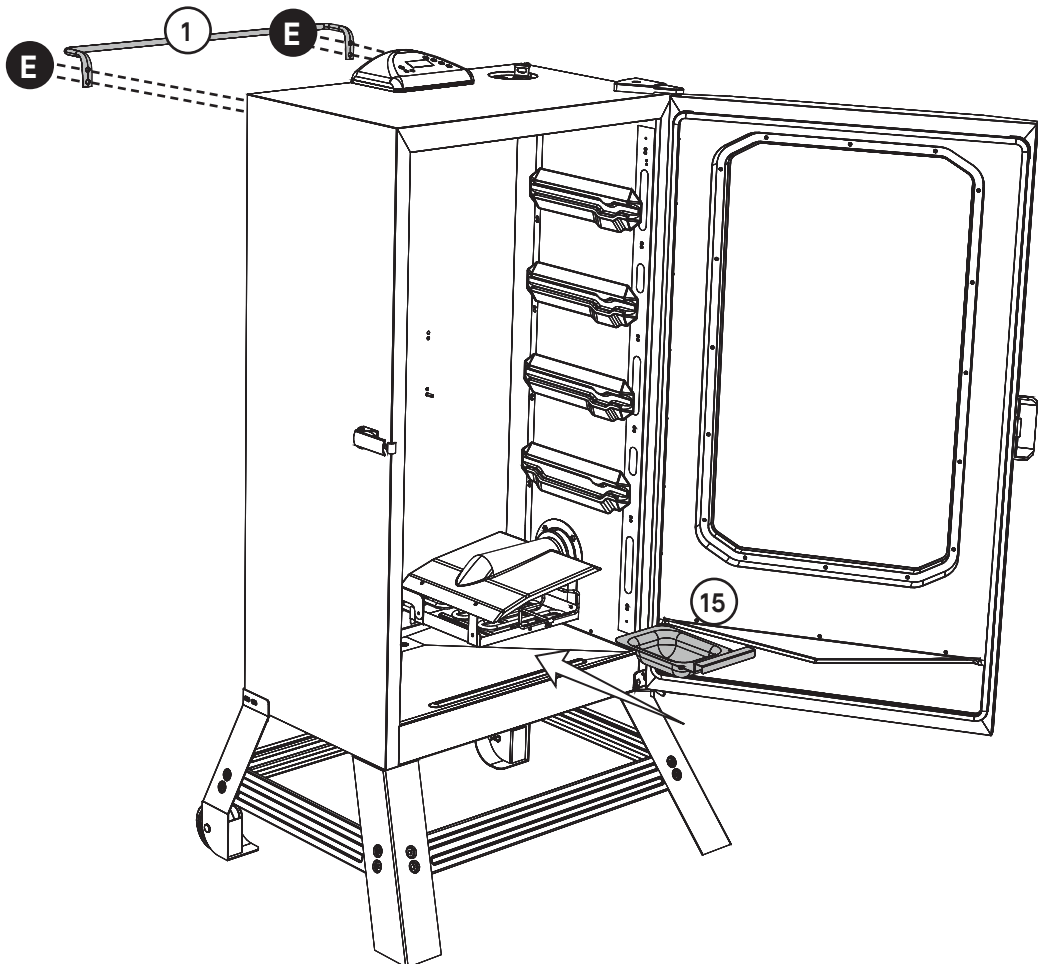


6



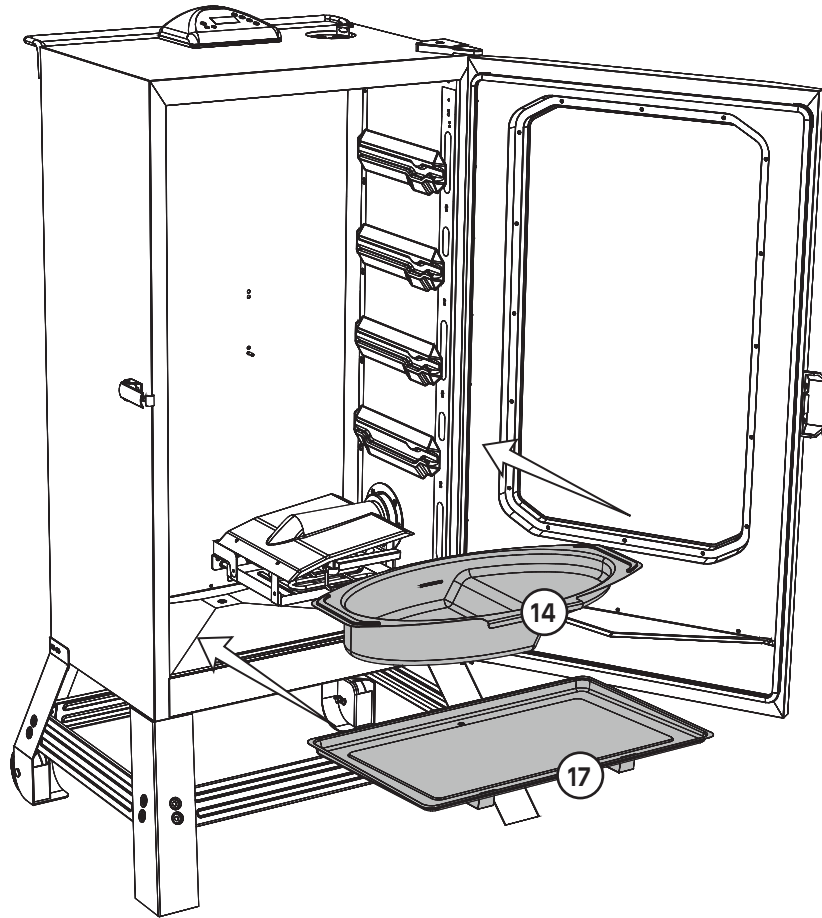
E

X4

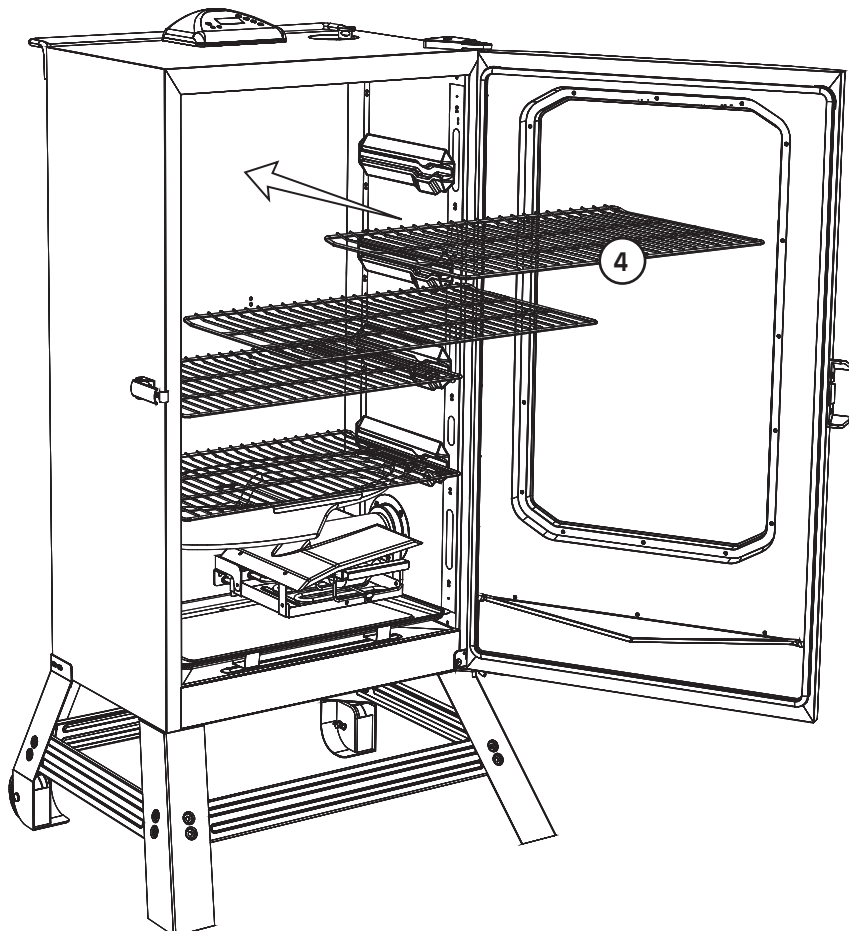


Assembly

7

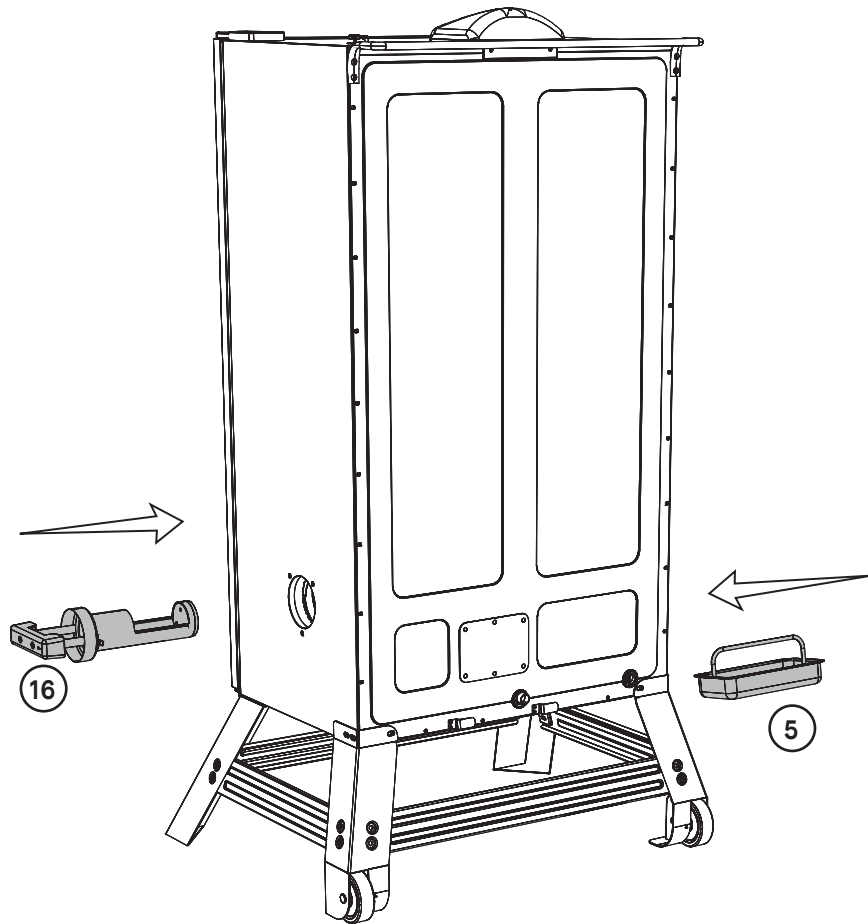


8

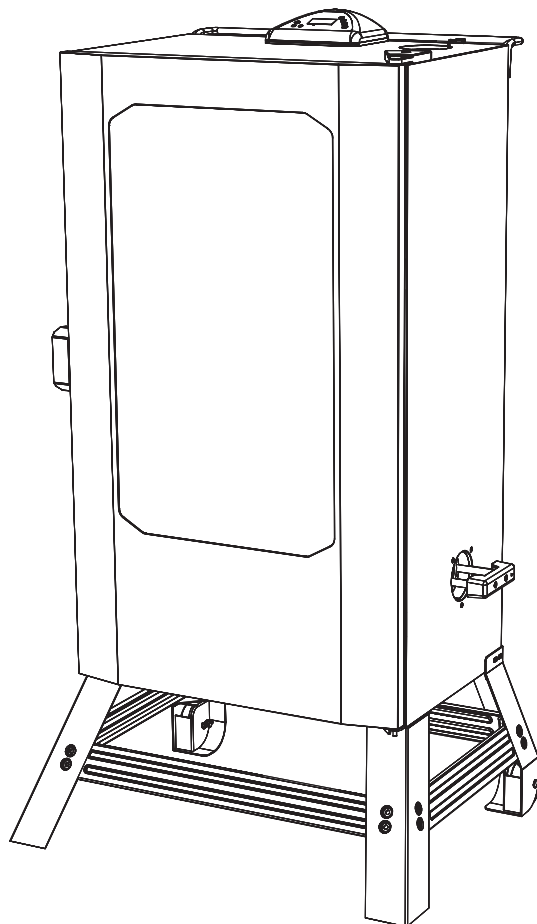


Assembly

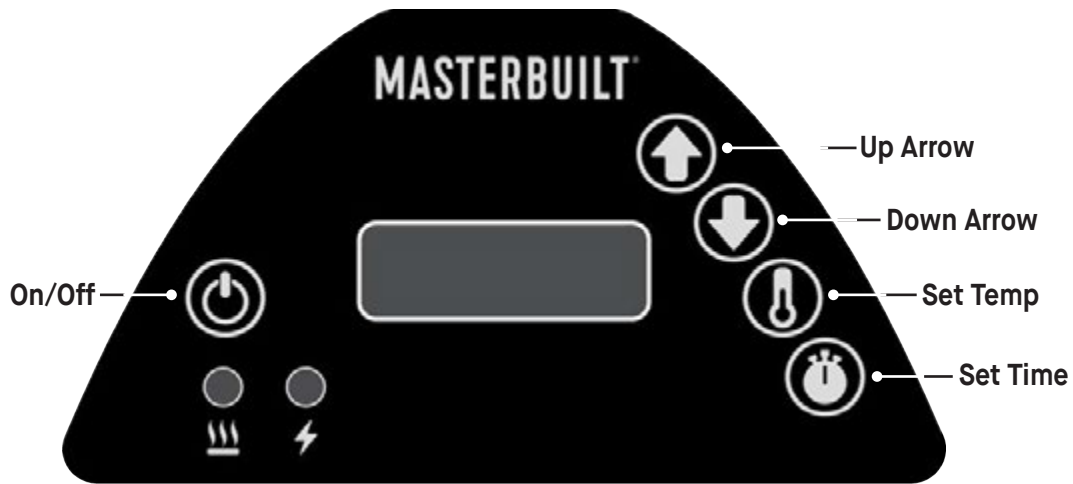
9



10



Operating Instructions



Note: Direct sunlight may interfere with ability to read LED display. Block light if necessary.

CONTROL PANEL

To set temperature:

- Press ON/OFF button.
- Press SET TEMP button once-LED display will blink.
- Use up or down arrows to set temperature. Maximum temperature setting is 275°F (135°C).
- Press SET TEMP button again to lock in temperature.

Note: Heating will not begin until timer is set.

To set timer:

- Press SET TIME button once-LED display for hours will blink.
- Use up or down arrows to set hours.
- Press SET TIME button again to lock in hours. The minutes LED will start blinking.
- Use up or down arrows to set minutes.
- Press SET TIME to lock in minutes and start cook cycle. Heat will turn off when time has expired.

NOTE: When outside temperature is cooler than 65°F (18°C) and/or altitude is above 3,500 feet (1067m), additional cooking time may be required. To ensure that meat is completely cooked use a meat thermometer to test internal temperature or use meat probe, if featured.

To RESET control panel:

If control panel displays an error message, turn smoker off and unplug smoker from outlet. Wait ten seconds, plug smoker back into outlet then turn smoker on.

Operating Instructions

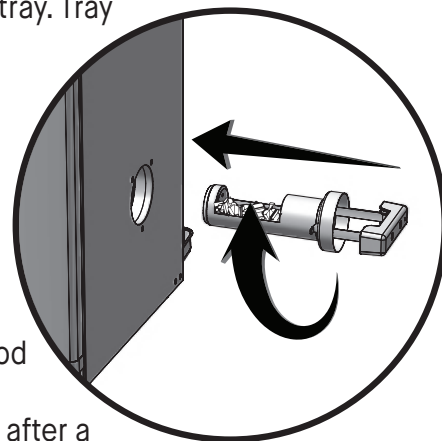
WOOD CHIP LOADER

- Wood chip loader and wood chip tray **MUST** be in place when using smoker. This minimizes the chance of wood flare ups.
- Wood chips must be used in order to produce smoke and create the smoke flavor.
- Before starting smoker, place ½ cup of wood chips in chip loader. Never use more than ½ cup of wood chips at a time. Never use wood chunks or wood pellets.
- Insert wood chip loader into smoker. Wood chips should be level with top rim of wood chip loader.
- Turn handle clockwise in direction of arrow mark on smoker to unload wood chips. Wood chips will drop into wood chip tray. Turn handle counterclockwise to upright position and leave wood chip loader in place.
- If wood chips do not smoke on low setting, increase temperature to 275°. After 8 to 10 minutes, or when wood chips begin to smolder, reduce temperature to desired low setting.
- You may use dry or pre-soaked wood chips in your smoker. Dry chips will burn faster and produce more intense smoke. Chips pre-soaked in water (for approximately 30 minutes) will burn slower and produce a less intense smoke.
- Check wood chip tray periodically to see if wood has burned down. Add more chips as needed.
- Do not leave old ashes in the wood chip tray. Once ashes are cold, empty tray. Tray should be cleaned out prior to, and after each use to prevent ash buildup.

ADDING MORE WOOD DURING SMOKING PROCESS:

NOTE: Never add more than ½ cup (1 filled chip loader) at a time. Additional chips should not be added until any previously added chips have ceased generating smoke.

- Pull wood chip loader from smoker.
- Place wood chips in wood chip loader and insert into smoker.
- Turn handle clockwise in direction of arrow mark on smoker to unload wood chips. Wood chips will drop into wood chip tray.
- Temperature may spike briefly after wood chips are added. It will stabilize after a short time. Do not adjust temperature setting.



⚠ CAUTION ⚠

- Keep smoker door closed when adding wood chips. A flare up may occur when door is opened. If wood chips flare up, immediately close door and vent, wait for wood chips to burn down, then open door again. Do not spray with water.
- Wood chip loader will be **HOT** even if handle is not.
- Never use wood chunks or wood pellets

Operating Instructions

PRE-SEASONING

PRE-SEASON SMOKER PRIOR TO FIRST USE. Some smoke may appear during this time, this is normal.

1. Make sure water bowl is in place **WITHOUT WATER**.
2. Set temperature to 275°F (135°C) and run smoker for 3 hours.
3. Add 1/2 cup of wood chips to the wood chip loader during the last 45 minutes to complete pre-seasoning.
4. Shut down and allow to cool.

LOADING FOOD INTO SMOKER

- Pre-heat smoker for 30 to 45 minutes at desired cooking temperature before loading food.
- **DO NOT** cover racks with aluminum foil as this will not allow heat to circulate properly.
- Do not overload smoker with food. Extra large amounts of food may trap heat, extend cooking time and cause uneven cooking. Leave space between food on racks and smoker sides to ensure proper heat circulation. If utilizing cooking pans, place pans on center of rack to ensure even cooking.
- Do not open smoker door unless necessary. Opening smoker door causes heat to escape, may extend cooking time, and may cause wood chips to flare up. Closing the door will re-stabilize the temperature and stop flare up.
- There will be a lot of smoke produced when using wood chips. Smoke will escape through seams and turn the inside of smoker black. This is normal. To minimize smoke loss around door, the door latch can be adjusted to further tighten the door seal against the body.
- To adjust door latch, loosen hex nut on door latch. Turn hook clockwise to tighten as shown. Secure hex nut firmly against door latch (see diagram).
- Check grease tray often during cooking. Empty grease tray before it gets full. Grease tray may need to be emptied periodically during cooking.

WATER BOWL

- Wait until smoker reaches desired temperature.
- Fill water bowl to fill line with water or liquids like apple or pineapple juice.
- You may also add slices of fruit, onions or fresh dried herbs into the water to blend different subtle flavors into your smoked food.

Tip: For chicken or other foods high in moisture, little or no liquid is needed.

CLEANING AND STORAGE

ALWAYS MAKE SURE SMOKER IS COOL TO THE TOUCH BEFORE CLEANING AND STORING.

- Be sure to clean smoker after each use. This will extend the life of your smoker and prevent mold and mildew.
- For rack supports, racks, water bowl and drip pan use a mild dish detergent. Rinse and dry thoroughly.
- For wood chip tray and wood chip loader, clean frequently to remove ash build up, residue and dust.
- Dispose of cold ashes by placing them in aluminum foil, soaking with water and discarding in a non-combustible container.
- For the interior, glass in door (if featured), and exterior of smoker, simply wipe down with a damp cloth. Do not use a cleaning agent. Make sure to dry thoroughly.
- After cleaning, store smoker in a covered and dry area.
- Check your smoker periodically to avoid possible rust and corrosion due to moisture buildup.
- Watch a video with step by step instructions on how to clean your smoker at [www.youtube.com/Masterbuilt Electric Smokehouse: Cleaning and Storage](http://www.youtube.com/MasterbuiltElectricSmokehouse).

Troubleshooting

SYMPTOM	CAUSE	POSSIBLE SOLUTION
Power light won't come on	Not plugged into wall	Check wall connection
	House breaker tripped	Make sure other appliances are not operating on the same electrical circuit. Check household breakers.
	Wire connector on controller not properly connected to smoker	See step 5
	Controller malfunctioning	Contact Masterbuilt at www.masterbuilt.com/pages/contact-us
Smoker takes excessive amount of time to heat up (longer than 60-70 min)	Smoker plugged into an extension cord	Set smoker so extension cord does not have to be used
	Door not closed properly	Close door and fasten latch securely
	Controller malfunctioning	Contact Masterbuilt at www.masterbuilt.com/pages/contact-us
There is a gap between the door and the smoker when in use and door latch has no more adjustment	Door alignment	Contact Masterbuilt at www.masterbuilt.com/pages/contact-us
	Damaged door seal	
Grease is leaking out of smoker through door and legs	Drip pan not in place	Reposition so hole lines up with drain hole in bottom of smoker
	Excess grease or oil build-up in smoker	Clean smoker
	Drain tube in back of smoker is not draining	Check drain tube positioning at back of smoker
No smoke	No wood chips	Add wood chips
No smoke at low setting	Not enough heat to induce smoking	Increase temp to 275° F for 8 to 10 minutes, or when woodchips begin to smolder then reduce to desired low setting
Temperature rapidly decreased, or shut down after a few hours of use	Internal wiring issue	Contact Masterbuilt at www.masterbuilt.com/pages/contact-us
Controller displaying error message	Temperature sensor malfunctioning	Contact Masterbuilt at www.masterbuilt.com/pages/contact-us
Power light is on but smoker isn't heating	Element failure	Contact Masterbuilt at www.masterbuilt.com/pages/contact-us
Controller does not adjust heat	Controller/smoker malfunctioning	Contact Masterbuilt at www.masterbuilt.com/pages/contact-us
Meat probe temperature does not show on display	Meat probe malfunctioning	Contact Masterbuilt at www.masterbuilt.com/pages/contact-us



MASTERBUILT®

Rest assured, we're here to help.





MASTERBUILT®

Bienvenue à la famille. Commençons.

ES40G1.5DW1

FUMOIR ÉLECTRIQUE NUMÉRIQUE

Le manuel s'applique aux numéros de modèle suivants.

MB20070122



Date de fabrication - Numéro de série

Le numéro de série se trouve sur la plaque signalétique de l'*smokeré*.

Votre numéro de modèle

IMPORTANTE

Veuillez noter cette information immédiatement et la conserver dans un endroit sûr pour une utilisation future.

Manual Code: 9807210012 | 220105-GH

Master it. Masterbuilt.



AVERTISSEMENT



- Ce manuel contient des informations qui sont nécessaires pour une utilisation sûre et appropriée de cet appareil.
- Lisez et suivez la totalité des avertissements et des instructions fournis avant d'assembler et d'utiliser l'appareil.
- Conservez ce manuel pour référence ultérieure.



L'omission de vous conformer à ces instructions pourrait entraîner un incendie, une explosion ou un risque de brûlure, ce qui pourrait causer des dommages matériels, des blessures ou la mort.



RISQUE LIÉ AU MONOXYDE DE CARBONE



- La combustion de copeaux de bois dégage du monoxyde de carbone, qui n'a pas d'odeur et peut causer la mort.
- NE PAS brûler de copeaux de bois à l'intérieur d'habitations, de véhicules, de tentes, de garages ou d'espaces fermés.
- Utilisez uniquement à l'extérieur avec de bonnes conditions de ventilation.



AVERTISSEMENTS ET MISES EN GARDE IMPORTANTES



LISEZ TOUTES LES INSTRUCTIONS

- Le fumoir est destiné exclusivement à une utilisation RÉSIDENIELLE À L'EXTÉRIEUR.
- Ne jamais utiliser l'appareil dans un lieu fermé, tel qu'un patio, un garage, un édifice ou une tente.
- Ne jamais utiliser l'appareil à l'intérieur de véhicules récréatifs ou de bateaux.
- Ne jamais faire fonctionner le fumoir sous une structure surélevée comme une couverture, un abri d'auto, une marquise ou un porte-à-faux.
- Ne jamais utiliser le fumoir comme appareil de chauffage (LISEZ LA RUBRIQUE SUR LE RISQUE LIÉ AU MONOXYDE DE CARBONE).
- Gardez une distance minimale de 3 m (10 pi) entre l'appareil et une structure surélevée, un mur, une rampe ou une autre installation quelconque.
- Gardez une distance minimale de 3 m (10 pi) entre l'appareil et tout matériau combustible comme le bois, les plantes sèches, le gazon, la broussaille, le papier ou la toile.
- Gardez l'appareil à distance et libre de tout matériau combustible comme l'essence ou tout autre liquide ou gaz inflammable.
- Placez le fumoir sur une surface stable, plate et non combustible comme la terre battue, le béton, la brique ou la pierre.
- Le fumoir DOIT être posé sur le sol. Ne pas poser le fumoir sur une table ou un comptoir. Ne PAS déplacer le fumoir sur des surfaces inégales.
- Ne pas utiliser le fumoir sur une surface en bois ou inflammable.
- Ne pas laisser le fumoir sans surveillance.
- Utilisez le fumoir uniquement pour la fonction pour laquelle il a été conçu. NE PAS utiliser ce fumoir à des fins commerciales.
- Gardez un extincteur accessible à tout moment pendant le fonctionnement du fumoir.
- Avant toute utilisation, vérifiez la totalité des écrous, des vis et des boulons afin de vous assurer qu'ils sont bien serrés.
- La consommation d'alcool ou de médicaments, sous ordonnance ou en vente libre, peut affecter la capacité de l'utilisateur à assembler correctement le fumoir ou à le faire fonctionner de manière sûre.
- Il faut faire preuve d'une extrême prudence en déplaçant un appareil contenant de l'huile chaude ou d'autres liquides chauds.
- Branchez toujours la fiche à l'appareil avant de brancher le cordon sur la prise murale. Pour procéder au débranchement, tournez le bouton de réglage sur OFF, puis retirez la fiche de la prise murale.
- Ne pas utiliser l'appareil à des fins autres que celles pour lesquelles il est conçu.
- Aucun combustible, comme des briquettes de charbon, ne doit être utilisé avec l'appareil.
- Utilisez uniquement une prise électrique correctement mise à la terre.
- Un cordon d'alimentation court (ou détachable) doit être utilisé pour réduire le risque de s'emmêler dans un cordon plus long ou de trébucher sur celui-ci.



AVERTISSEMENTS ET MISES EN GARDE IMPORTANTES



- La connexion à une rallonge doit rester sèche et au-dessus du sol.
- **AVERTISSEMENT** : Ne pas utiliser de charbon ou de combustibles semblables avec cet appareil.
- L'appareil doit être alimenté par un dispositif à courant résiduel (DCR) ayant un courant résiduel de fonctionnement nominal ne dépassant pas 30 mA.
- L'appareil doit être raccordé à une prise de courant munie d'un contact de mise à la terre (pour les appareils de classe I).
- Le cordon d'alimentation devrait être examiné régulièrement pour détecter tout signe de dommage et l'appareil ne doit pas être utilisé si le cordon est endommagé.
- Gardez les enfants et les animaux à distance du fumoir en tout temps. NE PAS laisser les enfants utiliser le fumoir. Une surveillance attentive est nécessaire si des enfants ou des animaux sont présents à proximité du fumoir en cours d'utilisation.
- Ne permettre à PERSONNE de mener des activités autour du fumoir pendant ou après son fonctionnement tant qu'il n'a pas refroidi.
- Évitez de heurter ou de percuter le fumoir.
- Ne jamais déplacer le fumoir pendant l'utilisation. Attendez que le fumoir ait refroidi complètement (température inférieure à 45 °C [115 °F]) avant de le déplacer ou de l'entreposer.
- Le fumoir est CHAUD en cours d'utilisation et restera CHAUD pendant un certain temps ensuite et pendant le refroidissement. Faites ATTENTION. Portez des gants de protection.
- Ne pas toucher de surfaces CHAUDES. Utilisez les poignées ou les boutons.
- Ne pas utiliser de granules de bois.
- Ne jamais mettre de verre, de plastique ni de céramique dans le fumoir. Ne pas mettre d'articles de cuisine vides dans le fumoir pendant son utilisation.
- L'utilisation d'accessoires non fournis par Masterbuilt Manufacturing LLC n'est PAS recommandée et peut provoquer des blessures.
- Le bac à copeaux de bois est CHAUD quand le fumoir est en cours d'utilisation. Faites preuve de prudence lors de l'ajout de copeaux de bois.
- Soyez prudent lorsque vous retirez des aliments du fumoir. Toutes les surfaces sont CHAUDES et peuvent provoquer des brûlures. Utilisez des gants de protection ou des ustensiles de cuisine longs et résistants.
- Utilisez toujours le fumoir conformément à tous les codes d'incendie locaux, provinciaux et fédéraux applicables.
- Disposez des cendres froides en les mettant dans une feuille d'aluminium, les mouillant complètement avec de l'eau et les jetant dans un contenant non combustible.
- Ne pas ranger le fumoir avec des cendres CHAUDES présentes à l'intérieur. Procédez au rangement uniquement lorsque toutes les surfaces sont froides.
- Lorsque vous utilisez des appareils électriques, des précautions de sécurité de base doivent toujours être suivies, dont les suivantes : 1) Branchez le fumoir électrique uniquement lorsqu'il est complètement assemblé et prêt à l'emploi. 2) N'utiliser qu'une prise électrique mise à la terre approuvée. 3) Ne pas utiliser l'appareil pendant un orage électrique. 4) N'exposez jamais le fumoir électrique à la pluie ou à l'eau.
- Pour vous protéger contre les chocs électriques, ne pas immerger le cordon, les fiches ou une partie du panneau de commande dans de l'eau ou d'autres liquides.
- Ne pas faire fonctionner d'appareil avec une fiche ou un cordon d'alimentation endommagé, après qu'il ait présenté un dysfonctionnement ou s'il est endommagé d'une quelconque manière.
- Des rallonges ou des cordons d'alimentation plus longs sont disponibles et peuvent être utilisés en faisant preuve de prudence.
- Si une rallonge ou un cordon d'alimentation plus long est utilisé : 1) La capacité nominale du cordon ou de la rallonge doit correspondre au minimum à celle de l'appareil, et 2) Le cordon doit être disposé de telle sorte qu'il ne pendra pas du comptoir ou de la table, ce qui permettrait à des enfants de tirer dessus ou de faire basculer l'appareil intentionnellement.



AVERTISSEMENTS ET MISES EN GARDE IMPORTANTES

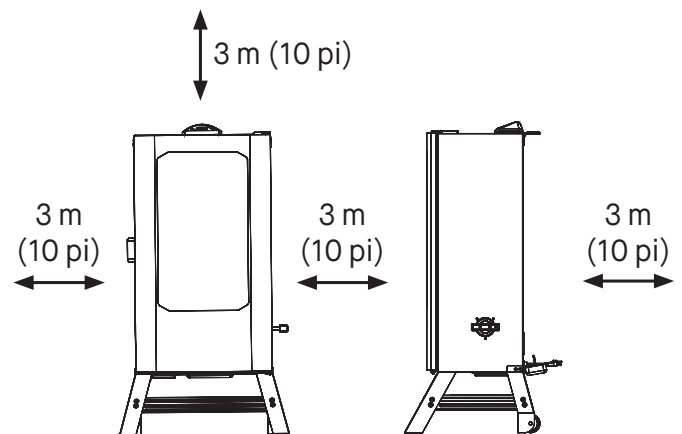


- La rallonge doit consister en un cordon à 3 fils avec mise à la terre.
- Les rallonges extérieures doivent être utilisées avec des appareils destinés à une utilisation en extérieur et doivent être marquées d'un « W » accompagné de la mention « Suitable for Use with Outdoor Appliances » (Approuvée pour usage extérieur).
- ATTENTION – Pour réduire le risque de décharge électrique, maintenez la rallonge sèche et au-dessus du sol.
- Ne pas laisser le cordon pendre sur des surfaces chaudes ou les toucher.
- Ne pas mettre l'appareil sur ou à proximité d'une plaque à gaz ou électrique allumée, ou bien dans un four chaud.
- Il ne faut pas utiliser de combustible, comme des briquettes de charbon ou des granulés de chauffage, dans un fumoir électrique.
- Pour procéder au débranchement, tournez le panneau de commande sur « OFF/ARRÊT », puis retirez la fiche de la prise.
- Débranchez l'appareil lorsqu'il ne sert pas et avant le nettoyage. Laissez le fumoir refroidir complètement avant d'ajouter ou d'enlever des grilles, le plateau ramasse-gouttes ou la cuvette d'eau.
- Le plateau ramasse-gouttes n'est destiné qu'au fond du fumoir électrique. Ne pas mettre le plateau ramasse-gouttes sur une grille. Cela pourrait causer des dommages au fumoir électrique.
- Ne pas nettoyer ce produit avec un système de pulvérisation d'eau ou similaire.
- Rangez le fumoir à l'intérieur lorsqu'il n'est pas utilisé, hors de la portée des enfants.

CONSERVEZ CES INSTRUCTIONS.

Proximité avec les structures et recommandations de sécurité lors de l'utilisation

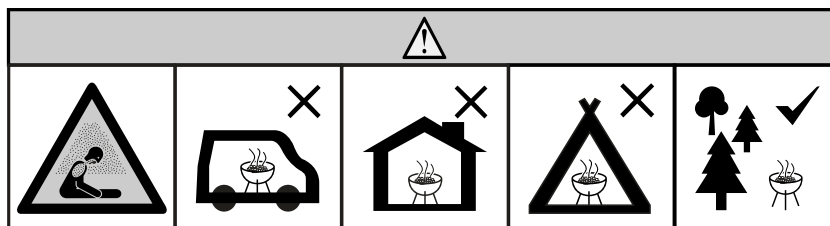
RAPPEL : Gardez une distance minimale de 3 m (10 pi) entre l'arrière, les côtés et le dessus du fumoir et une structure surélevée, un mur, une rampe ou une autre installation quelconque. Ce dégagement fournit un espace suffisant pour assurer une combustion, une circulation de l'air et une ventilation appropriées.



AVERTISSEMENT

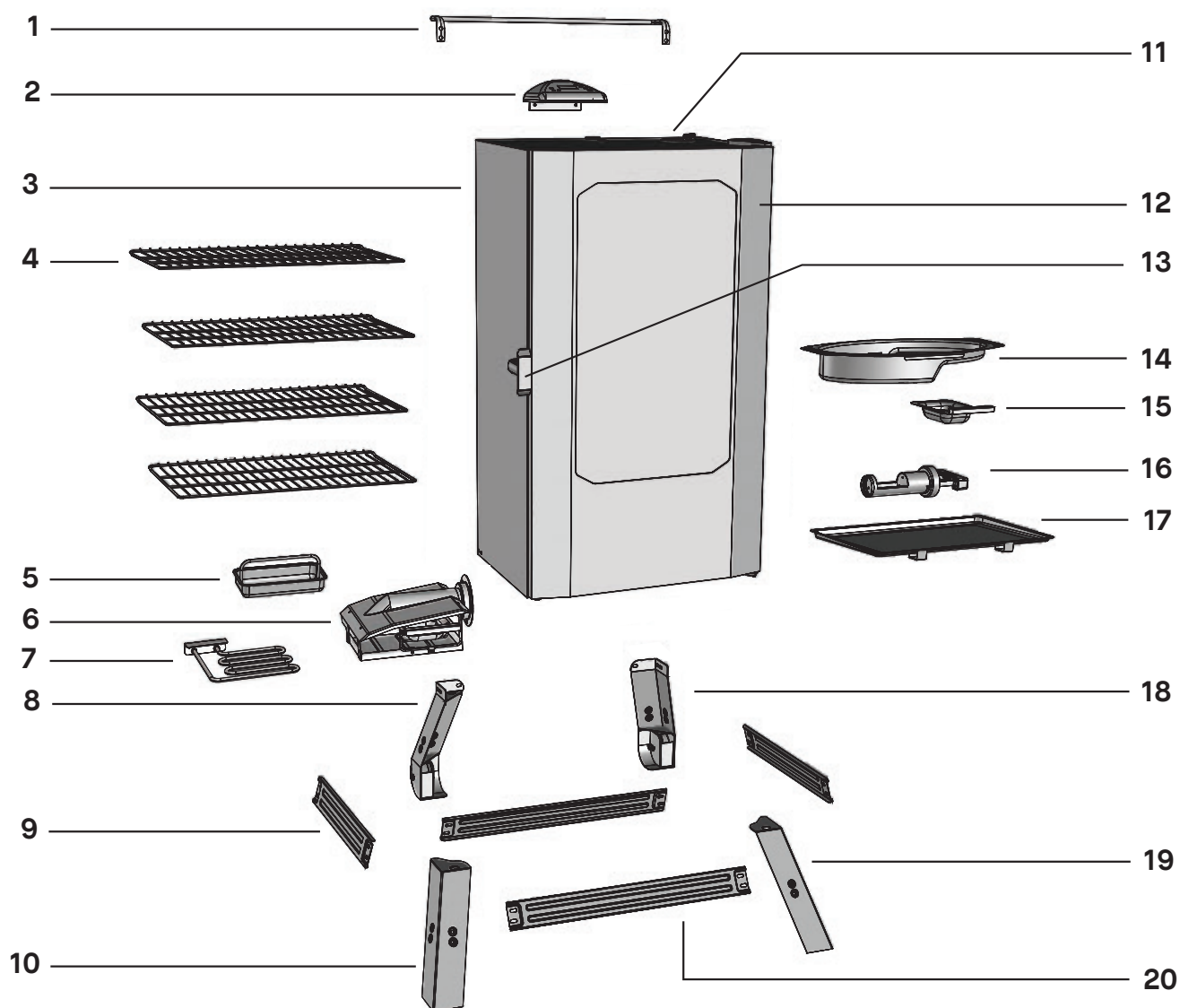


Le cordon électrique présente un risque de chute.



Liste des pieces

Le produit réel peut différer de l'illustration.



N°	QTÉ.	DESCRIPTION	N°	QTÉ.	DESCRIPTION
1	1	La poignée	11	1	Volet d'admission d'air (préassemblé)
2	1	Panneau de commande numérique	12	1	Porte (préassemblée)
3	1	Bâti du fumoir	13	1	Poignée de porte
4	4	Grille	14	1	Cuvette d'eau
5	1	Bac à graisse	15	1	Bac à copeaux de bois
6	1	Boîtier pour copeaux de bois	16	1	Chargeur à copeaux de bois
7	1	Élément	17	1	Plateau ramasse-gouttes
8	1	Jambe arrière gauche	18	1	Jambe arrière droite
9	2	Barre de soutien latérale	19	1	Jambe avant droite
10	1	Jambe avant gauche	20	2	Barre de support croisée

Liste de quincaillerie



A

M6x12
Quantité-16



B

Écrou à embase M6
Quantité-16



C

Rondelle plate M10
Quantité-4



D

Boulon M10x30
Quantité-4



E

M5x14
Quantité- 12



F

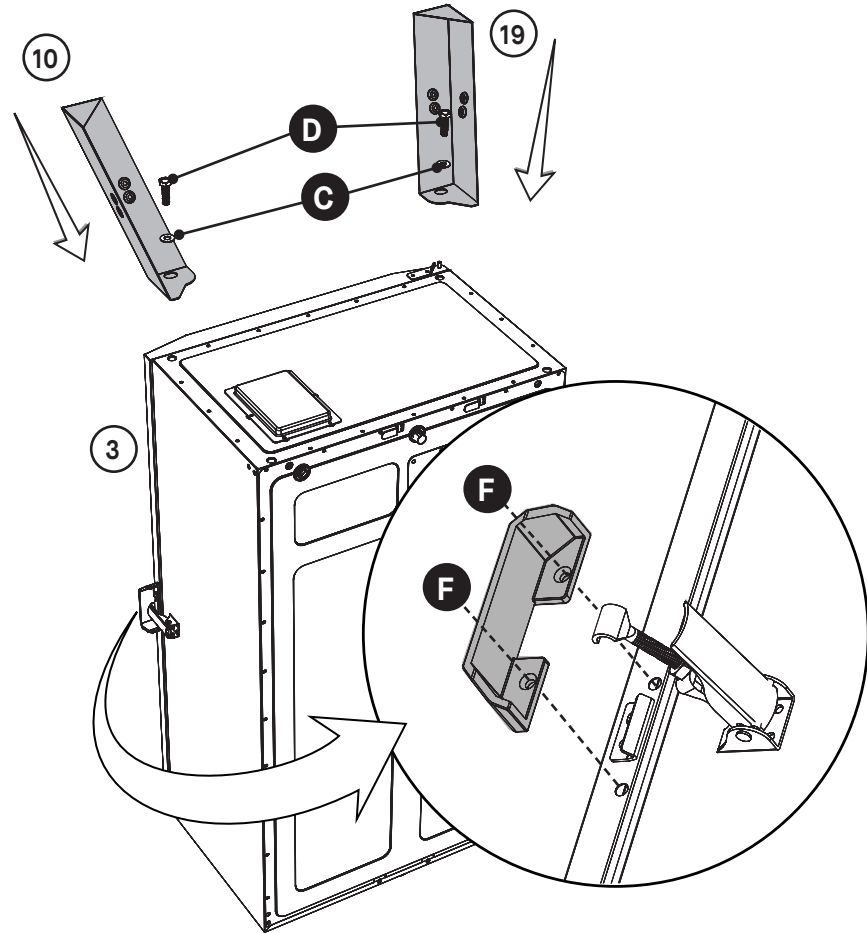
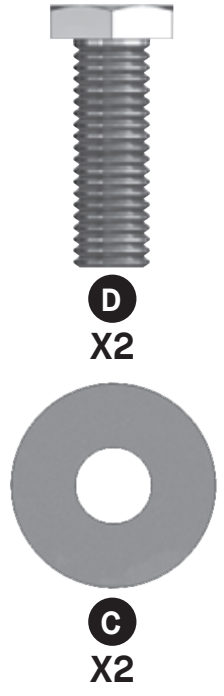
M4x8
Quantité- 2

• AVANT L'ASSEMBLAGE, LIRE ATTENTIVEMENT TOUTES LES INSTRUCTIONS.

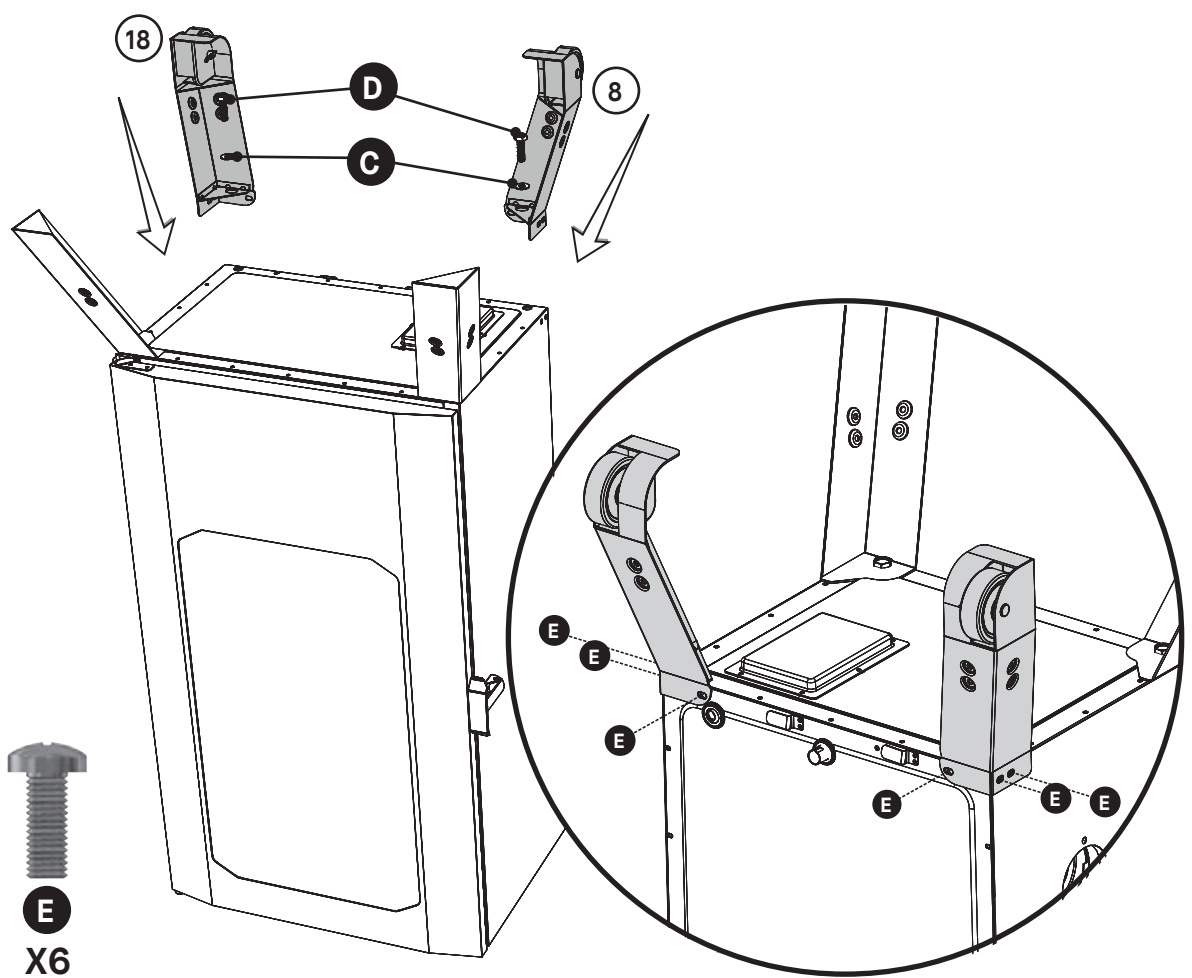
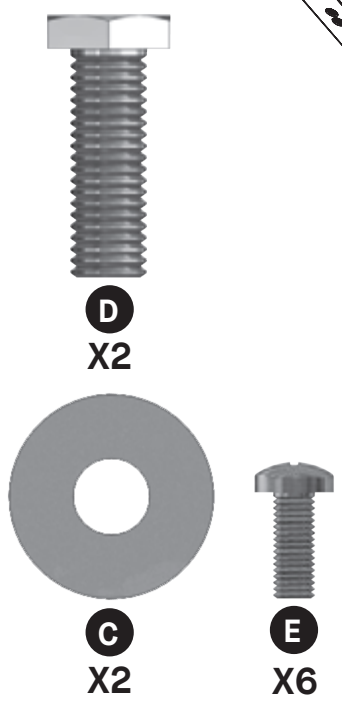
- Assembler l'appareil sur une surface plane et propre.
- Outils nécessaires : clé ajustable, tournevis cruciforme
- Temps nécessaire pour l'assemblage : environ 25 minutes
- Le produit réel peut différer de l'illustration.
- Il est possible que certaines étapes d'assemblage aient été effectuées en usine.

Assemblage

1



2



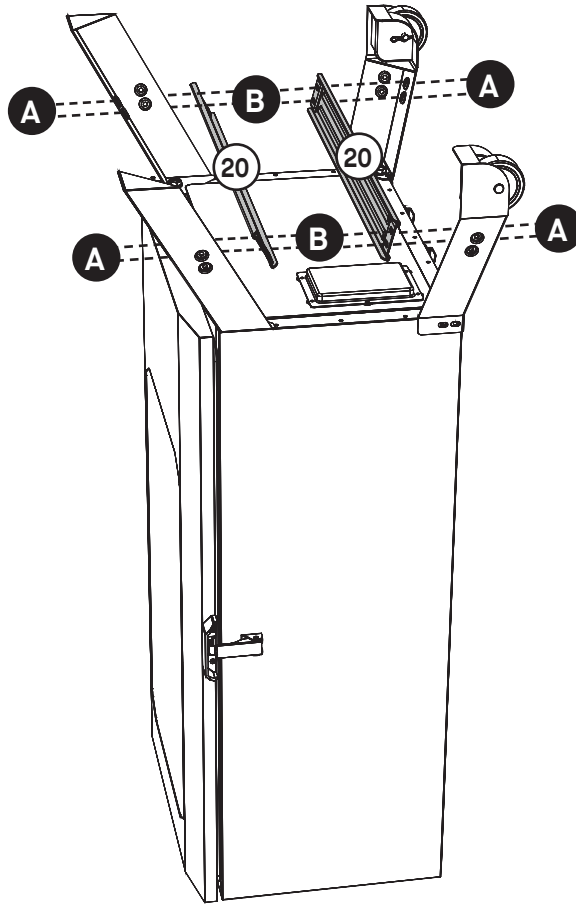
3



A
X8



B
X8



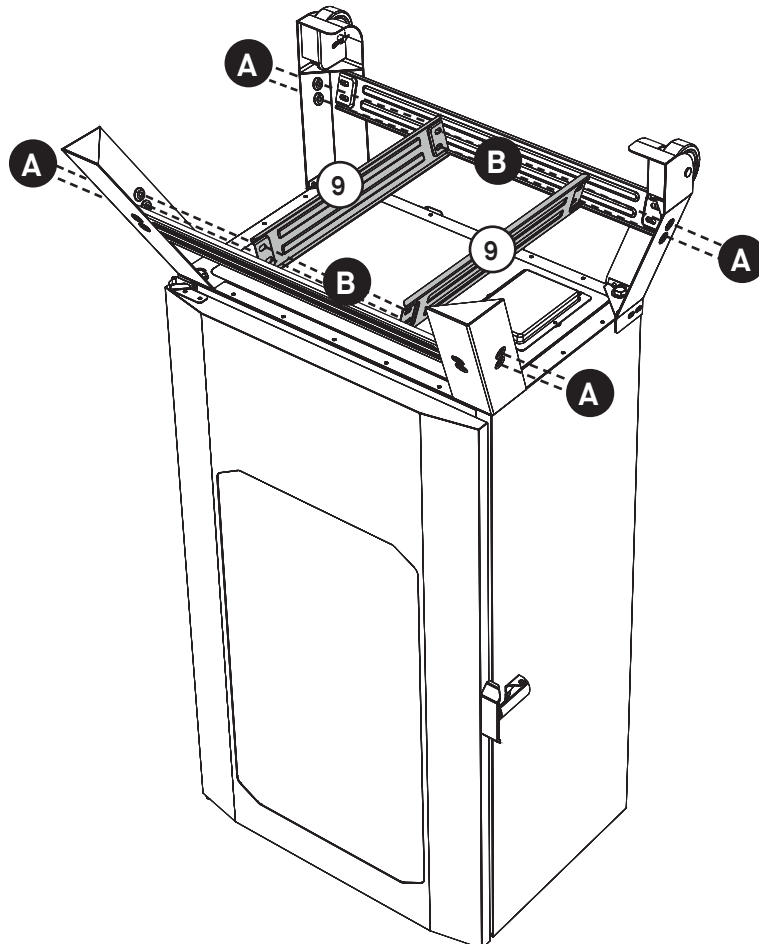
4



A
X8



B
X8



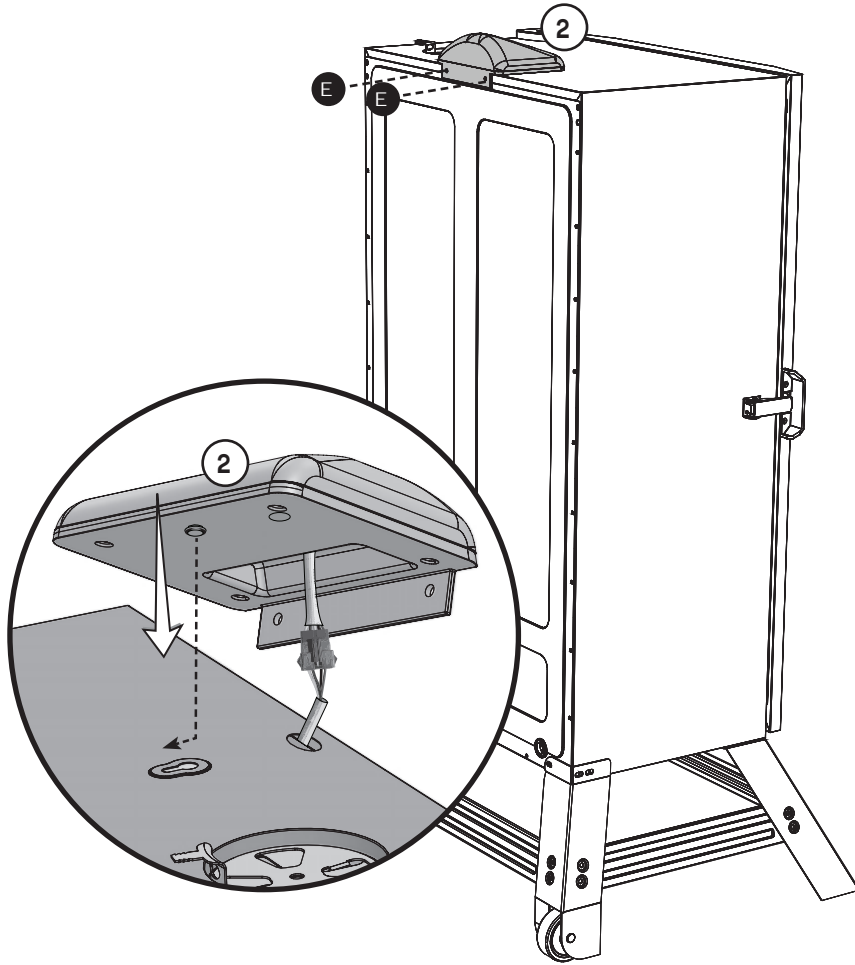
Assemblage

5



E

X2

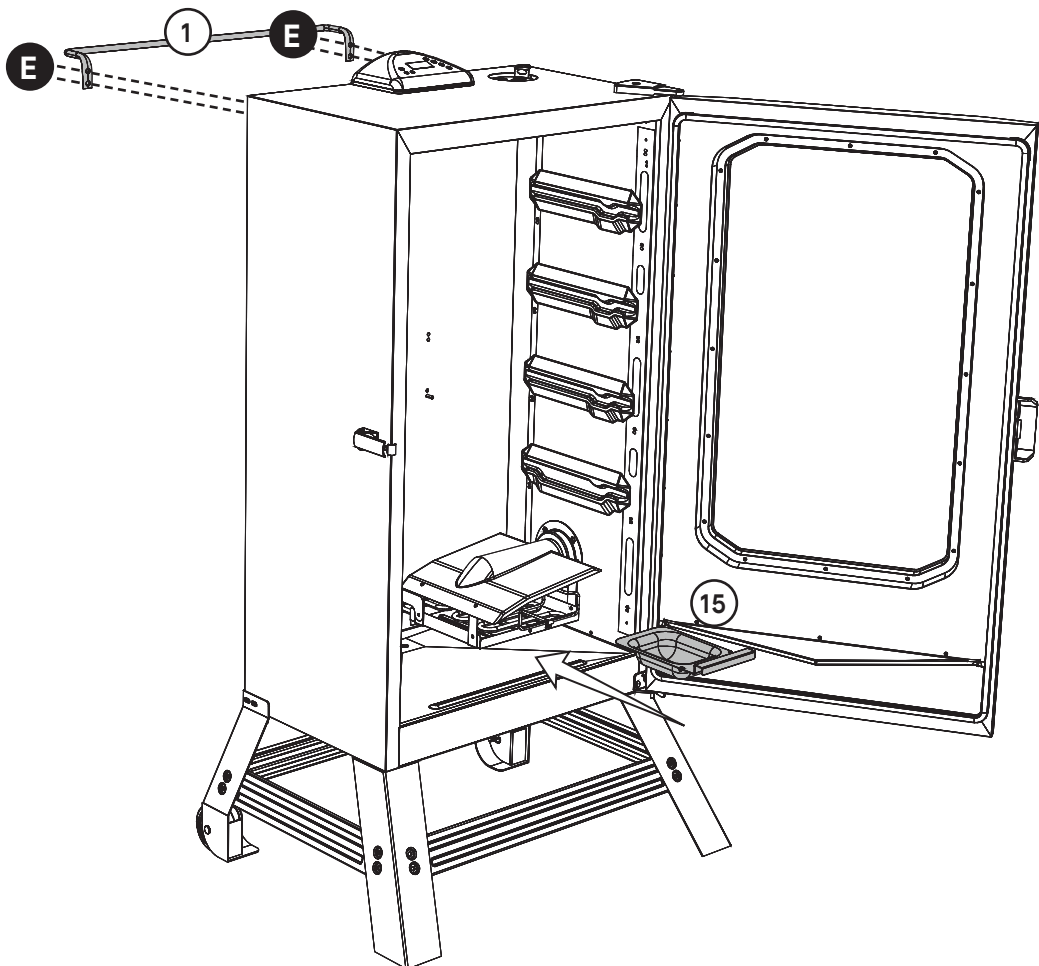


6

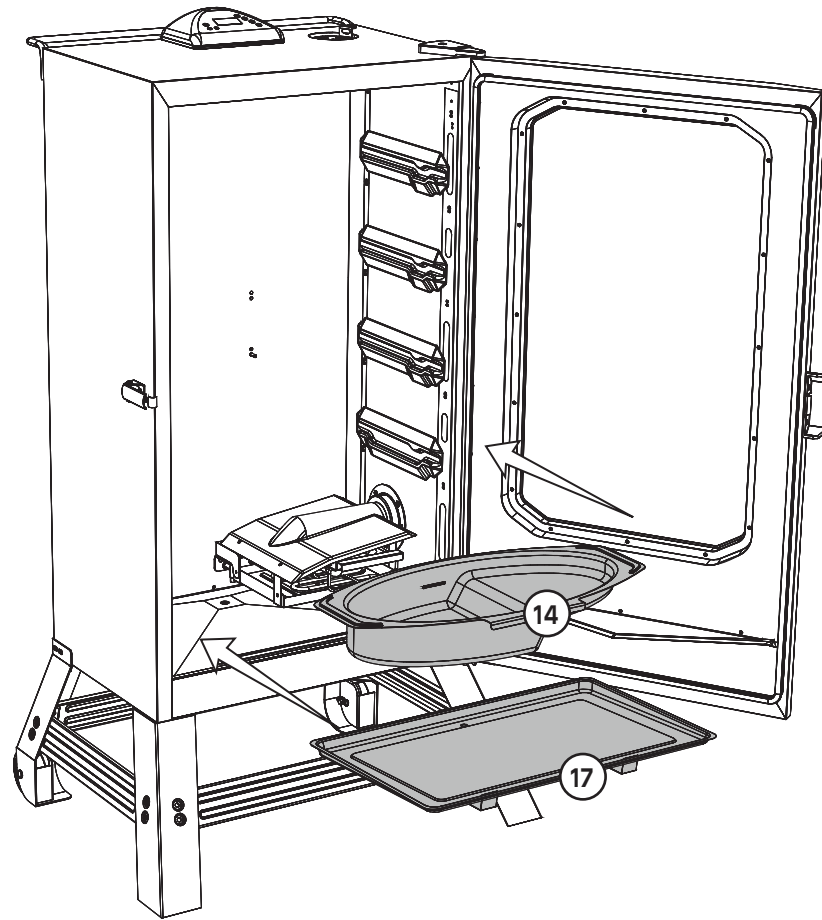


E

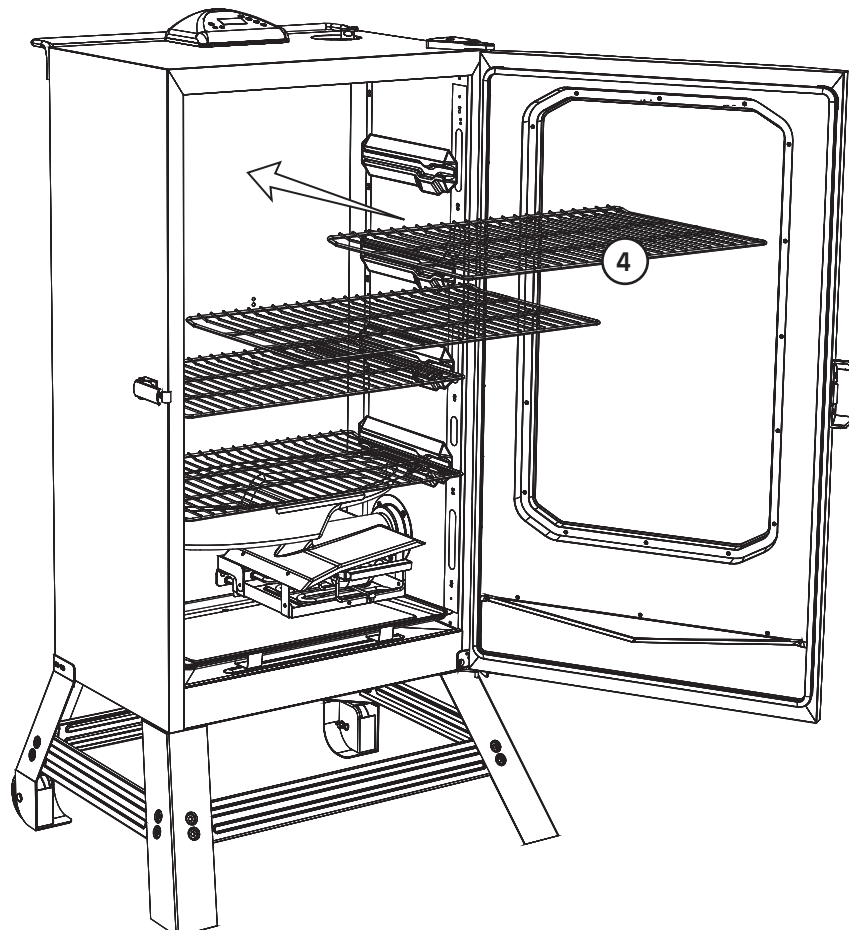
X4



7

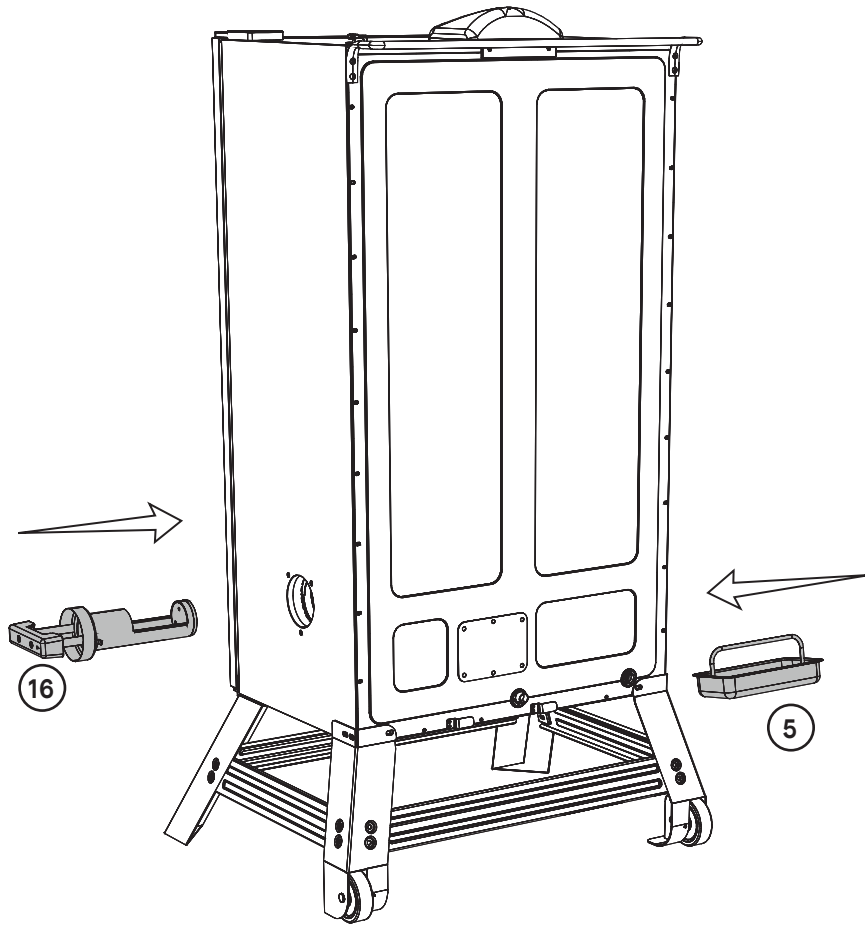


8

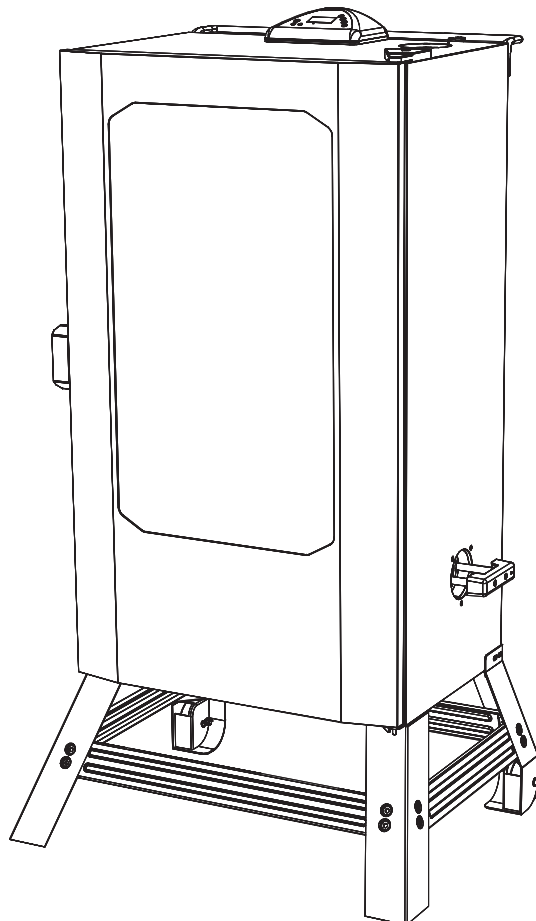


Assemblage

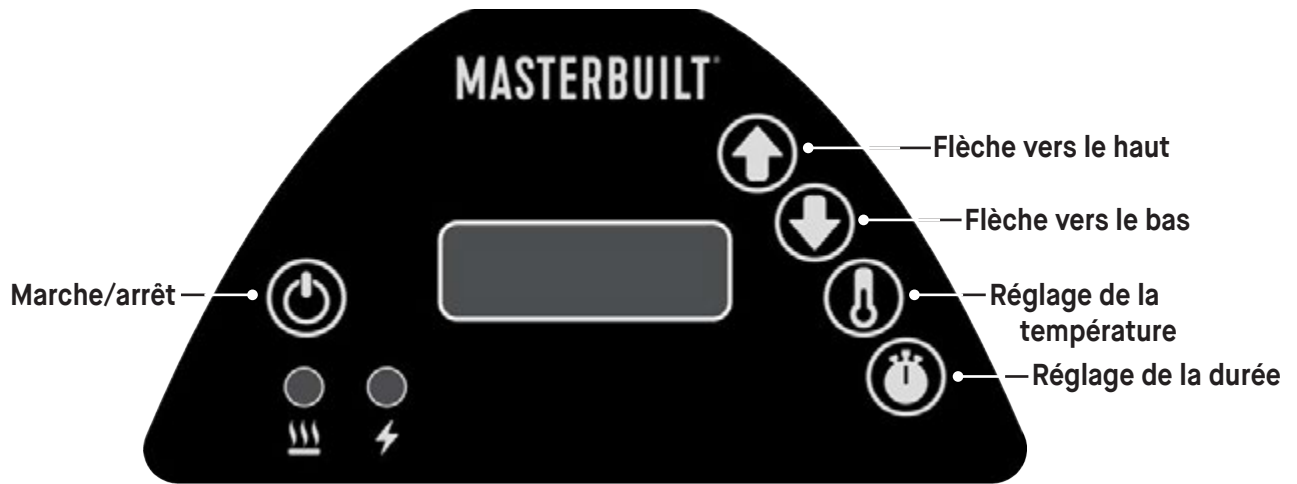
9



10



Instructions d'utilisation



Remarque : La lumière directe du soleil peut empêcher de lire correctement l'afficheur à DEL. Au besoin, bloquez la lumière.

PANNEAU DE COMMANDE

Pour régler la température :

- Appuyez sur le bouton MARCHE/ARRÊT.
- Appuyez une fois sur le bouton SET TEMP; l'afficheur à DEL se mettra à clignoter.
- Utilisez les flèches vers le haut et vers le bas pour régler la température. Le réglage de température maximal est de 275 °F (135 °C).
- Appuyez de nouveau sur le bouton SET TEMP pour fixer la température.

Remarque : L'appareil ne commence pas à chauffer tant que la minuterie n'est pas réglée.

Pour régler la minuterie :

- Appuyez une fois sur le bouton SET TIME; l'afficheur à DEL des heures se mettra à clignoter.
- Utilisez les flèches vers le haut et vers le bas pour régler les heures.
- Appuyez de nouveau sur le bouton SET TIME pour fixer les heures. La DEL des minutes commencera à clignoter.
- Utilisez les flèches vers le haut et vers le bas pour régler les minutes.
- Appuyez sur SET TIME pour fixer les minutes et lancer le cycle de cuisson. La chaleur s'éteindra lorsque la durée est écoulée.

REMARQUE : Lorsque la température extérieure est inférieure à 18 °C (65 °F) ou que l'altitude est supérieure à 1 067 mètres (3 500 pi), un temps de cuisson supplémentaire peut être requis. Afin de s'assurer que la viande est complètement cuite, utilisez un thermomètre à viande pour mesurer la température interne ou la sonde thermique, si elle est fournie.

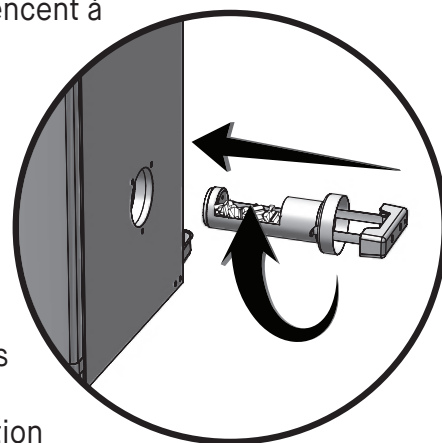
Pour RÉINITIALISER le panneau de commande :

Si le panneau de commande affiche un message d'erreur, éteignez le fumeur et débranchez le fumeur de la prise. Attendez dix secondes, rebranchez le fumeur et rallumez le fumeur.

Instructions d'utilisation

CHARGEUR À COPEAUX DE BOIS

- Le chargeur à copeaux de bois et le bac à copeaux de bois DOIVENT être en place lors de l'utilisation du fumoir. Cela minimise les risques d'une poussée de flamme.
- Des copeaux de bois doivent être utilisés afin de produire de la fumée et d'imprégner les aliments d'un arôme fumé.
- Avant d'allumer le fumoir, mettez ½ tasse de copeaux de bois dans le chargeur à copeaux de bois. N'utilisez jamais plus de ½ tasse de copeaux de bois à la fois. N'utilisez jamais de morceaux de bois ou de granules de bois.
- Insérez le chargeur à copeaux de bois dans le fumoir. Les copeaux de bois doivent être à niveau avec le bord supérieur du chargeur à copeaux de bois.
- Pour vider les copeaux de bois, tournez la poignée dans le sens des aiguilles d'une montre, dans la direction de la flèche qui se trouve sur le fumoir. Les copeaux de bois tomberont dans le bac à copeaux de bois. Tournez la poignée dans le sens contraire des aiguilles d'une montre, jusqu'à ce qu'elle soit en position verticale, et laissez le chargeur en place.
- Si les copeaux de bois n'émettent pas de fumée au réglage bas, augmentez la température à 275 °F. Au bout de 8 à 10 minutes, ou lorsque les copeaux de bois commencent à fumer, réduisez la température au réglage bas voulu.
- Vous pouvez utiliser des copeaux de bois secs ou prétrempés dans votre fumoir. Les copeaux secs brûlent plus rapidement et produisent une fumée plus intense. Les copeaux trempés dans de l'eau (pendant approximativement 30 minutes) brûlent plus lentement et produisent une fumée moins intense.
- Vérifiez périodiquement le bac à copeaux de bois pour voir si le bois a brûlé. Ajoutez davantage de copeaux si nécessaire.
- Ne laissez pas de cendres dans le bac à copeaux de bois. Une fois que les cendres sont froides, videz le bac. Le bac doit être nettoyé avant et après chaque utilisation pour éviter l'accumulation de cendres.



PROCESSUS D'AJOUT DE BOIS PENDANT LE FUMAGE :

REMARQUE : N'ajoutez jamais plus d'une demi-tasse (chargeur à copeaux de bois plein) à la fois. N'ajoutez pas de copeaux supplémentaires tant que les copeaux déjà ajoutés génèrent encore de la fumée.

- Sortez le chargeur à copeaux de bois du fumoir.
- Mettez les copeaux de bois dans le chargeur à copeaux de bois et insérez celui-ci dans le fumoir.
- Pour vider le bois, tournez la poignée dans le sens des aiguilles d'une montre, dans la direction de la flèche qui se trouve sur le fumoir. Les copeaux de bois tomberont dans le bac à copeaux de bois. Il est possible que la température augmente brièvement après l'ajout de copeaux de bois. Elle se stabilisera en peu de temps. N'ajustez pas le réglage de la température.



ATTENTION



- Gardez fermée la porte du fumoir pendant que vous ajoutez des copeaux de bois. Une poussée de flamme peut se produire lorsque la porte est ouverte. Si les copeaux de bois provoquent une poussée de flamme, fermez immédiatement la porte et l'évent, attendez que les copeaux de bois se consomment, puis ouvrez à nouveau la porte. Ne pulvérisez pas d'eau.
- Le chargeur à copeaux de bois sera CHAUD, même si la poignée ne l'est pas.
- N'utilisez jamais de morceaux de bois ou de granules de bois.

Instructions d'utilisation

APPRÊTAGE

APPRÊTEZ LE FUMOIR AVANT LA PREMIÈRE UTILISATION. De la fumée peut apparaître pendant cette période, c'est normal.

1. Assurez-vous que le bol d'eau est en place **SANS EAU**.
2. Réglez la température à 275 °F (135 °C) et faites fonctionner le fumoir pendant 3 heures.
3. Ajouter 1/2 tasse de copeaux de bois à la chargeuse de copeaux de bois au cours des 45 dernières minutes pour terminer le pré-assaisonnement.
4. Éteignez le fumoir et laissez-le refroidir.

POUR METTRE LES ALIMENTS DANS LE FUMOIR

- Faites préchauffer le fumoir pendant 30 à 45 minutes à la température de cuisson souhaitée avant d'ajouter les aliments.
- **NE PAS** couvrir les grilles de papier d'aluminium, car cela empêchera la bonne circulation de la chaleur.
- Ne pas mettre trop de nourriture dans le fumoir. De trop grandes quantités de nourriture pourraient emprisonner la chaleur, prolonger le temps de cuisson et produire une cuisson inégale. Laissez de l'espace entre les aliments disposés sur les grilles et les côtés du fumoir afin de permettre à la chaleur de bien circuler. Si vous utilisez des plats de cuisson, mettez-les au centre de la grille pour assurer une cuisson uniforme.
- N'ouvrez pas la porte du fumoir, sauf si cela est nécessaire. L'ouverture de la porte du fumoir permet à la chaleur de s'échapper, pourrait prolonger le temps de cuisson, et peut faire en sorte que les copeaux de bois s'embrasent. Fermez la porte pour restabiliser la température et arrêter la poussée de flamme.
- Une grande quantité de fumée sera produite lors de l'utilisation des copeaux de bois. De la fumée s'échappera par les joints et noircira l'intérieur du fumoir. C'est normal. Pour minimiser la perte de fumée autour de la porte, le loquet de porte peut être ajusté afin de serrer davantage la porte contre le bâti du fumoir.
- Pour ajuster le loquet de porte, desserrez l'écrou hexagonal sur le loquet. Pour serrer, tourner le crochet dans le sens des aiguilles d'une montre, de la façon illustrée. Fixez solidement l'écrou hexagonal sur le loquet de la porte (voir schéma).
- Vérifiez souvent le bac à graisse pendant la cuisson. Videz-le avant qu'il devienne plein. Le bac à graisse peut devoir être vidé périodiquement durant la cuisson.

CUVETTE D'EAU

- Attendez que le fumoir atteigne la température souhaitée.
 - Remplissez la cuvette d'eau jusqu'à la ligne de remplissage avec de l'eau ou des liquides comme du jus de pomme ou d'ananas.
 - Vous pouvez également mettre des tranches d'oignon ou de fruit ou des fines herbes séchées dans l'eau pour ajouter différentes saveurs subtiles à vos aliments fumés.
- Conseil :** Pour le poulet et les autres aliments à forte teneur en humidité, utilisez peu de liquide, voire pas du tout.

NETTOYAGE ET ENTREPOSAGE

VEUILLEZ TOUJOURS VOUS ASSURER QUE LE FUMOIR EST FRAIS AU TOUCHER AVANT DE LE NETTOYER ET DE LE RANGER.

- Assurez-vous de nettoyer le fumoir après chaque utilisation. Cela en prolongera la durée de vie et évitera la formation de moisissures et de champignons.
- Utilisez un détergent à vaisselle doux pour les supports des grilles, les grilles, la cuvette d'eau et le plateau ramasse-gouttes. Rincez et séchez avec soin.
- Nettoyez fréquemment le bac à copeaux de bois et le chargeur à copeaux de bois afin d'enlever toute accumulation de cendres, de résidus et de poussière.
- Mettez au rebut les cendres froides en les enveloppant dans une feuille d'aluminium, puis en trempant le tout dans de l'eau avant de le jeter dans un récipient non combustible.
- Nettoyez l'intérieur, le verre de la porte (si fourni) et l'extérieur du fumoir en essuyant simplement les surfaces avec un chiffon humide. Ne pas utiliser de produit de nettoyage. Assurez-vous de bien sécher ces surfaces.
- Après l'avoir nettoyé, rangez le fumoir dans un endroit sec et recouvert.
- Vérifiez votre fumeur périodiquement pour éviter la rouille et la corrosion en raison de l'accumulation d'humidité.
- Vous pouvez visionner une vidéo expliquant le nettoyage de votre fumoir étape par étape à [www.youtube.com/Masterbuilt Electric Smokehouse](http://www.youtube.com/MasterbuiltElectricSmokehouse) : Cleaning and Storage.

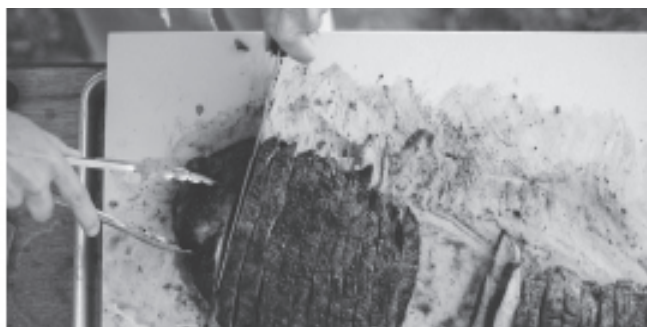
Dépannage

SYMPTÔME	CAUSE	SOLUTION POSSIBLE
Le voyant d'alimentation ne s'allume pas	Pas branché sur la prise murale	Vérifiez le branchement mural
	Le fusible de la maison a sauté	Assurez-vous qu'aucun autre appareil n'est branché sur le même circuit électrique. Vérifiez les fusibles.
	Le connecteur de câble sur le contrôleur n'est pas bien connecté au fumoir	Voir l'étape 5
	Contrôleur défectueux	Prenez contact avec Masterbuilt au www.masterbuilt.com/pages/contact-us
Le fumoir prend énormément de temps à chauffer (plus de 60 à 70 minutes)	Fumoir branché au moyen d'une rallonge	Positionnez le fumoir de telle façon qu'une rallonge n'est pas nécessaire
	La porte ne ferme pas correctement	Fermez la porte et fixez solidement le loquet
	Contrôleur défectueux	Prenez contact avec Masterbuilt au www.masterbuilt.com/pages/contact-us
Il y a un espace entre la porte et le fumoir pendant l'utilisation et il n'est plus possible d'ajuster le loquet de porte	Alignement de la porte	Prenez contact avec Masterbuilt au www.masterbuilt.com/pages/contact-us
	Joint de porte endommagé	
La graisse fuit par la porte et les pieds du fumoir	Le bac à graisse n'est pas en place	Repositionnez de sorte que le trou s'aligne avec l'orifice de vidange dans le bas du fumoir
	Excédent de graisse ou accumulation d'huile dans le fumoir	Nettoyez le fumoir
	Le tube de vidange à l'arrière du fumoir ne draine pas	Vérifiez le positionnement du tube de vidange à l'arrière du fumoir
Aucune fumée	Pas de copeaux de bois	Ajoutez des copeaux de bois.
Pas de fumée au réglage bas	Pas assez de chaleur pour déclencher le fumage	Augmentez la température à 135 °C pendant 8 à 10 minutes ou jusqu'à ce que les copeaux de bois commencent à fumer, puis réduisez la température au réglage bas voulu
La température baisse rapidement, ou le fumoir s'éteint après quelques heures d'utilisation	Problème de câblage interne	Prenez contact avec Masterbuilt au www.masterbuilt.com/pages/contact-us
Le contrôleur affiche un message d'erreur	Le capteur de température ne fonctionne pas correctement	Prenez contact avec Masterbuilt au www.masterbuilt.com/pages/contact-us
Le voyant d'alimentation est allumé, mais le fumoir ne chauffe pas	Défaillance de l'élément	Prenez contact avec Masterbuilt au www.masterbuilt.com/pages/contact-us
Le contrôleur ne permet pas de régler la chaleur	Contrôleur/fumoir défectueux	Prenez contact avec Masterbuilt au www.masterbuilt.com/pages/contact-us
La température du thermomètre à viande n'apparaît pas sur l'afficheur	Thermomètre à viande défectueux	Prenez contact avec Masterbuilt au www.masterbuilt.com/pages/contact-us



MASTERBUILT®

Rassurez-vous, nous sommes là pour vous aider.





MASTERBUILT®

Bienvenido a la familia. Empecemos.

ES40G1.5DW1 AHUMADOR ELÉCTRICO

El manual se aplica a los siguientes números de modelo

MB20070122



Fecha Fabricado - Número de serie

El número de serie se encuentra en la etiqueta de la unidad.

Su número de modelo

IMPORTANTE

Por favor, registrar esta información inmediatamente y guardar en un lugar seguro para su uso futuro.

Manual Code: 9807210012 | 220105-GH

Master it. Masterbuilt.



ADVERTENCIA



- Este manual de instrucciones contiene información importante necesaria para el correcto ensamblaje y uso seguro del aparato.
- Lea y siga todas las advertencias e instrucciones antes de ensamblar y usar el aparato.
- Conserve este manual para referencia en el futuro.



Si no sigue estas instrucciones, podría producirse un peligro de incendio, explosión o quemadura, lo cual podría causar daños a la propiedad, lesiones personales o la muerte.



PELIGRO DE MONÓXIDO DE CARBONO



- Quemar trozos de madera genera monóxido de carbono, el cual no tiene olor y puede causar la muerte.
- NO queme los trozos de madera dentro de los hogares, vehículos, tiendas de acampar, garajes o cualquier área cerrada.
- Use solamente las áreas exteriores donde está bien ventilado.



ADVERTENCIAS Y SALVAGUARDAS IMPORTANTES



LEA TODAS LAS INSTRUCCIONES

- El ahumador es solo para uso CASERO en exteriores.
- Nunca use dentro de áreas cerradas como patios, garajes, edificios o tiendas.
- Nunca use en vehículos recreativos o botes.
- Nunca opere este ahumador bajo cualquier construcción aérea, como cubiertas de techos, porches de autos, toldos o voladizos.
- Nunca utilice este ahumador como un calentador (LEER PELIGRO DE MONÓXIDO DE CARBONO).
- Mantenga una distancia mínima de 10 pies (3m) de construcciones aéreas, paredes, rieles u otras estructuras.
- Mantenga un mínimo de 10 pies (3m) de espacio libre de todos los materiales combustibles como madera, plantas secas, césped, escobillas, papel o lienzos.
- Mantenga el área alrededor del artefacto despejada y libre de materiales combustibles, como gasolina y otros vapores y líquidos inflamables.
- Use el ahumador sobre una superficie no combustible y estable tal como tierra, concreto, ladrillo o piedra.
- El ahumador DEBE estar sobre el suelo. No coloque el ahumador en mesas o mostradores. NO mueva el ahumador por superficies desniveladas.
- No use el ahumador en superficies de madera o inflamables.
- NO deje el ahumador desatendido.
- Nunca use el ahumador para ninguna otra cosa que no sea su propósito intencionado. Este ahumador NO es para uso comercial.
- Conserve un extintor de incendios accesible en todo momento mientras opere el ahumador.
- Antes de cada uso, verifique todas las tuercas, tornillos y pernos para asegurarse que estén firmes y asegurados.
- El uso de alcohol y de medicamentos con o sin receta pueden obstaculizar la habilidad del usuario de ensamblar u operar correctamente el ahumador.
- Se debe tener precaución extrema cuando se mueva un artefacto que contenga aceite u otros líquidos calientes.
- Siempre fije primero el enchufe al artefacto y luego enchufe el cable en el tomacorriente de la pared. Para desconectar, apague el control en OFF y luego retire el enchufe de la pared.
- No use el artefacto para un uso distinto al previsto.
- En este artefacto no se debe usar combustible, como por ejemplo briquetas de carbón.
- Use solamente con un tomacorriente correctamente puesto a tierra.



ADVERTENCIAS Y SALVAGUARDAS IMPORTANTES



- Se debe usar un cable de alimentación de energía corto (o un cable de alimentación de energía desmontable) para reducir el riesgo que resulta de enredarse o tropezarse con un cable más largo.
- La conexión con un cable de extensión debe mantenerse seca y fuera del suelo.
- **ADVERTENCIA:** No se debe usar carbón o combustibles similares con este artefacto.
- El artefacto debe suministrarse a través de un dispositivo de corriente residual (RCD) que tenga una corriente operativa residual nominal no mayor a 30 mA.
- El artefacto debe conectarse a un tomacorriente que tenga un contacto a tierra (para artefactos de Clase I).
- El cable de alimentación debe examinarse con regularidad en busca de signos de daños, y el artefacto no debe usarse si el cable está dañado.
- Mantenga a los niños y mascotas lejos del ahumador en todo momento. No **PERMITA** que los niños usen el ahumador. Es necesaria una supervisión cercana cuando haya niños o mascotas en el área donde se usa el ahumador.
- **NO** permita que nadie realice actividades alrededor del ahumador durante o después de su uso hasta que se haya enfriado.
- Evite golpear o chocar el ahumador.
- Nunca mueva el ahumador cuando esté en uso. Deje que el ahumador se enfríe completamente (por debajo de los 115°F (45°C) antes de moverlo o guardarlo.
- El ahumador está **CALIENTE** mientras está en uso y permanecerá **CALIENTE** por un cierto período de tiempo y durante el proceso de enfriamiento. Tenga **PRECAUCIÓN**. Use guantes/mitones de protección.
- No toque las superficies **CALIENTES**. Use las asas o las perillas.
- No use perlas de madera.
- Nunca use recipientes de vidrio, plástico o cerámica en el ahumador. Nunca coloque utensilios vacíos en el ahumador mientras esté en uso.
- No se recomienda usar accesorios adicionales no suministrados por Masterbuilt Manufacturing, LLC; estos podrían causar lesiones.
- La bandeja de madera está **CALIENTE** cuando el ahumador está en uso. Use precaución cuando agregue trozos de madera.
- Tenga cuidado cuando retire los alimentos del ahumador. Todas las superficies están **CALIENTES** y pueden causar quemaduras. Use guantes protectores o herramientas de cocina largas y robustas.
- Siempre use el ahumador en conformidad con todos los códigos contra incendios locales, estatales y federales aplicables.
- Deseche las cenizas frías colocándolas en papel aluminio, remojándolas en agua y desechándolas en un contenedor no combustible.
- No almacene el ahumador con cenizas **CALIENTES** dentro del ahumador. Almacene únicamente cuando todas las superficies estén frías.
- Cuando use artefactos eléctricos, siempre se deben seguir las precauciones básicas de seguridad, incluyendo las siguientes: 1) No enchufe el ahumador eléctrico hasta que esté completamente ensamblado y listo para usarse. 2) Use únicamente un tomacorrientes eléctrico puesto a tierra aprobado. 3) No use el ahumador durante una tormenta eléctrica. 4) No exponga el ahumador eléctrico a la lluvia o al agua en ningún momento.
- Para protegerse contra una descarga eléctrica, no sumerja el cable, enchufe o panel de control en agua u otro líquido.
- No opere ningún ahumador con un cable o enchufe dañado, o si el ahumador se malogra o se ha dañado de alguna manera.
- Los cables de alimentación desmontables más largos pueden usarse si se tiene cuidado en su uso.



ADVERTENCIAS Y SALVAGUARDAS IMPORTANTES

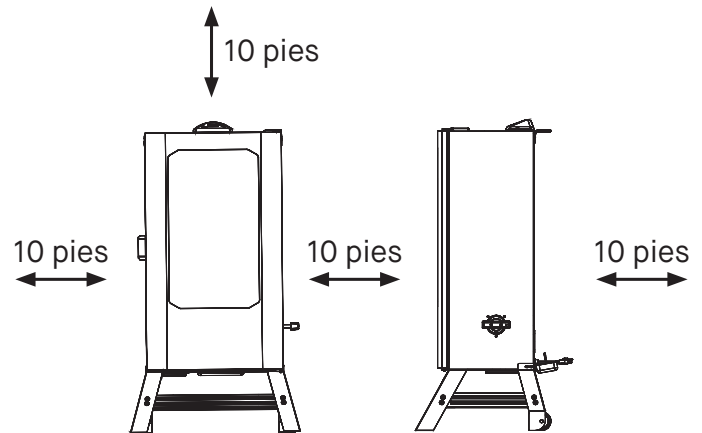


- Si se usa un cable de alimentación desmontable o cable de extensión más largo: 1) La calificación eléctrica marcada del set de cables o el cable de extensión debe ser al menos igual que la calificación eléctrica del artefacto; y 2) El cable debe acomodarse de tal forma que no cuelgue del mostrador o de la mesa, de donde pueda ser tirado por los niños o donde sea objeto de tropiezo inintencional.
- El cable de extensión debe ser uno de tipo 3 puesto a tierra.
- Se debe usar cables de extensión para exteriores con productos de uso para exteriores, los cuales deben llevar una marca del sufijo "W", además de la leyenda "Apropiado para uso con ahumadores de uso en exteriores".
- PRECAUCIÓN - Para reducir el riesgo de descarga eléctrica, conserve seco el cable de extensión y fuera de la tierra.
- No permita que el cable está colgando o tocando superficies calientes.
- No lo coloque encima o cerca a una hornilla eléctrica o de gas caliente, o en un horno calentado.
- El combustible, como briquetas de carbón vegetal o perlas de calor, no deben usarse en el ahumador eléctrico.
- Para desconectar, apague el panel de control, luego retire el enchufe del tomacorrientes.
- Desenchufe el enchufe del suministro cuando no esté en uso y antes de la limpieza. Deje que el ahumador se enfríe completamente antes de agregar/retirar las rejillas, bandeja de goteo o tazón de agua.
- La bandeja de goteo es solamente para la parte inferior del ahumador eléctrico. No coloque la bandeja de goteo en la rejilla. Esto puede dañar el ahumador eléctrico.
- No limpie este producto con un rociador de agua o producto similar.
- Guarde el ahumador en interiores cuando no esté en uso, fuera del alcance de los niños.

GUARDE ESTAS INSTRUCCIONES

Recomendaciones de proximidad estructural y uso seguro

RECORDATORIO: Mantenga una distancia mínima de 10 pies (3 m) de la parte trasera, lateral y superior del ahumador con construcciones aéreas, paredes, rieles u otras construcciones combustibles. Este despeje ofrece un espacio adecuado para una adecuada combustión, circulación del aire y ventilación.

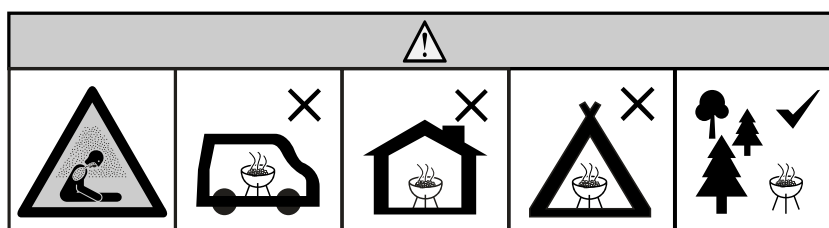


ADVERTENCIA



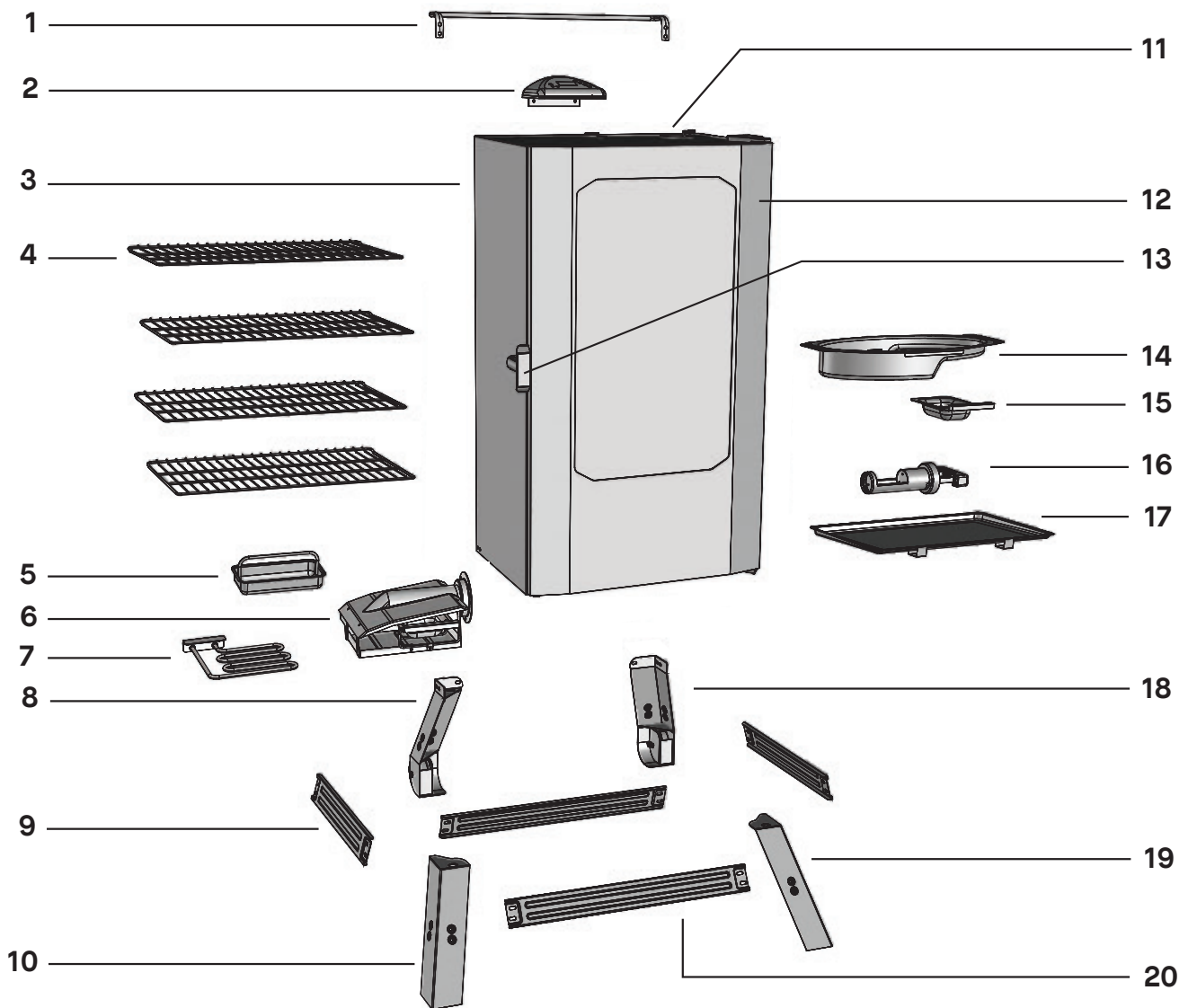
El cable de alimentación eléctrico es un peligro de tropiezo.

- Parts that are preassembled at time of purchase should be ordered separately if replacement is needed.
- Les pièces préassemblées au moment de l'achat doivent être commandées séparément si le remplacement est nécessaire.
- Las piezas preensambladas en el momento de la compra deben pedirse por separado si se requiere reemplazo.



Lista de partes

El producto real puede ser distinto de la imagen mostrada



NO	CANT.	DESCRIPCIÓN	NO	CANT.	DESCRIPCIÓN
1	1	Manija	11	1	Regulador de aire (previamente ensamblado)
2	1	Panel de control digital	12	1	Puerta (previamente ensamblada)
3	1	Cuerpo del ahumador	13	1	Manija de la puerta
4	4	Rejilla	14	1	Tazón de agua
5	1	Bandeja para grasa	15	1	Bandeja de trozos de madera
6	1	Carcasa de trozos de madera	16	1	Cargador de trozos de madera
7	1	Elemento	17	1	Bandeja de goteo
8	1	Pata trasera izquierda	18	1	Pata trasera derecha
9	2	Barra de soporte lateral	19	1	Pata delantera derecha
10	1	Pata delantera izquierda	20	2	Barra de soporte cruzada

Hardware List | Liste de quincaillerie | Lista de Accesorios



A

M6x12
Cant.-16



B

Tuerca de brida M6
Cant.-16



C

Arandela plana M10
Cant.-4



D

Perno M10x30
Cant.-4



E

M5x14
Cant.- 12



F

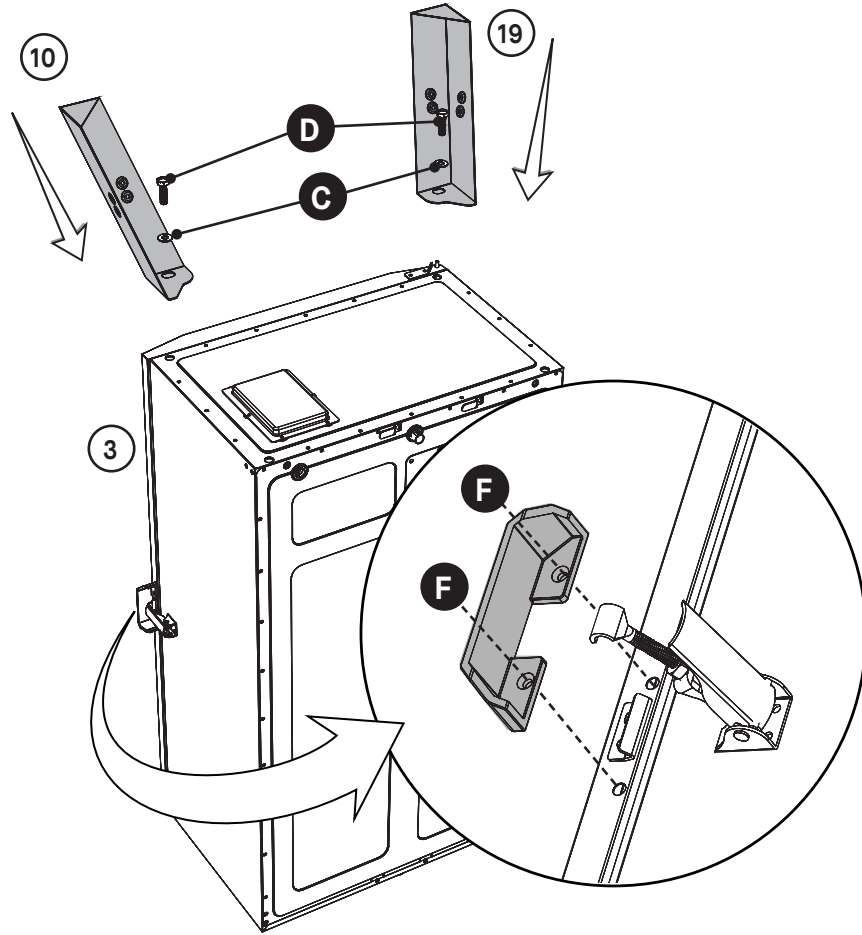
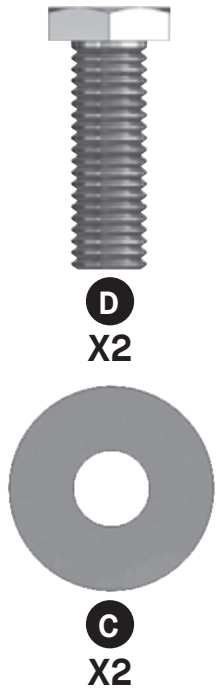
M4x8
Cant.- 2

• ANTES DEL ENSAMBLAJE LEA TODAS LAS INSTRUCCIONES CUIDADOSAMENTE.

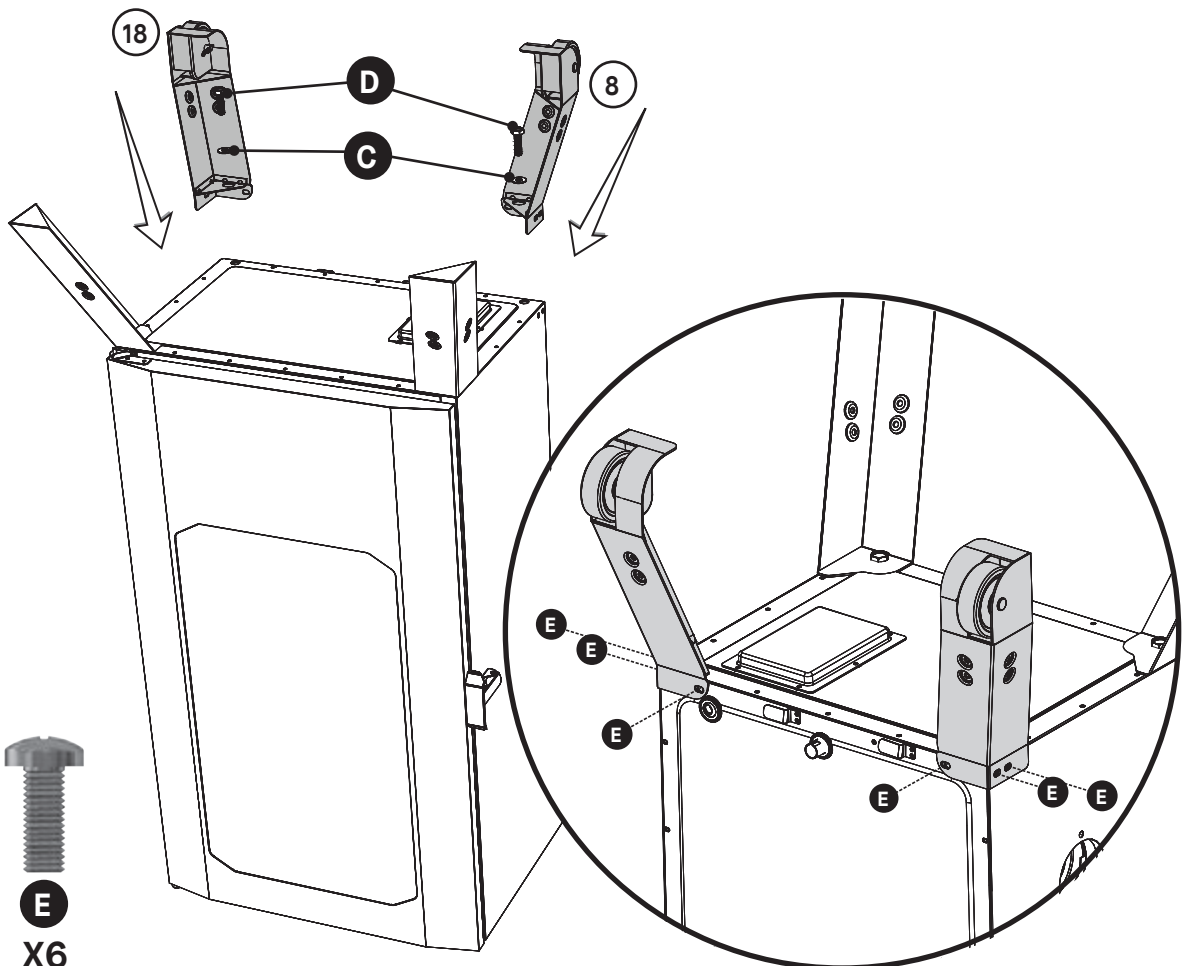
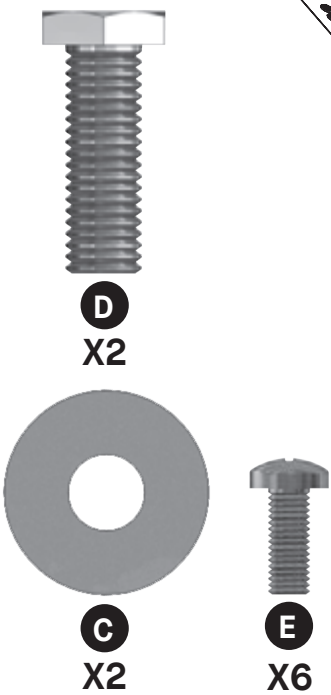
- Ensamble la unidad en una superficie limpia y plana.
- Herramienta necesaria: Llave ajustable, Destornillador en cruz
- Tiempo aproximado de ensamblaje: 25 minutos
- El producto real puede ser distinto de la imagen mostrada.
- Algunos pasos del ensamblaje pueden ya estar completados debido a un preensamblaje en fábrica.

Ensamblaje

1



2



Ensamblaje

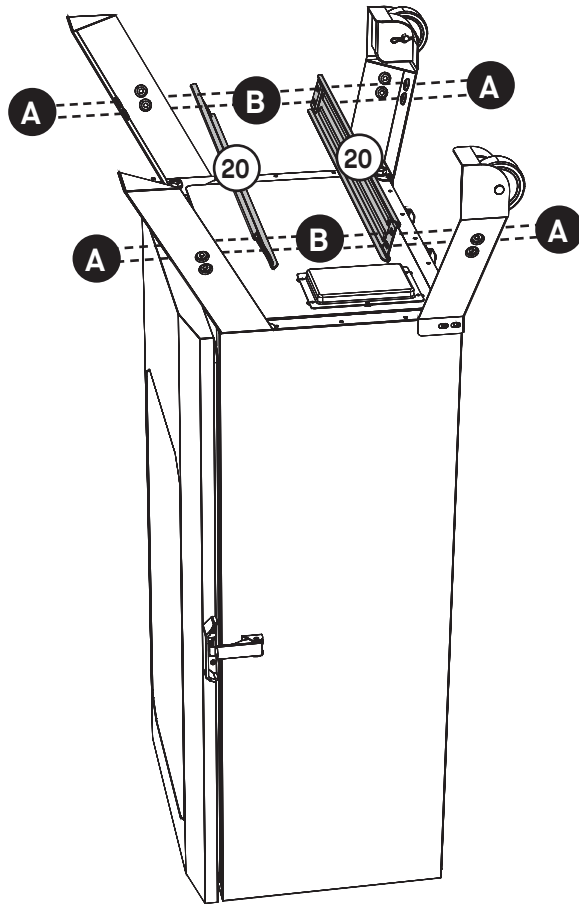
3



A
X8



B
X8



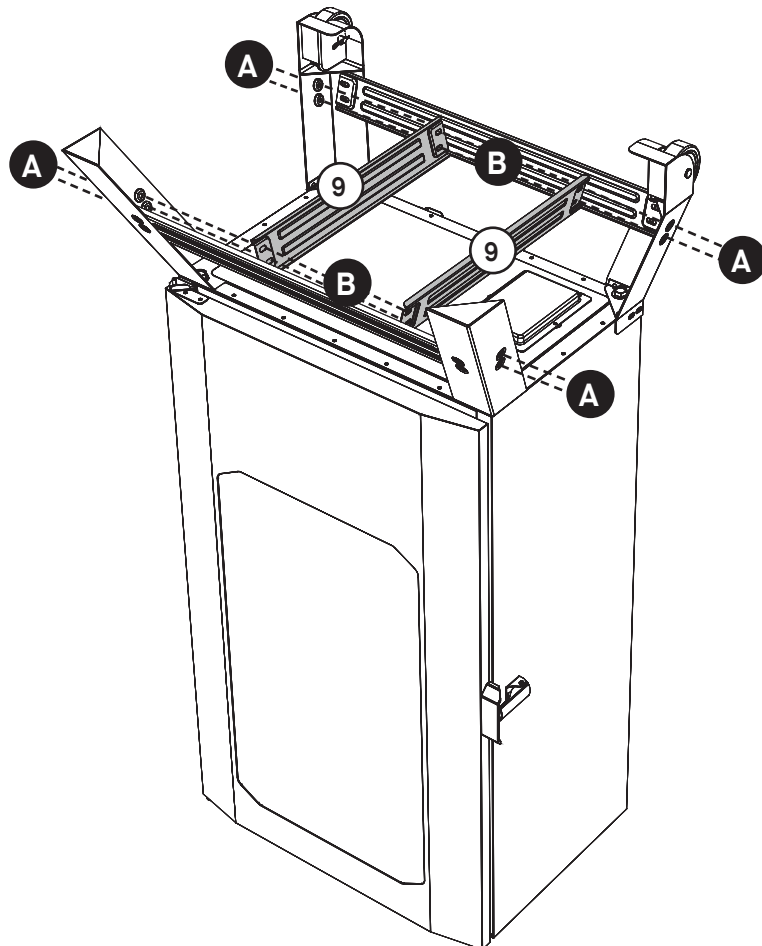
4



A
X8



B
X8



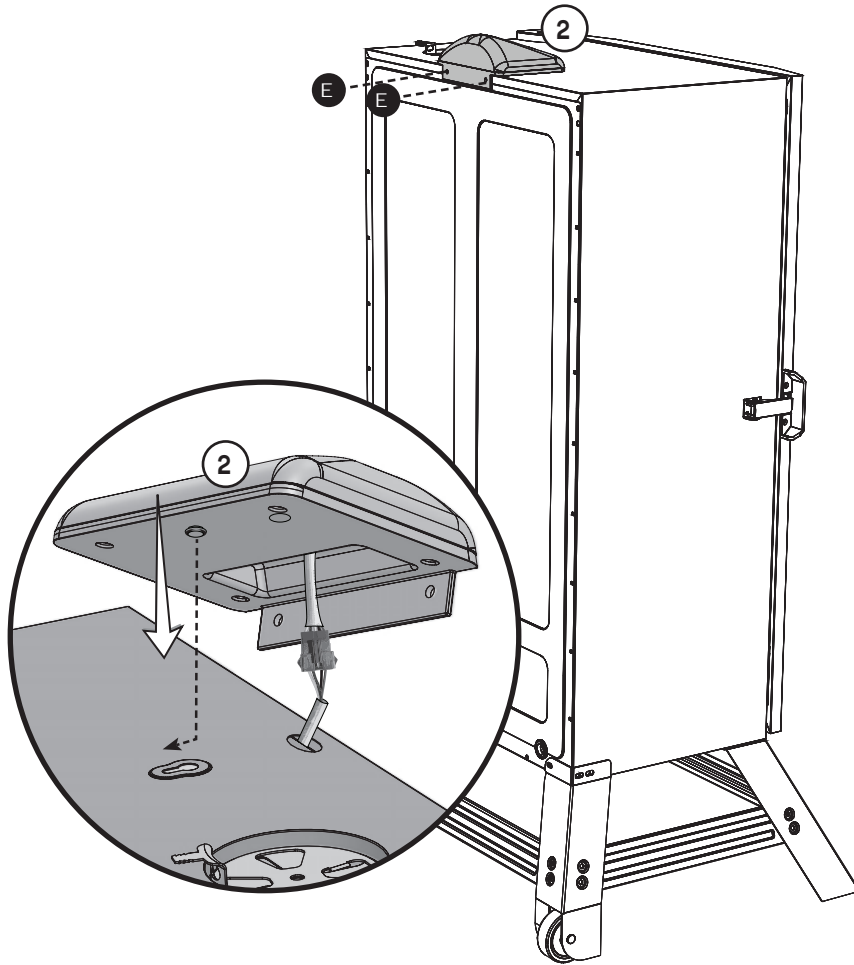
Ensamblaje

5



E

X2

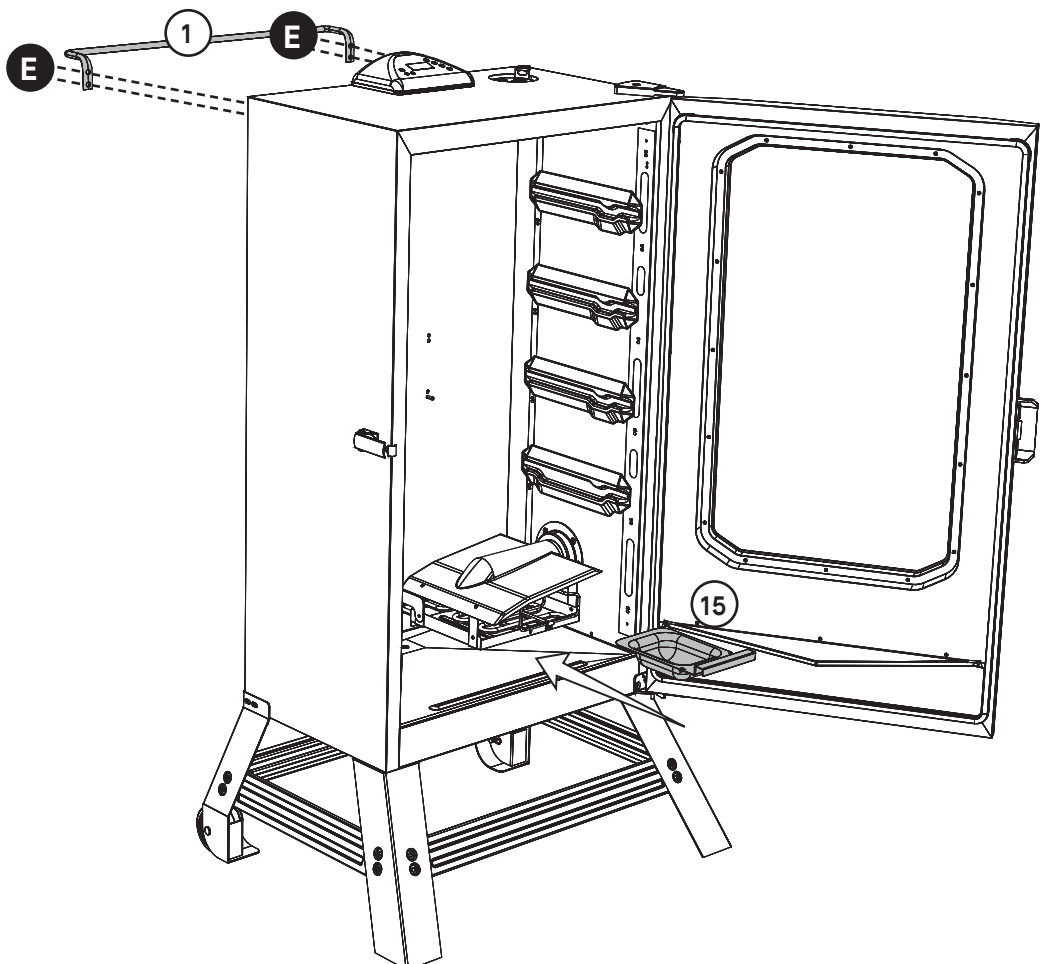


6

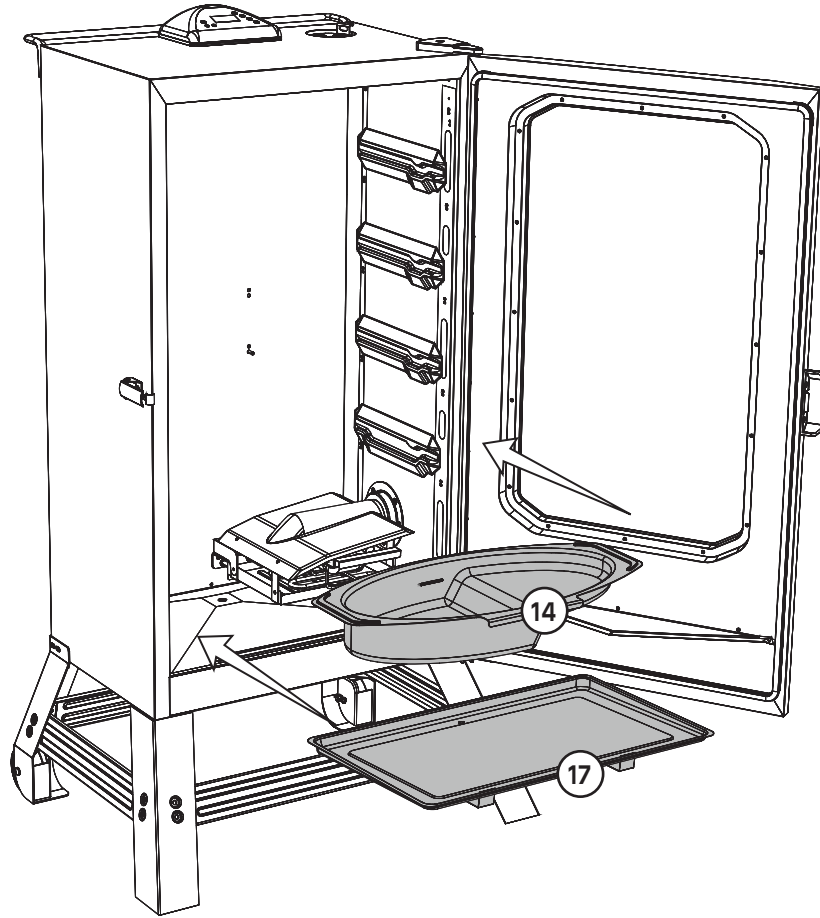


E

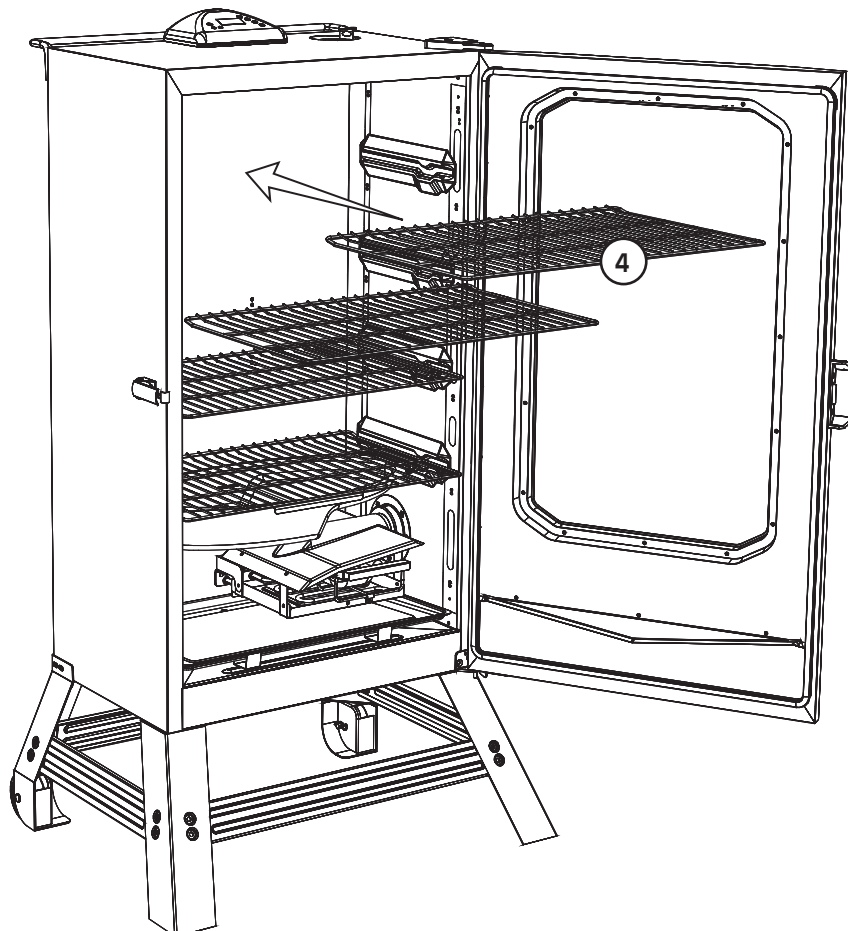
X4



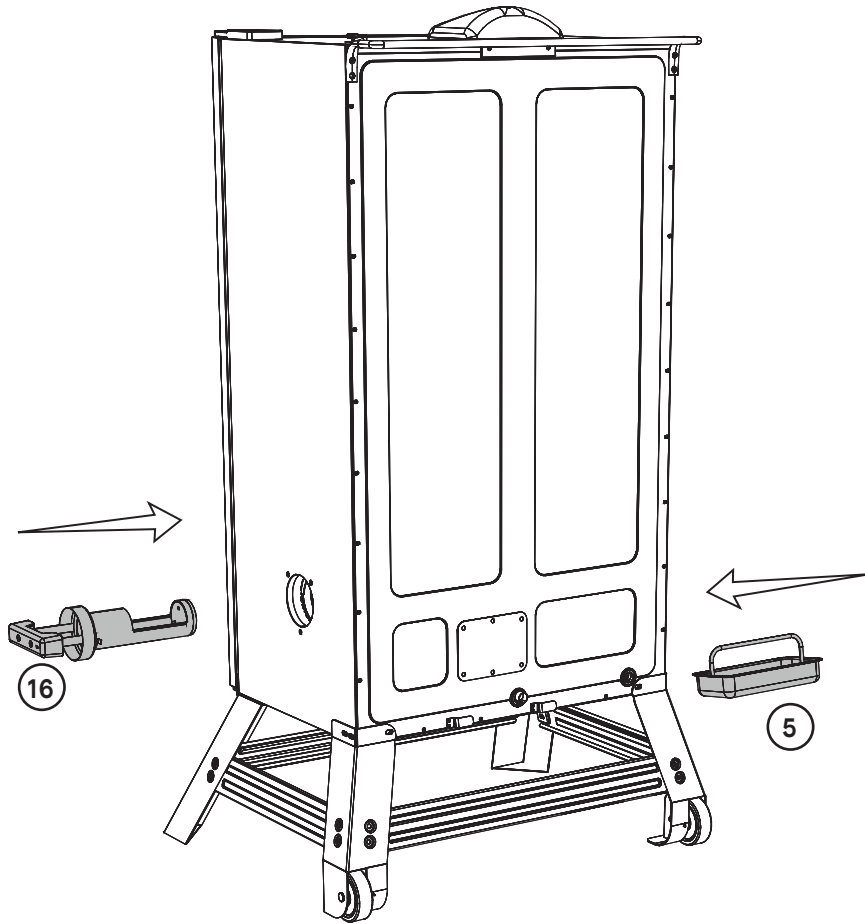
7



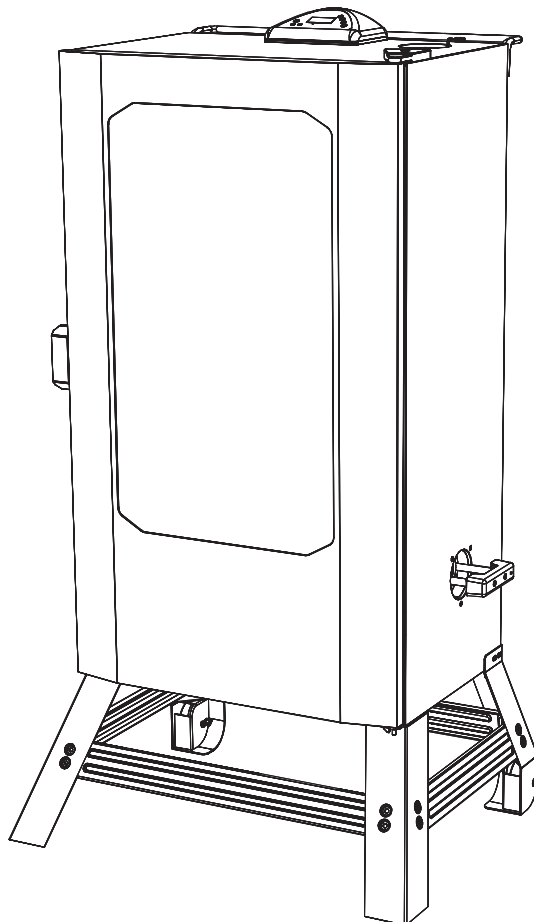
8



9



10



Instrucciones de operación



Nota: La luz solar directa puede interferir con la capacidad para leer la pantalla LED. Bloque la luz si es necesario.

PANEL DE CONTROL

Para configurar la temperatura:

Presione el botón ON/OFF.

- Presione el botón CONFIGURAR TEMP una vez, la pantalla LED va a parpadear.
- Use las flechas hacia arriba o abajo para configurar la temperatura. La configuración de temperatura máxima es de 275°F (135°C).
- Presione el botón CONFIGURAR TEMP otra vez para bloquear la temperatura.

Nota: No empezará a calentar hasta que se configure el temporizador.

Para configurar el temporizador:

- Presione el botón CONFIGURAR HORA una vez, la pantalla LED va a parpadear.
- Use las flechas hacia arriba o abajo para configurar la hora.
- Presione el botón CONFIGURAR HORA otra vez para bloquear la hora. Los minutos LED empezarán a parpadear.
- Use las flechas hacia arriba o abajo para configurar los minutos.
- Presione CONFIGURAR HORA para bloquear los minutos y empezar el ciclo de cocción. El calor se apagará cuando la hora haya expirado.

NOTA: Cuando la temperatura externa sea menor de 65°F (18°C) y/o la altitud mayor de 3,500 pies (1067m), puede ser necesario un tiempo de cocción adicional. Para asegurarse que la carne esté completamente cocida utilice un termómetro para carnes para comprobar la temperatura interna o use una sonda de carnes, si viene incluida.

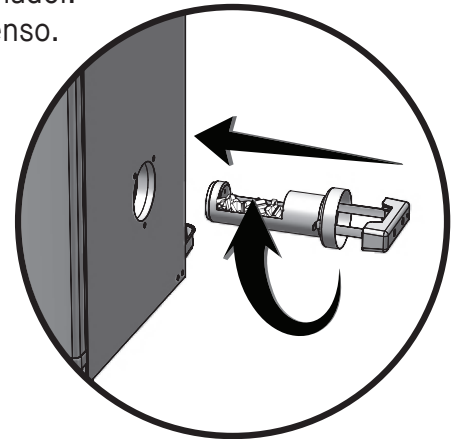
Para REINICIAR el panel de control:

Si el panel de control muestra un mensaje de error, apague el ahumador y desenchufe el ahumador del tomacorriente. Espere diez segundos, vuelva a conectar el ahumador en el tomacorriente y luego encienda el ahumador.

Instrucciones de operación

CARGADOR DE TROZOS DE MADERA

- El cargador de trozos de madera DEBE estar en su lugar cuando se use el ahumador. This minimizes the chance of wood flare ups.
- Se debe usar trozos de madera para producir humo y crear el sabor de ahumado.
- Antes de iniciar el ahumador, coloque ½ taza de trozos de madera en el cargador.
- Nunca use más que ½ taza de trozos de madera a la vez. Nunca use leños grandes o perlas de madera.
- Inserte el cargador de trozos de madera en el ahumador. Los trozos de madera deben nivelarse con el borde superior del cargador de trozos de madera.
- Gire el asa hacia la derecha, en dirección de la marca de la flecha en el ahumador para descargar la madera. Los trozos de madera caerán a la bandeja de trozos de madera. Gire el asa hacia la izquierda, hasta una posición recta y deje el cargador de trozos de madera en su lugar.
- Si los trozos de madera no ahúman en la configuración baja, aumente la temperatura a 275°. Luego de 8 a 10 minutos o cuando los trozos de madera comiencen a consumirse, reduzca la temperatura a la configuración baja deseada.
- Puede usar trozos de madera secos o previamente remojados en su ahumador. Los trozos secos se quemarán más rápido y producirán un humo más intenso. Los trozos previamente remojados en agua (por aproximadamente 30 minutos) se quemarán más lentamente y producirán un humo menos intenso.
- Verifique la bandeja de trozos de madera periódicamente para ver si la madera se ha consumido. Agregue más trozos de madera según sea necesario.
- No deje cenizas antiguas en la bandeja de trozos de madera. Una vez que las cenizas estén frías, vacíe la bandeja. La bandeja debe limpiarse antes de y después de cada uso para evitar la acumulación de cenizas.



CÓMO AGREGAR MÁS TROZOS DE MADERA DURANTE EL PROCESO DE AHUMADO:

NOTA: Nunca agregue más de ½ taza (1 cargador de trozos lleno) a la vez. Los trozos de madera adicionales no deben agregarse hasta que los trozos anteriores hayan dejado de generar humo.

- Retire el cargador de trozos de madera del ahumador.
- Coloque los trozos de madera en el cargador de trozos de madera e insértelo en el ahumador.
- Gire el asa hacia la derecha, en dirección de la marca de la flecha en el ahumador para descargar los trozos de madera. Los trozos de madera caerán a la bandeja de trozos de madera.
- La temperatura podría aumentar rápidamente por un corto tiempo luego de agregar los trozos de madera. Se estabilizará luego de un corto período de tiempo. No ajuste la configuración de temperatura.



PRECAUCIÓN



- Mantenga la puerta del ahumador cerrada cuando agregue los trozos de madera. Se puede producir un estallido cuando se abre la puerta. Si los trozos de madera estallaran, cierre la puerta inmediatamente y ventile, espere que los trozos de madera se consuman, luego vuelva a abrir la puerta. No rocíe agua.
- El cargador de trozos de madera estará CALIENTE incluso si el asa no lo está.
- Nunca use leños grandes o perlas de madera.

Instrucciones de operación

CURADO PREVIO

CURE PREVIAMENTE SU AHUMADOR ANTES DEL PRIMER USO. Algo de humo puede aparecer durante este momento, esto es normal.

1. Asegúrese de que el tazón de agua esté en su lugar SIN AGUA.
2. Configure la temperatura a 275°F (135°C) y encienda el ahumador por 3 horas.
3. Agregue 1/2 taza de astillas de madera al cargador de trozos de madera durante los últimos 45 minutos para completar curado previo.
4. Apague y deje enfriar.

CARGA DE LOS ALIMENTOS EN EL AHUMADOR

- Caliente previamente el ahumador por 30 a 45 minutos a la temperatura de cocción deseada antes de cargar los alimentos.
- NO cubra las rejillas con papel de aluminio ya que esto no permitirá que el calor circule correctamente.
- NO sobrecargue el ahumador con alimentos. Las cantidades extra grandes de comida pueden atrapar el calor, extender el tiempo de cocción y causar una cocción desigual. Deje espacio entre los alimentos y los lados del ahumador para asegurar una correcta circulación. Si utiliza bandejas de cocción, colóquelas en el centro de la rejilla para asegurar una cocción uniforme.
- No abra la puerta del ahumador a menos que sea necesario. Abrir la(s) puerta(s) del ahumador hace que el calor se escape, puede prolongar el tiempo de cocción y puede causar estallidos de los trozos de madera. Cerrar la puerta volverá a estabilizar la temperatura y detendrá cualquier estallido.
- Se producirá una gran cantidad de humo cuando se usan los trozos de madera. El humo escapará a través de las ranuras y hará que el interior del ahumador se ponga negro. Esto es normal. Para minimizar la pérdida de humo alrededor de la puerta, se puede ajustar el seguro para ajustar más el sello de la puerta contra el cuerpo.
- Para ajustar el seguro de la puerta, afloje la tuerca hexagonal en el seguro de la puerta. Gire el gancho hacia la derecha para ajustar como se muestra. Asegure la tuerca hexagonal firmemente contra el seguro de la puerta (ver diagrama).
- Revise la bandeja de grasa con frecuencia durante la cocción. Vacíe la bandeja de grasa antes que se llene. La bandeja de grasa puede necesitar un vaciado frecuente durante la cocción.

TAZÓN DE AGUA

- Espere hasta que el ahumador alcance la temperatura deseada.
 - Llene el tazón de agua hasta la línea de llenado con agua o líquidos como jugo de manzana o de piña.
 - También puede agregar tajadas de fruta, cebollas o hierbas secas frescas en el agua para combinar distintos sabores en sus alimentos ahumados.
- Consejos:** Para pollo u otros alimentos altamente húmedos, no se requiere líquido o sino muy poco.

LIMPIEZA Y ALMACENAMIENTO

- **SIEMPRE ASEGÚRESE QUE EL AHUMADOR ESTÉ FRÍO AL TACTO ANTES DE LIMPIAR Y ALMACENAR.**
- Asegúrese de limpiar el ahumador después de cada uso. Esto extenderá la vida de su ahumador y evitará el moho y los hongos.
- Para los soportes de la rejilla, tazón de agua y bandeja de goteo, use un detergente para platos suave. Enjuague y seque exhaustivamente.
- Para la bandeja de trozos de madera y el cargador de trozos de madera, limpie frecuentemente para eliminar la acumulación de cenizas, residuos y polvo.
- Deseche las cenizas frías colocándolas en papel aluminio, remojándolas en agua y desechándolas en un contenedor no combustible.
- Para el interior, el vidrio de la puerta y el exterior del ahumador, simplemente limpie de arriba a abajo con un paño húmedo. No use agentes de limpieza caseros. Asegúrese de secar exhaustivamente.
- Luego de la limpieza, almacene el ahumador en un área cubierta y seca.
- Revise a su ahumador periódicamente para evitar la oxidación y la corrosión debido a la acumulación de humedad.
- Mire un video con instrucciones paso a paso sobre cómo limpiar su ahumador en [www.youtube.com/Masterbuilt Electric Smokehouse](http://www.youtube.com/MasterbuiltElectricSmokehouse): Limpieza y almacenamiento.

DetECCIÓN Y SOLUCIÓN DE PROBLEMAS

PROBLEMA	CAUSA	SOLUCIÓN POSIBLE
La luz de encendido no se enciende	No está enchufado a la pared	Verifique la conexión a la pared
	El interruptor de la casa se ha fundido	Asegúrese que no haya otros aparatos operando en el mismo circuito eléctrico. Verifique los interruptores del hogar.
	El conector de cables en el controlador no está bien conectado al ahumador	Ver Paso 5
	Mal funcionamiento del controlador	Contacte a Masterbuilt en www.masterbuilt.com/pages/contact-us
El ahumador toma una excesiva cantidad de tiempo para calentarse (más que 60-70 minutos)	El ahumador se ha enchufado con un cable de extensión	Configure el ahumador para que no se tenga que usar un cable de extensión
	La puerta no se cierra correctamente	Cierre la puerta y ajuste el pestillo con seguridad
	Mal funcionamiento del controlador	Contacte a Masterbuilt en www.masterbuilt.com/pages/contact-us
Hay un espacio libre entre la puerta y el ahumador cuando está en uso y el seguro de la puerta no puede ajustarse más	Alineamiento de la puerta	Contacte a Masterbuilt en www.masterbuilt.com/pages/contact-us
	Sello de la puerta dañado	
Hay grasa derramándose del ahumador por la puerta y las patas	La bandeja de goteo no está en su lugar	Cámbiela de lugar para que los orificios se alineen con los orificios de drenaje del ahumador
	Exceso de grasa o acumulación de aceite en el ahumador	Limpie el ahumador
	El tubo de drenaje en la parte posterior del ahumador no está drenando	Verifique el posicionamiento del tubo de drenaje en la parte posterior del ahumador
No ahúma	No hay trozos de madera	Añada trozos de madera
No se produce humo en la configuración baja	No hay suficiente calor para inducir el ahumado	Aumente la temp a 135° C por 8 a 10 minutos, o cuando los trozos de madera comiencen a arder, luego reduzca a la configuración baja deseada
La temperatura ha disminuido rápidamente o ha desaparecido, luego de unas pocas horas de uso	Problema con cableado interno	Contacte a Masterbuilt en www.masterbuilt.com/pages/contact-us
El controlador está mostrando un mensaje de error	Mal funcionamiento del sensor de temperatura	Contacte a Masterbuilt en www.masterbuilt.com/pages/contact-us
La luz de encendido está prendida pero el ahumador no está calentando	Falla del elemento	Contacte a Masterbuilt en www.masterbuilt.com/pages/contact-us
El controlador no ajusta el calor	Mal funcionamiento del ahumador/del controlador	Contacte a Masterbuilt en www.masterbuilt.com/pages/contact-us
La temperatura de la sonda de carne no se muestra en pantalla	Mal funcionamiento de la sonda de carne	Contacte a Masterbuilt en www.masterbuilt.com/pages/contact-us



MASTERBUILT®

Tenga la seguridad de que estamos aquí para ayudarle.

