

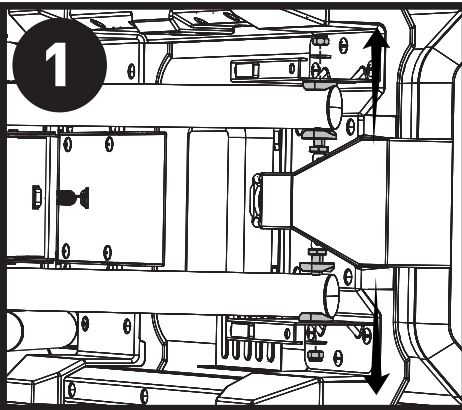
# MASTERBUILT®

## Leg Instruction Sheet

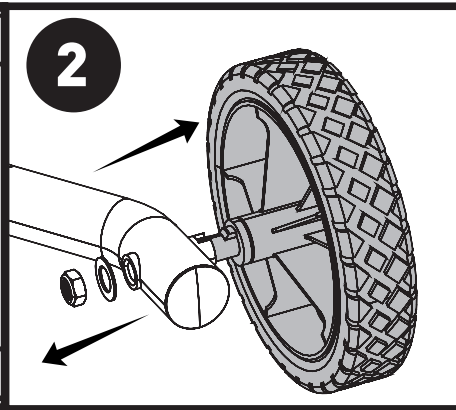
### Portable Grill CGT18G1A



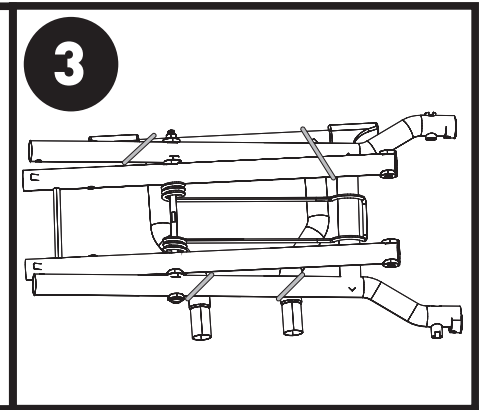
- Always remove plug from outlet before servicing your grill.
- Make sure your grill has fully cooled to avoid burns.
- Some components may have sharp edges. Use caution to avoid injury.
- Remove grate, manifold, and charcoal from your grill.



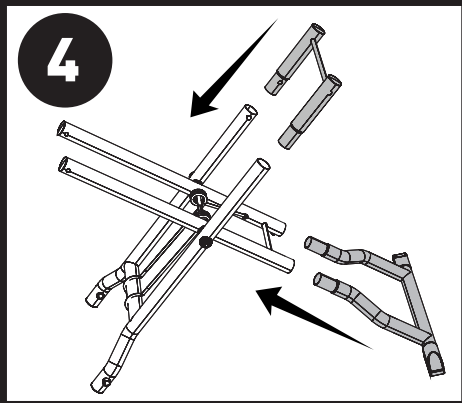
1 Remove the legs from the brackets.



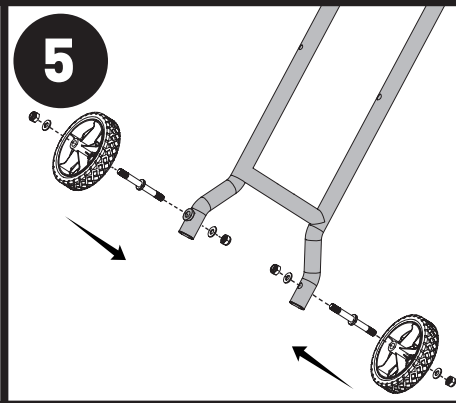
2 Remove the wheels and hardware from the old legs. Save for step 5.



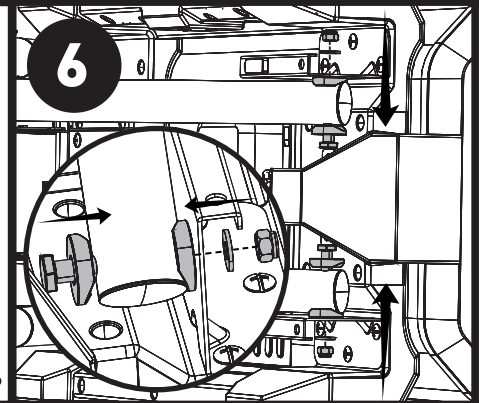
3 Remove the zip ties from the leg assembly.



4 Assemble the leg assembly.



5 Attach the wheels to the right leg.



6 Attach the new leg assembly to the grill body.