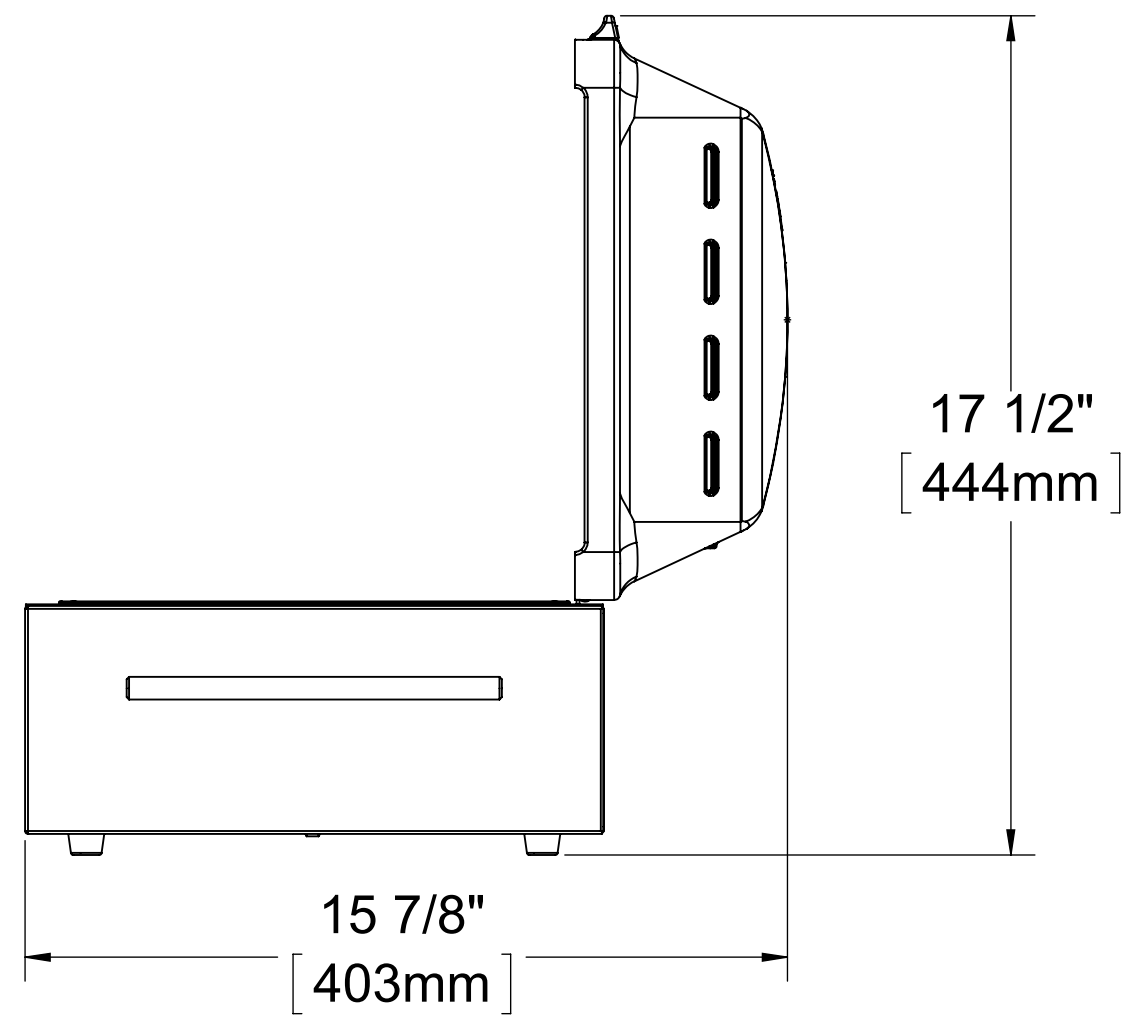
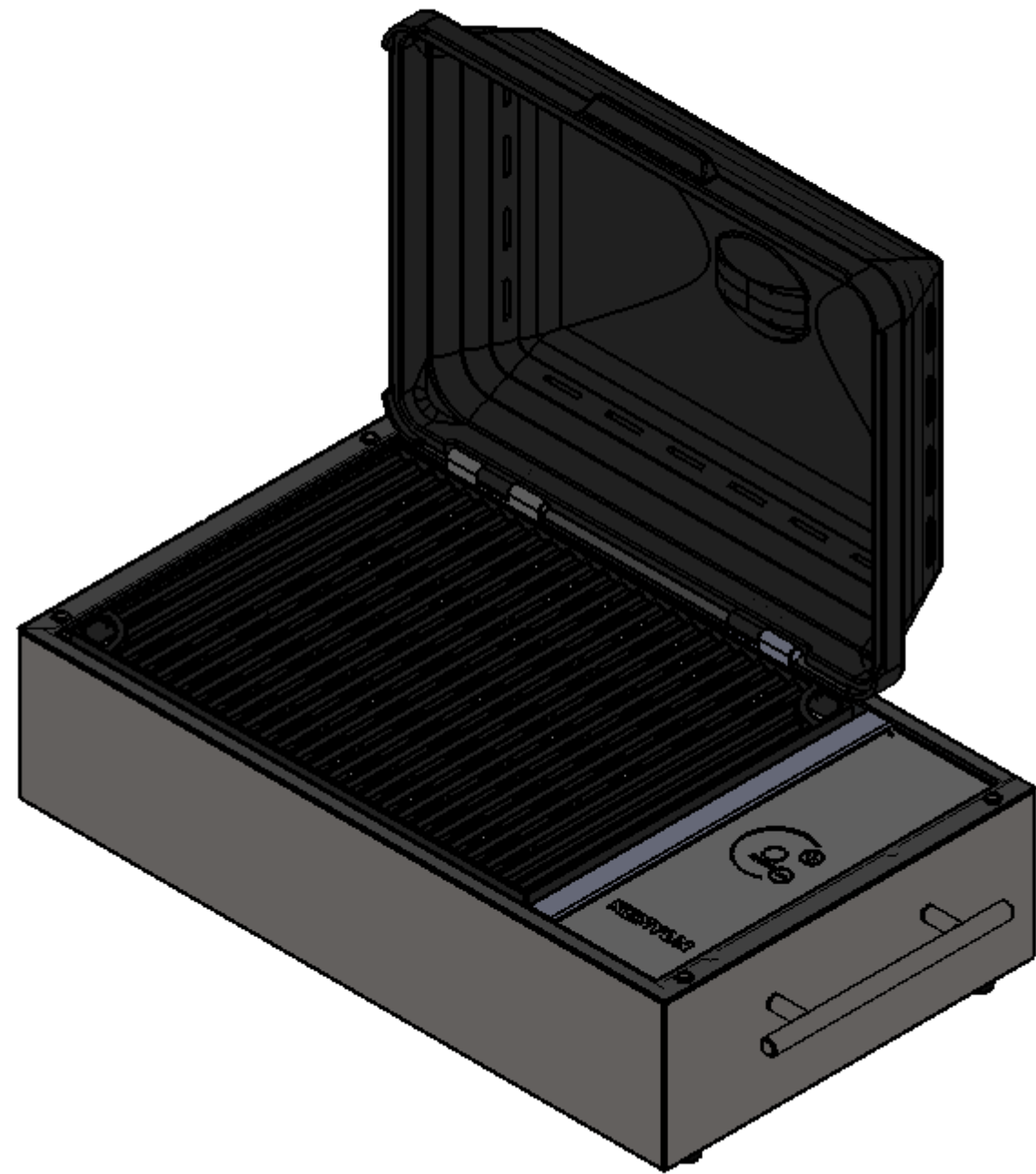
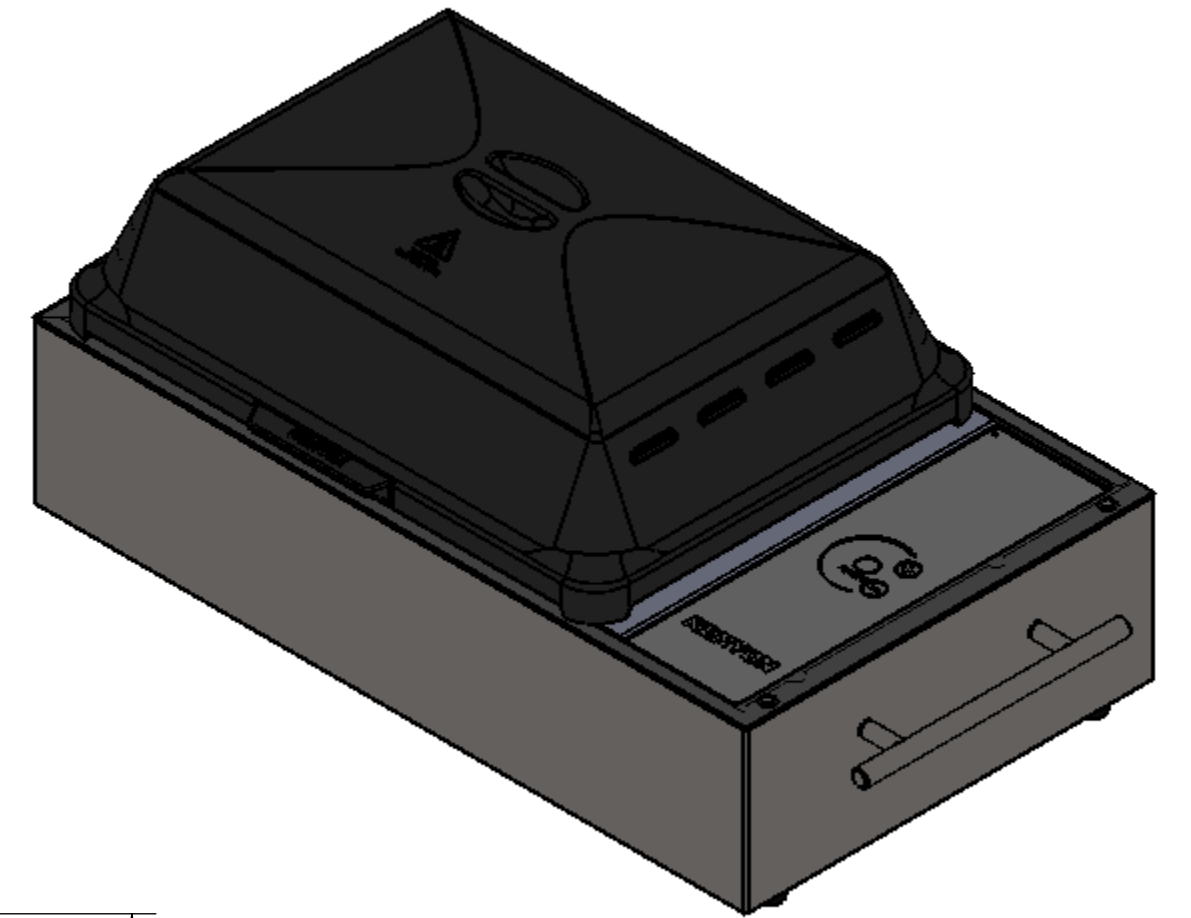
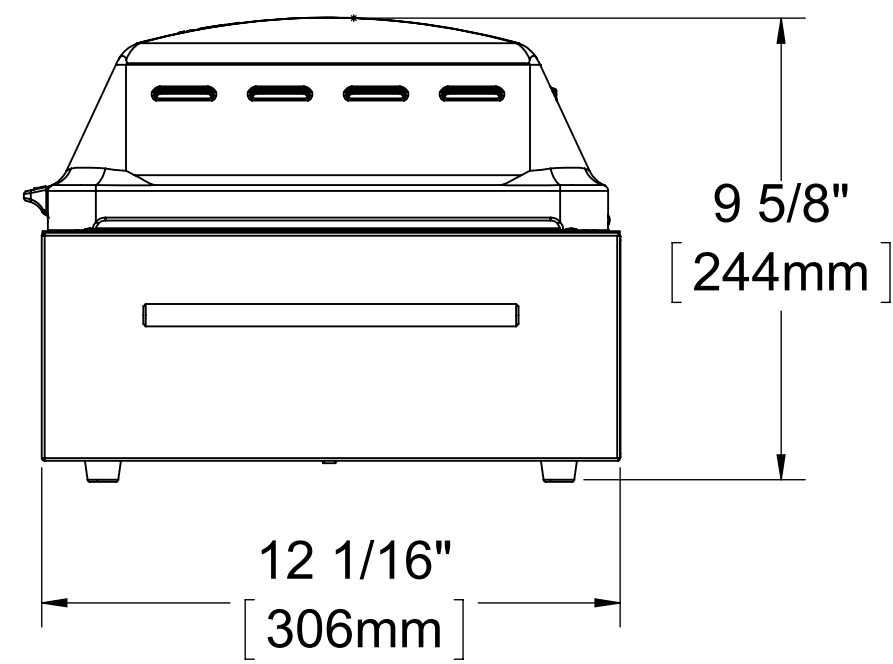
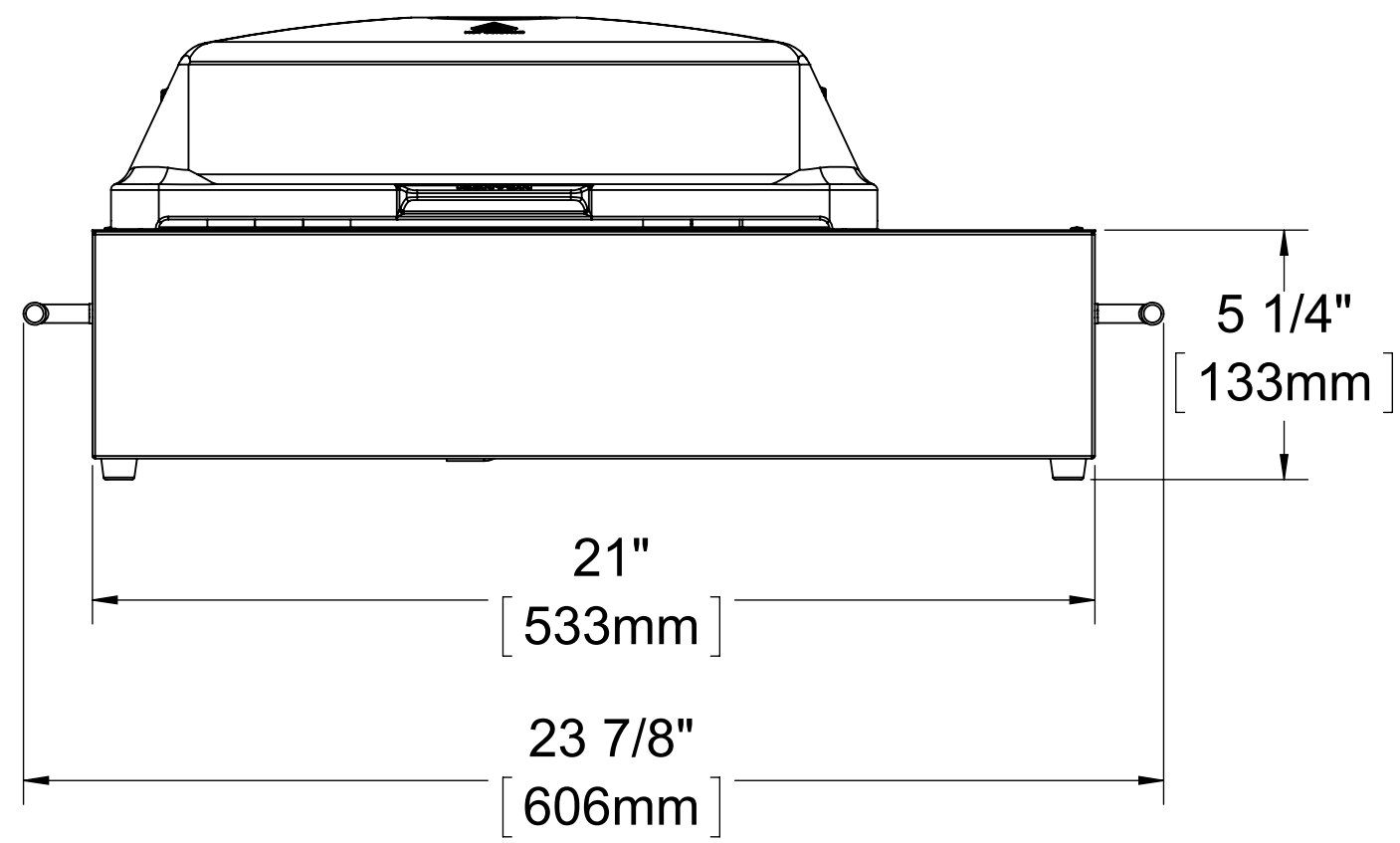


8 7 6 5 4 3 2 1

F
E
D
C
B
A

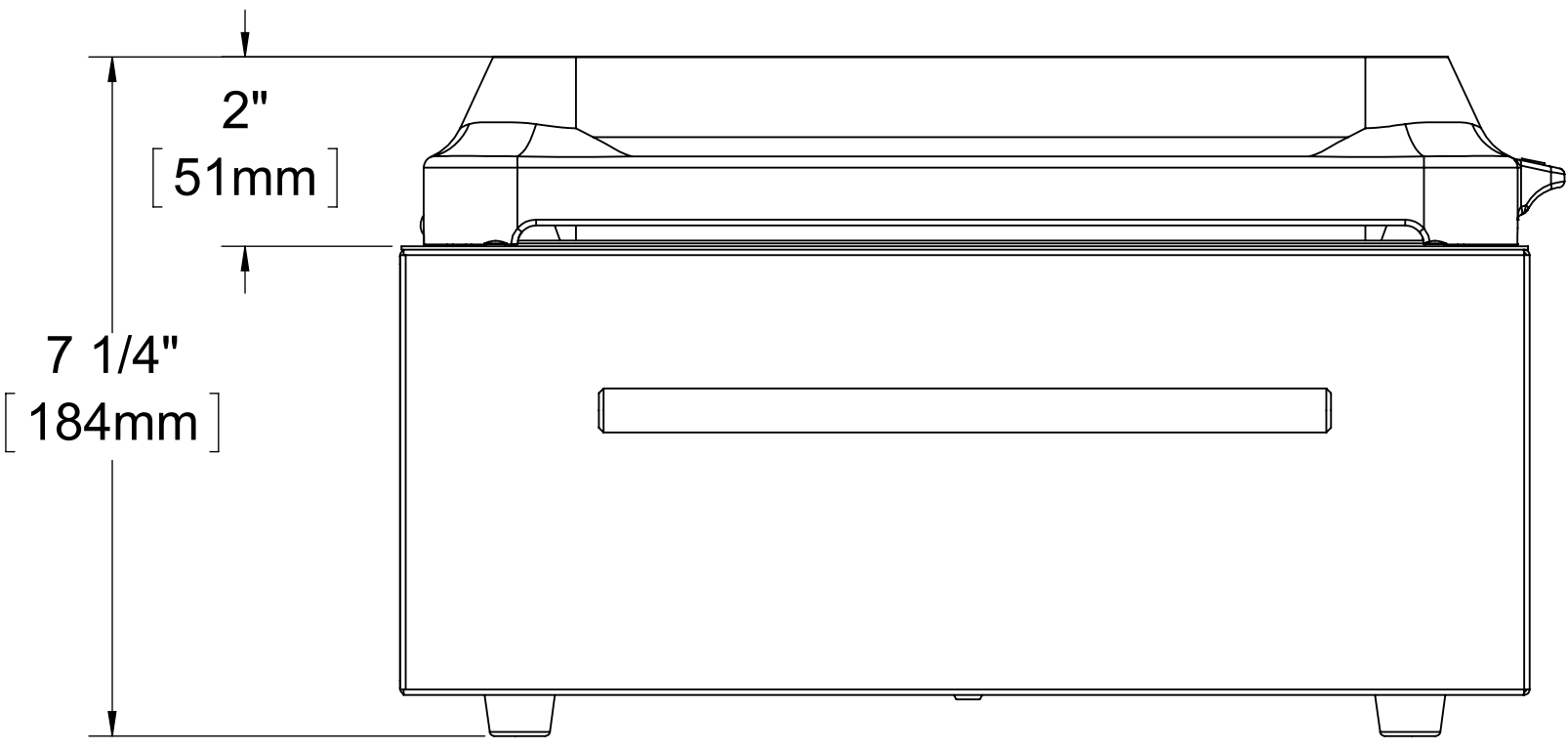
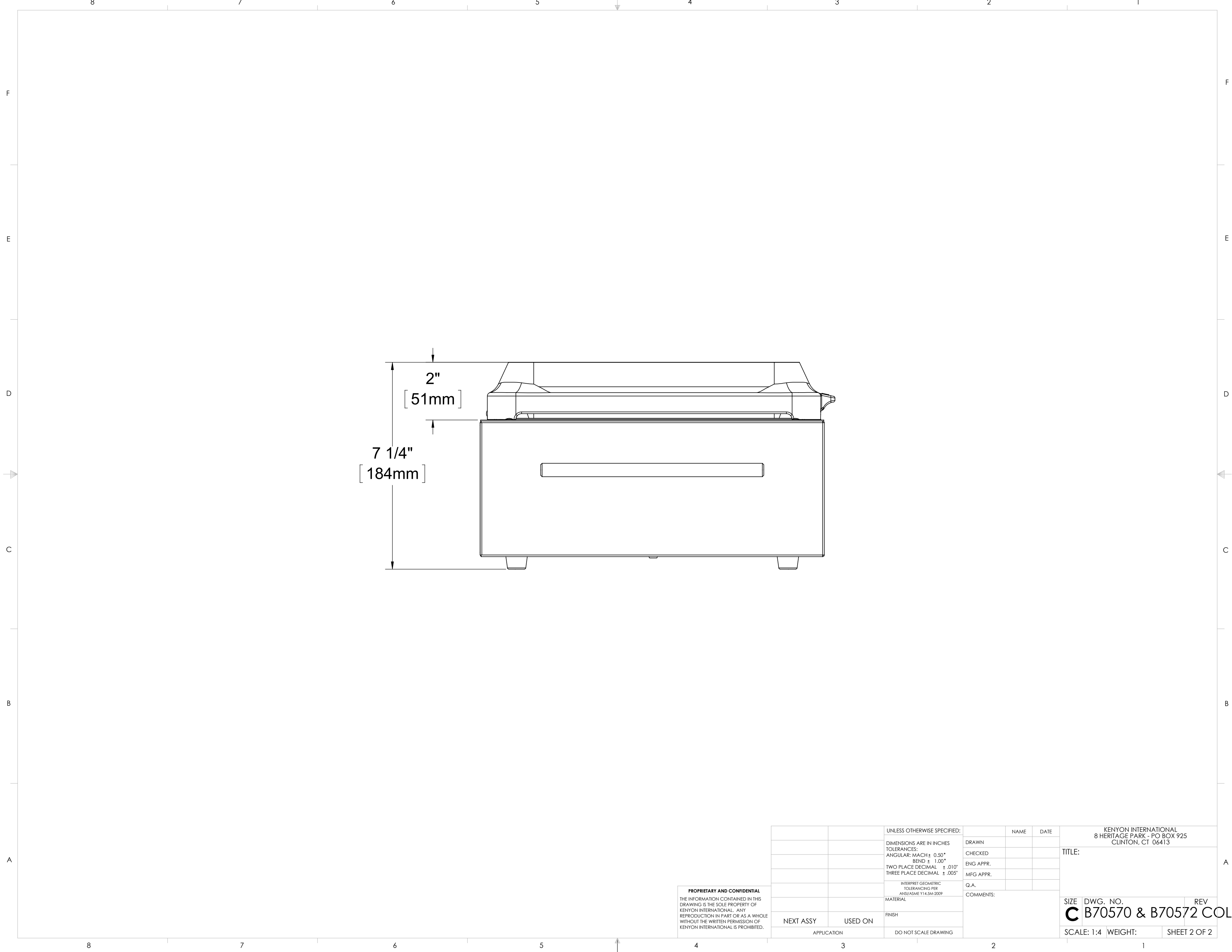


F
E
D
C
B
A

PROPRIETARY AND CONFIDENTIAL
THE INFORMATION CONTAINED IN THIS DRAWING IS THE SOLE PROPERTY OF KENYON INTERNATIONAL. ANY REPRODUCTION IN PART OR AS A WHOLE WITHOUT THE WRITTEN PERMISSION OF KENYON INTERNATIONAL IS PROHIBITED.

UNLESS OTHERWISE SPECIFIED:		NAME	DATE	KENYON INTERNATIONAL 8 HERITAGE PARK - PO BOX 925 CLINTON, CT 06413	
DIMENSIONS ARE IN INCHES		DRAWN	GSP	4/26/18	TITLE: 120V ELECTRIC GRILL SILKEN LID PORTABLE
TOLERANCES: MA CH ± 0.50"		CHECKED			
ANGULAR: MA CH ± 1.00"		ENG APPR.			
BEND ± 1.00"		MFG APPR.			
TWO PLACE DECIMAL ± .010"		Q.A.			SIZE DWG. NO. REV C B70072
THREE PLACE DECIMAL ± .005"		COMMENTS:			
INTERPRET GEOMETRIC TOLERANCING PER ANSI/ASME Y14.5M-2009		APPLICATION		SCALE: 1:1	WEIGHT:
MATERIAL		DO NOT SCALE DRAWING		SHEET 1 OF 2	
FINISH					

8 7 6 5 4 3 2 1



PROPRIETARY AND CONFIDENTIAL
 THE INFORMATION CONTAINED IN THIS DRAWING IS THE SOLE PROPERTY OF KENYON INTERNATIONAL. ANY REPRODUCTION IN PART OR AS A WHOLE WITHOUT THE WRITTEN PERMISSION OF KENYON INTERNATIONAL IS PROHIBITED.

		UNLESS OTHERWISE SPECIFIED:	NAME	DATE
		DIMENSIONS ARE IN INCHES	DRAWN	
		TOLERANCES:	CHECKED	
		ANGULAR: MACH ± 0.50°	ENG APPR.	
		BEND ± 1.00°	MFG APPR.	
		TWO PLACE DECIMAL ± .010"	Q.A.	
		THREE PLACE DECIMAL ± .005"	COMMENTS:	
		INTERPRET GEOMETRIC TOLERANCING PER ANS/ASME Y14.5M-2009		
		MATERIAL		
NEXT ASSY	USED ON	FINISH		
APPLICATION		DO NOT SCALE DRAWING		

KENYON INTERNATIONAL 8 HERITAGE PARK - PO BOX 925 CLINTON, CT 06413		
TITLE:		
SIZE	DWG. NO.	REV
C	B70570 & B70572 COLLA	
SCALE: 1:4	WEIGHT:	SHEET 2 OF 2