

Read me
FIRST

KENYON[®]

Make any day a weekend

LITE-TOUCH Q[®] 2B TOUCH CONTROL OWNERS MANUAL

Part # 143719
Created: October 20, 2010
Revised: July 20, 2021

Table of Contents

Section	Page
Important Safeguards	3
Product Specifications	6
Installation Instructions	
Step # 1 - Unpacking the Cooktop	9
Step # 2 - Checking the Electrical Supply Requirements	10
Step # 3 - Countertop Preparation	11
Step # 4 - Installing the Cooktop	15
Step # 5 - Electrical Connection	16
Step # 6 - Final Preparations Prior to Use	16
Operation of Lite-Touch Q® Cooktop	
Use Good Quality Cookware	17
Lock Mode.....	17
Initial Start-up	18
Controls of Lite-Touch Q® Cooktop	18
Hot Surface Indicator	19
Safety Thermal Cutout	19
Master Off	19
Temperature Setting Guide	19
Cleaning	20
Maintenance	20
Warranty Information	21

IMPORTANT SAFEGUARDS

Please read these instructions in their entirety before installation and use. The following information applies to all KENYON Electric Cooktops.

This cooktop, like all appliances, has the potential to create safety problems through careless and improper use. Please observe all of the following safety precautions.

Proper Installation.

Be sure your appliance is properly installed and grounded by a qualified technician.

Never use your appliance for warming or heating the room.

CAUTION

Do not leave children alone.

Children should never be left alone or unattended in the area where the appliance is in use. They should never be allowed to sit or stand on any part of the appliance. Do not let children play with cooktop. Do not store items of interest to a child in cabinets above the cooktop, children climbing on the cooktop to reach such items could be seriously injured.

Wear proper clothing/apparel.

Loose fitting or hanging garments should never be worn while using the appliance. Fabric or other flammable materials may contact hot surfaces during operation and may ignite and result in personal injury.

User Servicing

Do not repair or replace any part of the appliance. If service ever becomes necessary, this appliance should be serviced by **AUTHORIZED PERSONNEL ONLY**.

Storage in or on Appliance

Flammable materials should not be stored above, under or near surface cooking units.

Keep flammable materials away from cooktop.

Do not store plastic material (such as plastic utensils) in storage areas beneath cooktop.

Plastic items with low melting temperatures should not be stored under/over or near the cooktop.

Do not use water on grease fires.

Smother fire or flame or use dry chemical or foam-type extinguisher.

Use only dry pot holders.

Moist or damp pot holders on hot surfaces may result in burns from steam. Do not let pot holders touch the elements on the appliance. Do not use a towel or other bulky cloth in place of a pot holder.

Do not cook on broken cooktop.

If cooktop should break, cleaning solutions and spillovers may penetrate the broken cooktop and create a risk of electric shock.

Clean cooktop with caution.

Do not clean the cooktop while it is still hot. If a wet sponge or cloth is used to wipe spills on a hot cooking surface, be careful to avoid steam burns. Some cleaners produce noxious fumes if applied to a hot surface. Read the cleaner label for details prior to using.

Use proper pan size.

This appliance is equipped with one or more surface units of different size. Select cookware having flat bottoms large enough to cover the surface unit heating element. The use of undersized utensils will expose a portion of the heating element to direct contact and may result in ignition of clothing. Proper relationship of cookware to burner size will also improve efficiency.

Never leave surface units unattended at high heat settings.

Boilover may cause smoking and greasy spillovers may ignite.

Glazed cooking utensils

Only certain types of glass, glass/ceramic, ceramic, earthenware, or other glazed utensils are suitable for range-top service without breaking due to sudden change in temperature.

Utensil handles should be turned inward and not extend over adjacent surface units.

To reduce the risk of burns, ignition of flammable materials, and spillage due to unintentional contact with the utensil, the handle of a utensil should be positioned so that it is turned inward, and does not extend over adjacent surface units.

Do not use aluminum foil on the surface of the cooktop.

Cookware should always be dry.

Do not heat cookware with excess water droplets on the outside of the pan. The droplets may begin to boil and splatter.

Do not touch surface units or areas near units.

Surface units may be hot even though they are dark in color. Areas near surface may become hot enough to cause burns. During and after use, do not touch, or let clothing or other flammable materials contact surface units or areas near units until they have had sufficient time to cool. Among these areas are the heating elements and surrounding glass surface.

Do not store items on the appliances when not in use.

Items could melt or catch fire from residual heat or if the appliance is turned on inadvertently.

WARNING:

If the surface is cracked, switch off the appliance to avoid the possibility of electric shock.

Metallic objects such as knives, forks, spoons and lids should not be placed on the cooktop/hob surface since they can get hot.

The appliance is not intended to be operated by means of an external timer or separate remote-control system.

Danger of fire: Do not store items on the cooking surfaces.

CAUTION: The cooking process has to be supervised. A short term cooking process has to be supervised continuously.

WARNING: Unattended cooking on a cooktop/hob with fat or oil can be dangerous and may result in a fire.

This appliance is not intended for use by persons (including children) with reduced physical, sensory or mental capabilities, or lack of experience and knowledge, unless they have been given supervision or instruction concerning use of the appliance by a person responsible for their safety.

Children should be supervised to ensure that they do not play with the appliance.

If the supply cord is damaged, it must be replaced by the manufacturer, its service agent or similarly qualified persons in order to avoid a hazard.

DO NOT DISCARD THESE INSTRUCTIONS, KEEP THEM WITH THE KENYON COOKTOP FOR FUTURE REFERENCE.

PRODUCT SPECIFICATIONS

Lite-Touch Q® Series 2-Burner Large Models

B41540 - 120V AC - one 6.5" (165mm) @ 1200 watts
one 8" (200mm) @ 1400 watts

B41549 - 208V AC - one 6.5" (165mm) @ 1200 watts
one 8" (200mm) @ 1800 watts

B41541 - 240V AC - one 6.5" (165mm) @ 1200 watts
one 8" (200mm) @ 1800 watts

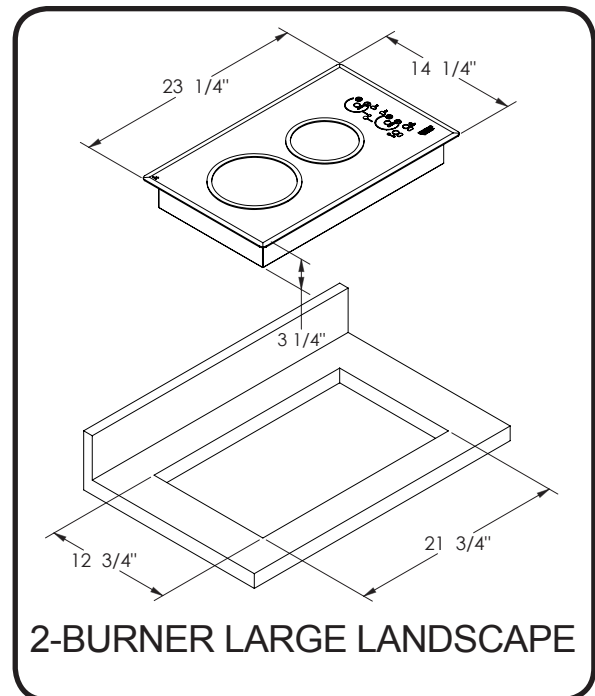
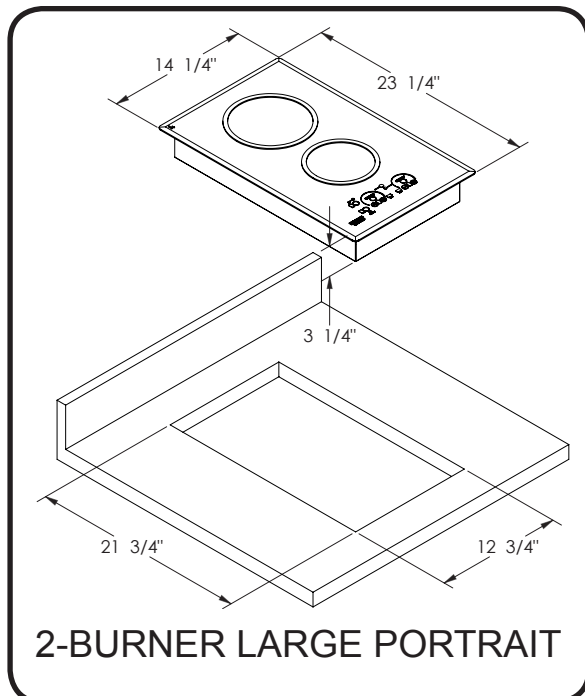
B41540L - 120V AC - one 6.5" (165mm) @ 1200 watts
one 8" (200mm) @ 1400 watts

B41549L - 208V AC - one 6.5" (165mm) @ 1200 watts
one 8" (200mm) @ 1800 watts

B41541L - 240V AC - one 6.5" (165mm) @ 1200 watts
one 8" (200mm) @ 1800 watts

Overall dimensions: 23 1/4" x 14 1/4" x 3 1/4"
591mm x 362mm x 83mm

Cutout dimensions: 21 3/4" x 12 3/4" with 1/4" radius
553mm x 324mm with 6mm radius



Lite-Touch Q® & Lite-Touch Q® Cortez Series 2-Burner Trimline Models

B41575, B41775 & B41775T30 - 120V AC - two 6.5" (165mm) @ 1200 watts

B41579, B41579T30, B41779 & B41779T30 - 208V AC - two 6.5" (165mm) @ 1200 watts

B41576, B41576T30, B41776 & B41776T30 - 240V AC - two 6.5" (165mm) @ 1200 watts

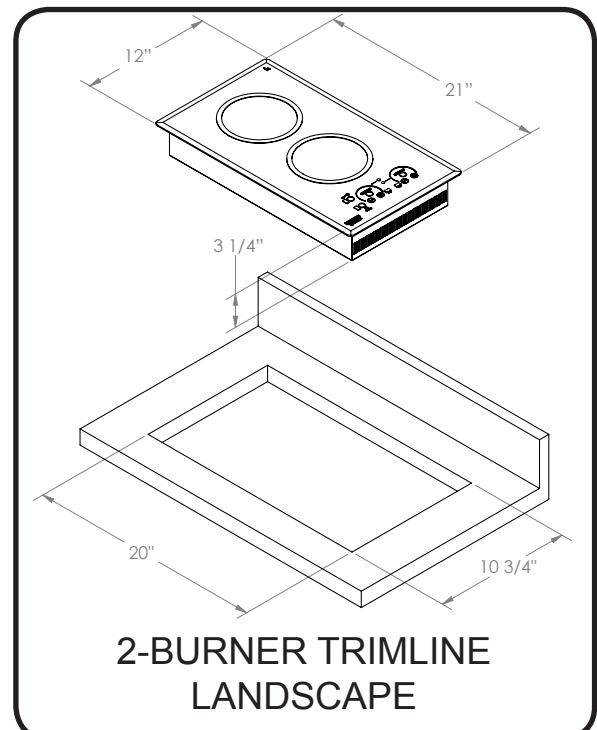
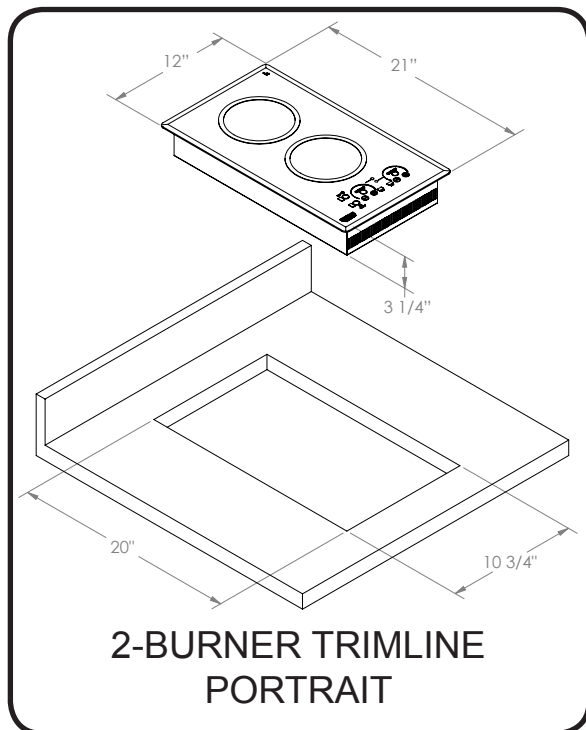
B41575L, B41575LUST30, B41775L & B41775LT30 - 120V AC - two 6.5" (165mm) @ 1200 watts

B41579L, B41579LT30, B41779L & B41779LT30 - 208V AC - two 6.5" (165mm) @ 1200 watts

B41576L, B41576LT30, B41776L & B41776LT30 - 240V AC - two 6.5" (165mm) @ 1200 watts

Overall dimensions: 21" x 12" x 3 1/4"
533mm x 305mm x 83mm

Cutout dimensions: 20" x 10 3/4" with 1/4" radius
508mm x 273mm with 6mm radius



Lite-Touch Q® Glacier Series 2-Burner XL Models

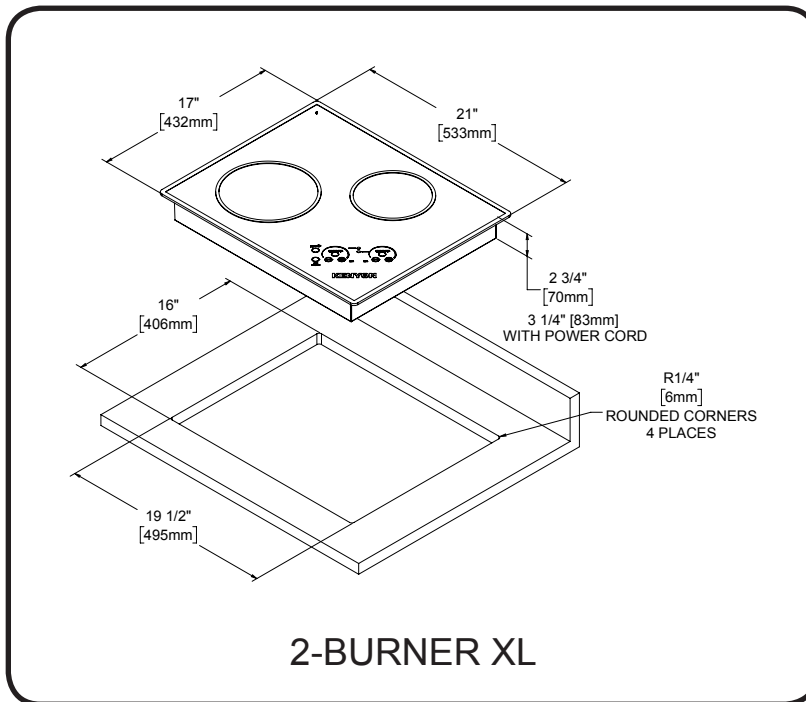
B41796 & B41796T30 - 120V AC - one 6.5" (165mm) @ 1200 watts
one 8" (200mm) @ 1400 watts

B41798 & B41798T30 - 208V AC - one 6.5" (165mm) @ 1200 watts
one 8" (200mm) @ 1800 watts

B41797 & B41797T30 - 240V AC - one 6.5" (165mm) @ 1200 watts
one 8" (200mm) @ 1800 watts

Overall dimensions: 21" x 17" x 3 1/4"
533mm x 432mm x 83mm

Cutout dimensions: 19 1/2" x 16" with 1/4" radius
495mm x 406mm with 6mm radius



INSTALLATION GUIDE



Important: Save this document for review by local inspector.

Important: This appliance must be properly installed and grounded by a qualified technician.

STEP # 1

Unpacking the Cooktop

Carefully unpack the cooktop from its shipping container. If possible, retain the original shipping carton and protective packaging in the event the unit ever has to be returned for service.

Verify and identify the package contents. The following items should be included in the carton. If any components are missing or damaged, call KENYON immediately.

*Lite-Touch Q® Cooktop • (2) Mounting brackets
(1) Package of mounting screws • (1) Ceramic cooktop cleaner*

Lite-Touch Q® Cooktop



Mounting Brackets



Cerama Bryte
Ceramic Cooktop Cleaner



Mounting Screws Package



Important: Do not remove the clear plastic covering film on the ceramic glass until cooktop is ready to be used.

For future reference, please record the serial number of your cooktop here:

STEP #2

Check the Electrical Supply Requirements

This product must be installed in accordance with national, state and local electric codes. The following table provides the correct voltage, amperage and frequency that must be supplied to the cooktop.

Kenyon Part #	Model #	Max Connected Load	Required Power Supply Input	Minimum Wire Size
B41540	Med2QTCP	2600 Watts	120V AC/22A/50/60Hz	#12 AWG
B41549	Med2QTCP	3000 Watts	208V AC/14.5A/50/60Hz	#12 AWG
B41541	Med2QTCP	3000 Watts	240V AC/12.5A/50/60Hz	#12 AWG
B41540L	Med2QTCL	2600 Watts	120V AC/22A/50/60Hz	#12 AWG
B41549L	Med2QTCL	3000 Watts	208V AC/14.5A/50/60Hz	#12 AWG
B41541L	Med2QTCL	3000 Watts	240V AC/12.5A/50/60Hz	#12 AWG
B41575 & B41775	Med2QTCTP	2400 Watts	120V AC/20A/50/60Hz	#12 AWG
B41775T30	Med2QTCTP	2400 Watts	120V AC/20A/50/60Hz	#12 AWG
B41579 & B41779	Med2QTCTP	2400 Watts	208V AC/11.5A/50/60Hz	#12AWG
B41579T30 & B41779T30	Med2QTCTP	2400 Watts	208V AC/11.5A/50/60Hz	#12AWG
B41576 & B41776	Med2QTCTP	2400 Watts	240V AC/10A/50/60Hz	#12 AWG
B41576T30 & B41776T30	Med2QTCTP	2400 Watts	240V AC/10A/50/60Hz	#12 AWG
B41575L & B41775L	Med2QTCTL	2400 Watts	120V AC/20A/50/60Hz	#12 AWG
B41575LUST30	Med2QTCTL	2400 Watts	120V AC/20A/50/60Hz	#12 AWG
B41775LT30	Med2QTCTL	2400 Watts	120V AC/20A/50/60Hz	#12 AWG
B41579L & B41779L	Med2QTCTL	2400 Watts	208V AC/11.5A/50/60Hz	#12 AWG
B41579LT30 & B41779LT30	Med2QTCTL	2400 Watts	208V AC/11.5A/50/60Hz	#12 AWG
B41576L & B41776L	Med2QTCTL	2400 Watts	240V AC/10A/50/60Hz	#12 AWG
B41576LT30 & B41776LT30	Med2QTCTL	2400 Watts	240V AC/10A/50/60Hz	#12 AWG
B41796 & B41796T30	Glacier2TC	2600 Watts	120V AC/22A/50/60Hz	#12AWG
B41798 & B41798T30	Glacier2TC	3000 Watts	208V AC/14.5A/50/60Hz	#12AWG
B41797 & B41797T30	Glacier2TC	3000 Watts	240V AC/12.5A/50/60Hz	#12AWG

The supply must be from an individual grounded circuit that is protected by a circuit breaker and rated per the specifications for the various models as shown in the table above.



Warning: If the electric power supply does not meet the product specifications, consult with a licensed electrician before proceeding with installation.



Warning: FOR ELECTRICAL CONNECTION OF TRIMLINE TOUCH CONTROL COOKTOPS IN CANADA

ELECTRICAL CONNECTION: It is the responsibility of the purchaser to be sure your appliance is properly installed and grounded by a qualified technician. Install per Canadian Electrical Code, CSA Standard C22.1 and local codes and ordinances.

ELECTRICAL REQUIREMENTS: This unit must be connected to a power source with the correct voltage to match the voltage indicated on the data plate of the unit. It must be connected to an individual properly grounded branch circuit protected by a properly sized circuit breaker or fuse.

SIZING OF CIRCUIT BREAKER FOR COOKTOP

For 120VAC 2.4kW units: Connect to 30A circuit breaker or fuse

For 208VAC/240VAC units: Connect to 15A circuit breaker or fuse

Avertissement: POUR LE RACCORDEMENT ÉLECTRIQUE DU TABLEAU DE COMMANDE TRIMLINE DES TABLES DE CUISSON AU CANADA

RACCORDEMENT ÉLECTRIQUE : Il est de la responsabilité de l'acheteur de s'assurer que l'appareil est correctement installé et mis à la terre par un technicien qualifié. Installation selon le Code d'électricité canadien, norme CSA C22.1, et les codes locaux et décrets.

EXIGENCES ÉLECTRIQUES : Cette unité doit être raccordée à une source de courant avec une tension adaptée correspondant à la tension indiquée sur la plaque signalétique de l'unité. Elle doit être connectée à un circuit en dérivation individuel et correctement mis à la terre, protégé par un disjoncteur ou un fusible de la dimension correcte.

DIMENSIONNEMENT DU DISJONCTEUR POUR TABLE DE CUISSON

Pour les unités 120 V c.a. 2,4 kW : Connecter à un disjoncteur ou fusible de 30 A

Pour les unités 208/240 V c.a. : Connecter à un disjoncteur ou fusible de 15 A

STEP #3

Countertop Preparation

Please read this section prior to making cutout for cooktop.

It is important to plan ahead for installation of the cooktop, keeping the following dimensions in mind (please refer to Figure A).

- A - 13 inches maximum depth of overhead cabinets
- B - 36 inches is minimum height of countertop above floor
- C - The minimum flat countertop surface that the cooktop will rest upon must be equal to or greater than the overall cooktop dimensions (refer to the following page for overall cooktop dimensions).
- D - 30 inches minimum clearance between the top of the cooking surface and the bottom of an unprotected wood or metal cabinet or 24 inch minimum clearance when the bottom of the wood or metal cabinet is protected by not less than 1/4-inch-thick flame retardant millboard covered with not less than No. 28 MSG sheet steel, 0.015-inch-thick stainless steel, 0.024-inch-thick aluminum or 0.020-inch-thick-copper.
- E - 1-inch minimum from backsplash of countertop to edge of glass (refer to the following page for overall cooktop dimensions).

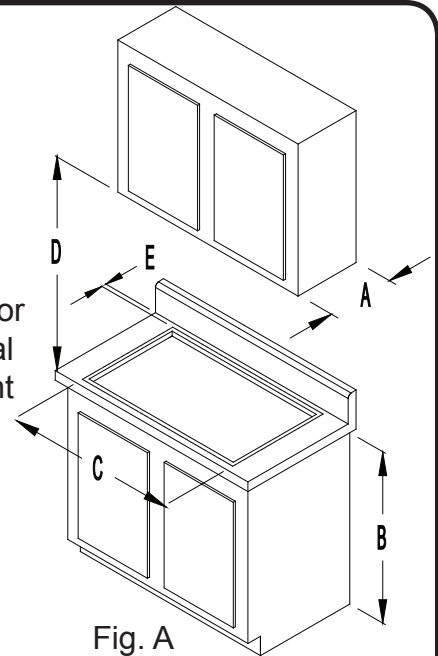


Fig. A

FOR INSTALLATIONS IN CANADA: “Do Not Install Closer Than 1/2 Inch (12mm) From Any Adjacent Surface”, and **NE PAS INSTALLER A’MDINS DE 12MM DETOUTE SURFACE ADJACENTE.**



Warning: To eliminate the risk of burns by reaching over heated surface units, cabinet storage space located above surface units should be avoided. If cabinet storage is to be provided, the risk can be reduced by installing a range hood that projects horizontally a minimum of 5” beyond the bottom of the cabinets.

Before making the countertop cutout, check for clearance. Check to see if the cooktop will clear the front and side walls of the base cabinet. It is also important to provide enough ventilation.

Adequate ventilation of the space below the countertop must be provided to ensure proper operation of the cooktop. Heat transferred from the cooktop bottom pan during operation will overheat an improperly ventilated area.

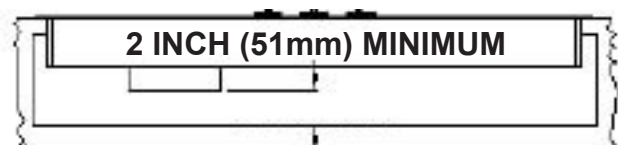
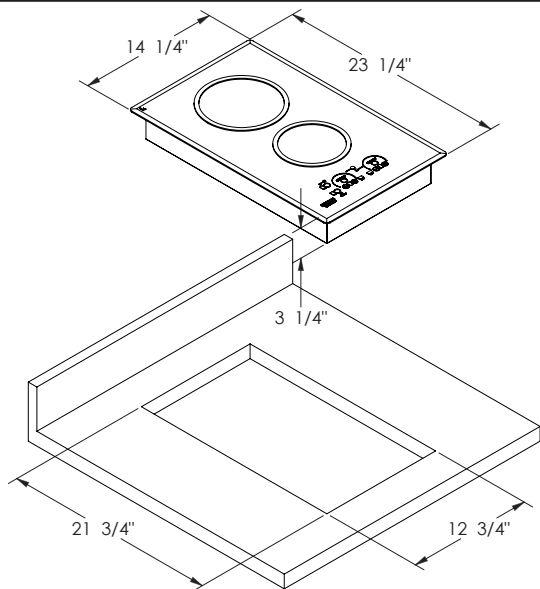


Fig. B

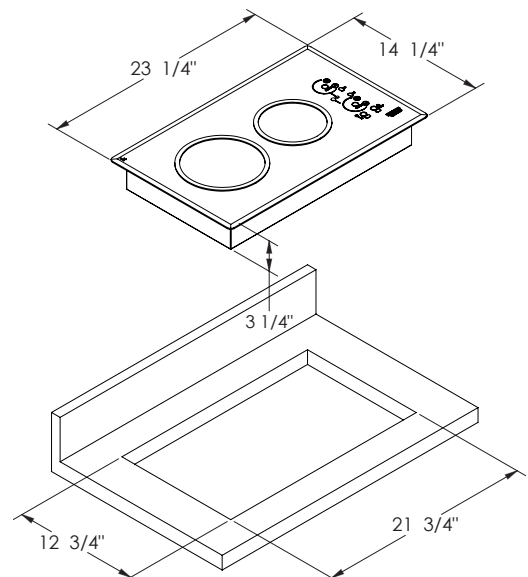
Allow a 2” minimum clearance between the bottom of the metal pan of the cooktop and any combustible surface located below, ie: the upper edge of a drawer installed below the cooktop (see Fig. B). Failure to provide proper clearance and ventilation may result in a fire hazard.

Since the appliance requires a sufficient supply of fresh air to operate at maximum performance, the cabinet must be designed accordingly. The following is required for this:

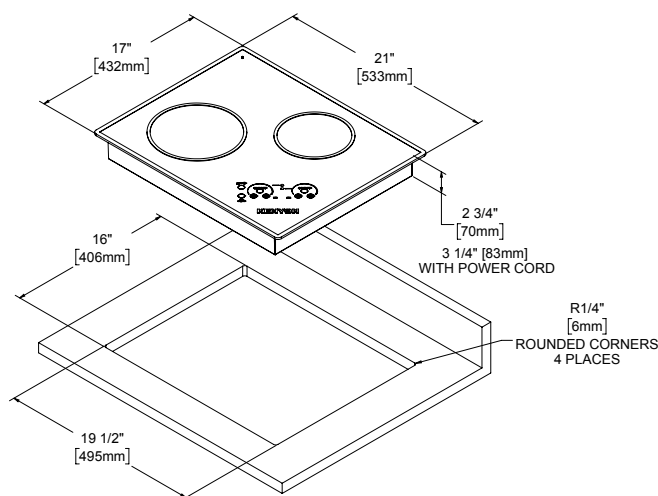
- The cabinet must have a minimum of two openings; one to allow fresh air to enter and the other for hot air to escape the cabinet.
- Opening sizes must be equal to 8 square inches each. This is for ambient temperatures of 85°F / 30°C and below. If the ambient temperature around the appliance is above 85°F / 30°C then larger ventilation opening sizes may be required.



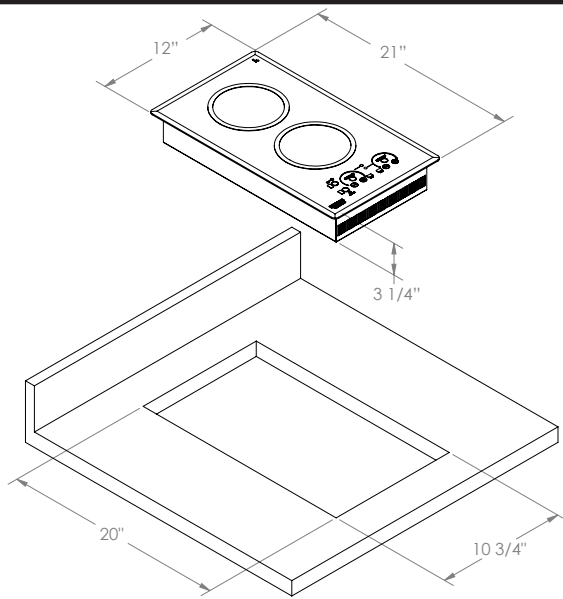
**COUNTERTOP CUTOUT DIMENSIONS
2-BURNER LARGE PORTRAIT**



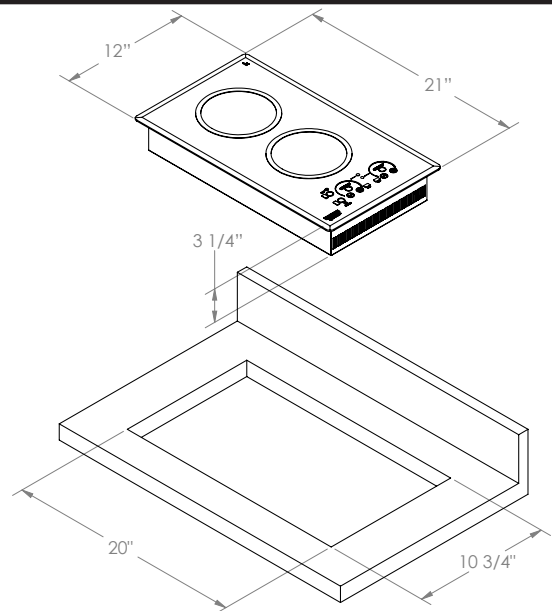
**COUNTERTOP CUTOUT DIMENSIONS
2-BURNER LARGE LANDSCAPE**



**COUNTERTOP CUTOUT DIMENSIONS
2 BURNER XL**



**COUNTERTOP CUTOUT DIMENSIONS
2 BURNER TRIMLINE PORTRAIT**



**COUNTERTOP CUTOUT DIMENSIONS
2 BURNER TRIMLINE LANDSCAPE**

NOTE:

When making countertop cutout, **radius** the corner of the cutout (1/4" radius is typical). This will prevent cracking of the countertop. Follow the countertop manufacturer's instructions regarding the minimum corner radius and reinforcement of corners.

STEP #4

Installing the Cooktop

The cooktop is supplied with two metal mounting brackets. These brackets are designed to hold the cooktop firmly in place. The cooktop does not have a metal frame and should be sealed to the countertop. **Use a soft bedding compound that will prevent damage if later removal for service is necessary. We recommend a nonadhesive type of sealant, such as plumber's putty, maximum compressed thickness of 1/16".** Silicone may be used to seal the glass edge only, if desired.

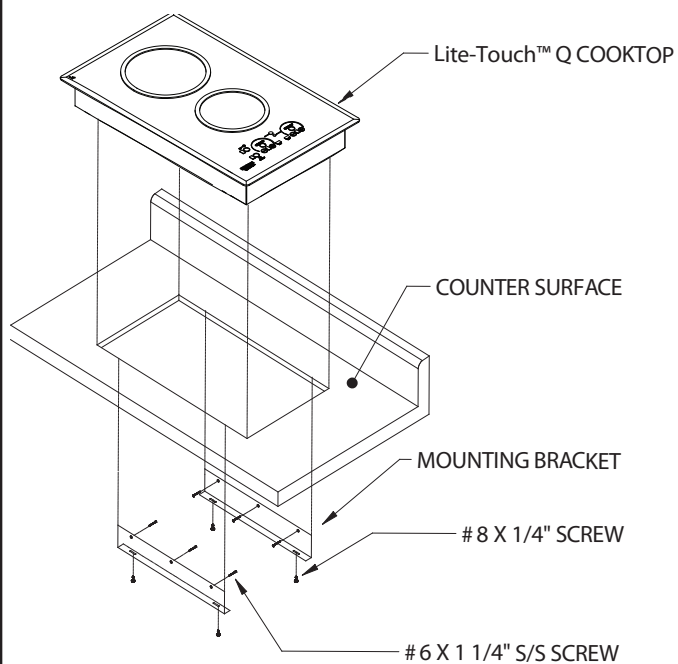
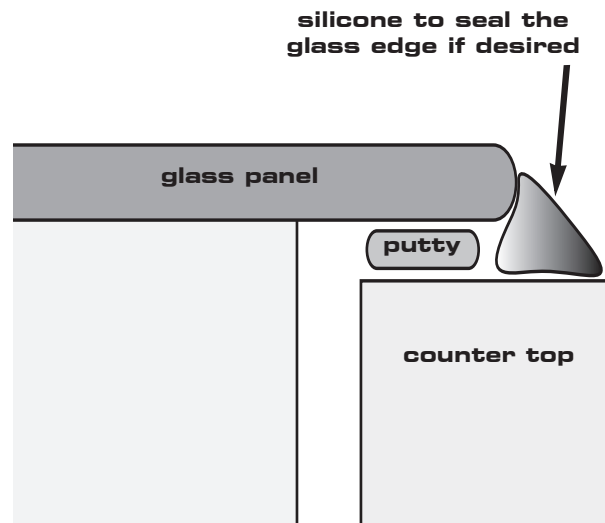


Fig. C

Attach the two mounting brackets as shown (see Fig. C) to the inside vertical surface of the cutout. The brackets are to be mounted on opposing sides. Center the bracket in the opening, **flush with the countertop** and secure with #6 self-tapping screws that are provided. Position the cooktop in the cutout opening and press firmly on all sides to seal the glass into the bedding compound. Secure the cooktop to the brackets from underneath with the small sheet metal screws that are supplied.

BE CAREFUL NOT TO OVERTIGHTEN THE SCREWS..

STEP #5

Electrical Connection

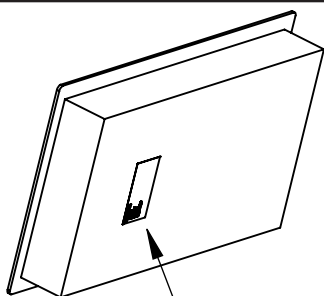
Before proceeding further, verify that the power supply is disconnected. Verify that the appropriate electrical supply requirements have been met. Please refer to the table on page 10 for appropriate electrical requirements. The cooktop is supplied with a 36-inch long conduit for a connection to an accessible junction box. The 240V and 208V conduit consists of three insulated wires. There are two insulated hot lead conductors (red and black) and one insulated ground conductor (green). The 120V conduit consists of three insulated wires. There is the hot lead conductor (black), the neutral conductor (white) and one insulated ground conductor (green).

Attach conductor wires to residence wiring in accordance with national, state and local electric codes.



Warning - Grounding

The entire appliance must be grounded at all times when the electrical power supply is on. Do not ground the appliance with the neutral house supply wire (white). A separate ground must be used.



Name Plate
Label Location

STEP #6

Final Preparations Prior to Use

Remove the plastic film from the cooktop. Clean the cooktop before you use it for the first time. A thorough cleaning with a recommended cooktop cleaner (***Cerama Bryte Ceramic Cooktop Cleaner***) will provide a clean, shiny coating on the cooktop surface.

The next section of the manual covers cooktop use, maintenance and service information.

Please keep these instructions with the KENYON cooktop for future reference.

OPERATION

READ SAFETY INSTRUCTIONS BEFORE OPERATING YOUR APPLIANCE

The cooking surface and control areas of your Lite-Touch Q® cooktop are identified by permanent patterns in the cooktop. The appliance is easy to maintain and easy to clean. Keeping the cooktop in top performance can be achieved by following the simple guidelines for use and cleaning below:

USE GOOD QUALITY COOKWARE

Since cookware plays an important role in cooking efficiency and convenience, keep in mind the following information when selecting your cookware.

Avoid pans with shaped and rounded bottoms as this inhibits the pan or pot in cooking evenly. The best quality pans and pots to use are the multi-ply stainless steel type. Kenyon sells such pots and pans called StackEN™. They come with a lifetime guarantee and are made in the USA. These pans and pots work exceptionally well on induction cooktops as well as radiant glass top stoves.

Use cookware of the correct diameter only. The base of the pot or pan should be about the same size as the cooking zone on which it is used – not much wider and not much smaller. By using utensils with the correct diameter, you should achieve maximum heating efficiency with the shortest possible cooking time.

Be certain that both the cooktop glass panel and the bottom of your pots and pans are clean and dry before use. By doing so, you will help prevent scratches and stains on your cooktop glass panel.

LOCK MODE

1. In lock mode the heat setting cannot be raised, but can be lowered and the off function for both elements and master power will still function for safety reasons. A light next to the “key” graphic will indicate that the cooktop is locked and will remain illuminated while lock is activated. Refer to figure D on Page 18.

2. To lock the cooktop, place finger on the circular area next to the key graphic and hold for 3 seconds. An audible beep will be heard and the light next to the key graphic will illuminate. The cooktop is now locked.

3. To unlock the cooktop, touch the circular area next to the key graphic and hold for 3 seconds. An audible beep will be heard and the light next to the key graphic will go out. The cooktop is now unlocked and all functions operate.

4. Lock mode is independent of all other functions and can be activated at any time, even if the cooktop is in standby mode. Standby mode is when power is available to the cooktop but the master power button is not activated.

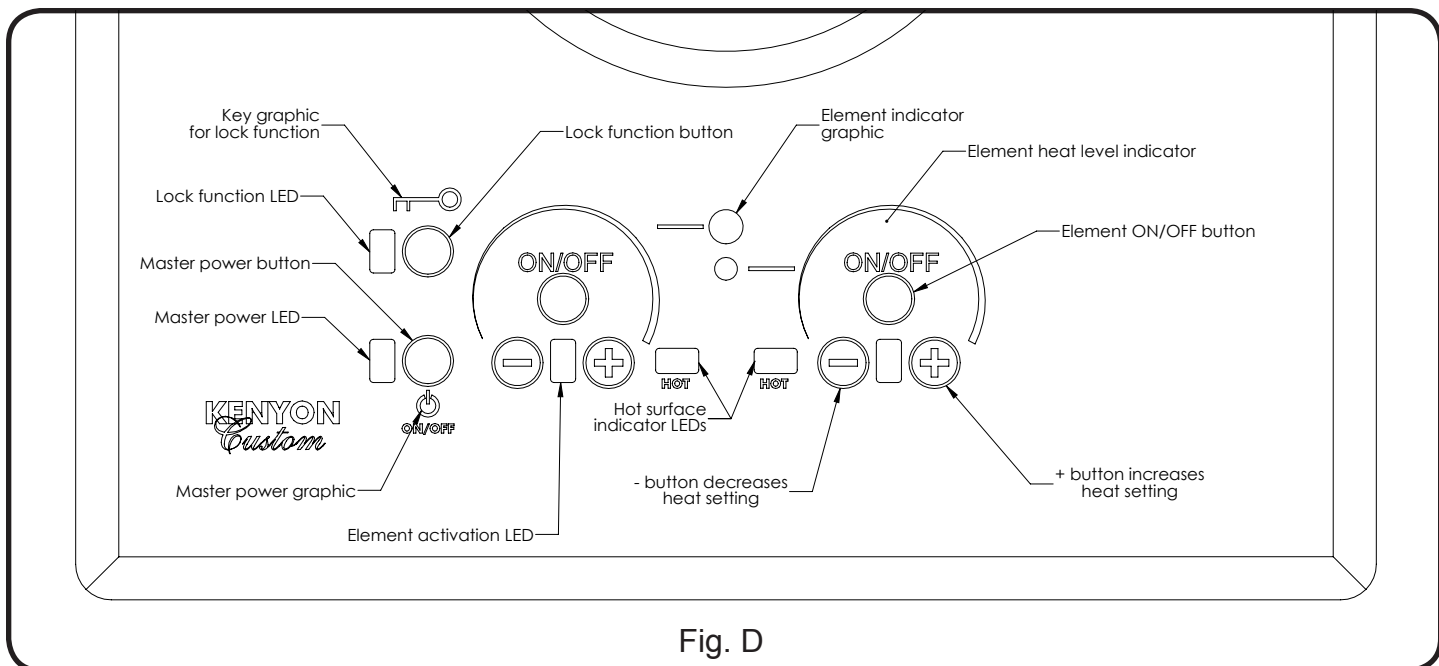


Fig. D

INITIAL START-UP

The cooktop is designed with a 2 step ON, and 1 step OFF for safety reasons, requiring at least 2 different touches of the controls to activate an element, but only one touch to deactivate an element or the entire unit.

Clean the cooktop before you use it for the first time. A thorough cleaning with our recommended cooktop cleaner (**Cerama Bryte Ceramic Cooktop Cleaner**) will provide a coating on the cooktop prior to its first use. A sample is included with your Kenyon cooktop. The cooktop surface should be free of any foreign substances before use.

CONTROLS OF LITE-TOUCH Q® COOKTOP

To activate a heating element, first the master power must be turned on by placing and holding a finger over the circular area next to the master power graphic. An audible beep will be heard and a light next to the master power graphic will illuminate. Then the desired element must be turned on, by placing a finger over the circular area marked ON/OFF for that element. The same beep will sound and a light will illuminate. Then the heat level is chosen, by holding a finger over the circular areas marked with + or -. Touching the + first will incrementally set the heat level from settings 1 thru 8 with a beep and corresponding number of lights illuminated. Touching the - first will incrementally set the level from settings 8 thru 1 with a beep and corresponding number of lights illuminated. When the desired heat level is reached the finger is removed and the cooktop remains at that heat level. If an element is activated, but no heat level chosen, the element will automatically turn off in 10 seconds.

To change the heat level place finger on + or - graphic of desired element to change heat level incrementally up or down.

To deactivate an element, touch circular area marked ON/OFF to turn the element off. Also the master power ON/OFF can be touched and the entire cooktop will be deactivated.

HOT SURFACE INDICATOR

A hot surface indicator light will illuminate when an element is energized and has been activated for enough time to produce unsafe to touch temperatures of the cooking surface. The light will remain illuminated until the surface is cool.

SAFETY THERMAL CUTOUT

Another safety feature of the Lite-Touch Q® cooktop is the thermal cutout. If the temperature of an element reaches unsafe levels, the thermal cutout will open and power to that element will be turned off. This is an important safety feature designed to reduce the risk of runaway temperatures and possible risk of fire if a pot is boiled dry or unintentionally put on the cooktop empty. When the element has cooled to a safe temperature the power will be restored automatically.

MASTER OFF

To power off both elements simultaneously, touch the circular area next to the master power ON/OFF graphic. Refer to figure D on page 18. This can be done without deactivation of the elements if any are in operation, and is an important safety feature allowing the user a “one touch off” in case of emergencies. All functions will no longer operate until the master power is turned on again.

TEMPERATURE SETTING GUIDE

SETTING	USES
1 Bar	Melting butter and chocolate Heating delicate sauces Warming food
2 Bars	Simmering sauces Steaming rice Melting large quantities
3-5 Bars	Steaming vegetables Heating soups, puddings and milk Simmering Frying
5-7 Bars	Sauteing Quick frying Browning Fast boiling of large quantities
8 Bars	Boiling water Heating soups Deep frying

CLEANING

To help ensure that the KENYON cooktop stays clean, follow these easy-care tips:

Lock the cooktop before cleaning by touching and holding the key symbol for 3 seconds.

Always remove food spills, grease spatters and metal rub-off from cookware. A razor blade scraper or the equivalent works well to remove spillovers.

Clean the cooktop with a paper towel or a clean, soft cloth and a recommended cleaner. After cleaning, always wipe the cooktop with a clean, damp cloth to avoid cooked-on cleaner residue. Wipe the cooktop dry.

Do not use a dish towel or sponge to wipe off the cooktop as a film may be left by the detergent and may cause discoloration of the cooktop surface.

Avoid abrasive scouring cleaners of any kind. Also avoid using plastic, nylon or metal cleaning pads. They may scratch or melt onto the cooktop.

Avoid chemical cleaners such as chlorine bleach, ammonia, hydrofluoric acid or chemical oven cleaners. They can etch or discolor the surface.

Do not let anything that melts - plastic, aluminum foil, sugar, etc. come into contact with the cooktop surface when it is hot. Should something melt onto the surface, *immediately* move it to a cool area of the cooktop with a razor blade scraper and then remove it from the cooktop as soon as possible.

Lite-Touch Q® Maintenance

The Kenyon cooktop is a sealed unit that does not require regular maintenance. Please follow our operating instructions as mentioned above. If your Lite-Touch Q® requires service, this must be preformed by **Authorized Personnel only**.



IMPORTANT!

Do not store items on the appliance when not in use. Items could melt or catch fire from residual heat or if the appliance is turned on inadvertently.

Kenyon International, Inc (the "Company") warrants its products in normal usage to be free of defects in materials and workmanship subject to the conditions and limitations below. Any part, which proves to be defective in normal usage during the warranty period will be repaired or replaced by the Company.

This warranty covers certain products built by the Company and is subject to the following conditions and limitations:

1. The Company's liability shall be limited to repair or replacement (choice of remedy at Company's option) of electronic components as may be defective in materials or workmanship. This liability is limited to three years from the date of original installation or 42 months from invoice date, whichever comes first; this warranty covers parts and labor at pre-approved rates. Stainless steel is warranted with a lifetime guarantee to be rust free when cared for monthly as outlined in owner's manual. If corrosion begins, contact the Company with photo evidence of corrosion for replacement components.
2. Determination of suitability of the product for the use contemplated by the Buyer is the sole responsibility of the Buyer and the Company shall have no responsibility in connection with such suitability.
3. The Company shall not be liable for any damage resulting from:
 - failures due to use of the product in applications for which they are not intended;
 - failures due to corrosion, wear and tear, abuse, neglect, improper installation or maintenance;
 - failures due to breakage of glass, accidental or otherwise.
4. The Company shall be responsible for ground shipping charges to the location of the appliance (home) within the Continental United States and Canada. Any duties, express or special shipping charges are at the expense of the Buyer.
5. All labor allowed by the Company under this warranty must be pre-authorized and performed by an Authorized Kenyon International Service Center, unless otherwise specified in writing by the Company.

THERE ARE NO OTHER WARRANTIES OF MERCHANTABILITY, FITNESS FOR PURPOSE OR ANY OTHER KIND, EXPRESSED OR IMPLIED AND NONE SHALL BE IMPLIED BY LAW. The duration of any such warranties that are nevertheless implied by law for the benefit of a consumer, shall be limited to a period of three years from original purchase by the user. Some countries do not allow limitations on how long an implied warranty lasts, so this limitation may not apply to you.

THE COMPANY SHALL NOT BE LIABLE FOR CONSEQUENTIAL OR INCIDENTAL DAMAGES ARISING FROM THE BREACH OF THIS WARRANTY, WHETHER EXPRESSED, IMPLIED OR STATUTORY. Some countries or states do not allow exclusion or limitation of consequential or incidental damages so this limitation or exclusion may not apply to you.

THIS WARRANTY GIVES YOU SPECIFIC LEGAL RIGHTS AND YOU MAY ALSO HAVE OTHER LEGAL RIGHTS THAT MAY VARY FROM COUNTRY TO COUNTRY AND STATE TO STATE.