



Read me
FIRST

KENYON®

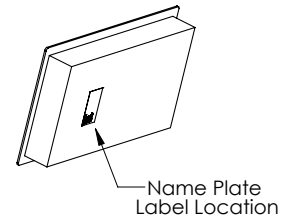
Make any day a weekend

CERAMIC GLASS COOKTOPS
OWNERS MANUAL

 E194413
Part #143117
Created: 10/9/2009
Revised: 10/27/2020

**PLEASE READ THESE INSTRUCTIONS IN THEIR
ENTIRETY BEFORE INSTALLATION AND USE OF APPLIANCE.
DO NOT DISCARD THIS MANUAL!
SAVE FOR FUTURE REFERENCE.**

For future reference, please record the serial number of your
cooktop here: _____.



PRODUCT SPECIFICATIONS

XL Two Burner: Arctic, Antarctic & Glacier

B41603, B49512 & B41706 - 120V AC - one 6 1/2" (165mm) burner @ 1200 watts
one 8" (200mm) burner @ 1400 watts

B41604, B49513 & B41707 - 240V AC - one 6 1/2" (165mm) burner @ 1200 watts
one 8" (200mm) burner @ 1800 watts

B41694, B49593 & B41794 - 208V AC - one 6 1/2" (165mm) burner @ 1200 watts
one 8" (200mm) burner @ 1800 watts

Overall dimensions: 21" x 17" x 3-1/4"
533.4mm x 431.8mm x 82.6mm

Cutout dimensions: 19-1/2" x 16" with 1/4" radius
495.3mm x 406.4mm with 6.4 radius

Two Burner: Mediterranean & Alpine

B41510 & B49510 - 120V AC - one 6 1/2" (165mm) burner @ 1200 watts
one 8" (200mm) burner @ 1400 watts

B41511 & B49511 - 240V AC - one 6 1/2" (165mm) burner @ 1200 watts
one 8" (200mm) burner @ 1800 watts

B41591 & B49591 - 208V AC - one 6 1/2" (165mm) burner @ 1200 watts
one 8" (200mm) burner @ 1800 watts

Overall dimensions: 23-1/4" x 14-1/4" x 3-1/4"
590.6mm x 362.0mm x 82.6mm

Cutout dimensions: 21-3/4" x 12-3/4" with 1/4" radius
552.5mm x 323.9mm with 6.4 radius

Two Burner Trimline: Mediterranean, Alpine, Caribbean & Cortez

B41515, B49515, B41601 & B41710 - 120V AC - two 6 1/2" (165mm) burners @ 1200 watts each

B41516, B49516, B41602 & B41711 - 240V AC - two 6 1/2" (165mm) burners @ 1200 watts each

B41596, B49596, B41692 & B41719 - 208V AC - two 6 1/2" (165mm) burners @ 1200 watts each

Overall dimensions: 21" x 12" x 3-1/4"
533.4mm x 304.8mm x 82.6mm

Cutout dimensions: 20" x 10-3/4" with 1/4" radius
508mm x 273mm with 6.4 radius

Single Burner: Mediterranean, Alpine, Caribbean & Cortez

B41517, B49517, B41605 & B41704 - 120V AC - one 6 1/2" (165mm) burner @ 1200 watts

B41518, B49518, B41606 & B41705 - 240V AC - one 6 1/2" (165mm) burner @ 1200 watts

B41598, B49598, B41696 & B41709 - 208V AC - one 6 1/2" (165mm) burner @ 1200 watts

Overall dimensions: 12" x 12-1/2" x 3-1/4"
304.8mm x 317.5mm x 82.6mm

Cutout dimensions: 10-3/4" x 11-1/2" with 1/4" radius
273.0mm x 292.1mm with 6.4 radius

**INSTALLATION INSTRUCTIONS FOR KENYON
CERAMIC GLASS COOKTOPS**



Important: Save this documentation for review by local inspector.

Important: This appliance must be properly installed and grounded by a qualified technician.

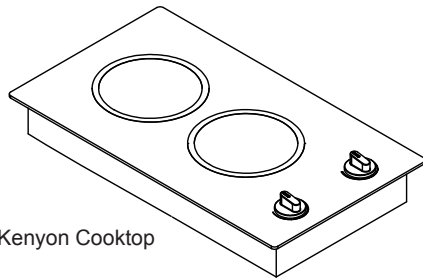
STEP #1

Unpacking the Cooktop

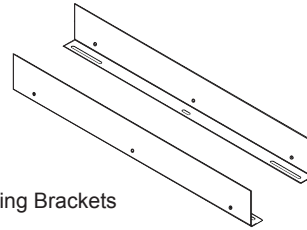
Carefully unpack the cooktop from its shipping container. If possible, retain the original shipping carton and protective packaging in the event the unit ever has to be returned for service.

Verify and identify the package contents. The following items should be included in the carton. If any components are missing or damaged, call KENYON immediately.

*Ceramic glass cooktop • (2) Mounting brackets
(1) Package of mounting screws • (1) Ceramic cooktop cleaner*



Kenyon Cooktop



Mounting Brackets



Cerama Bryte
Ceramic Cooktop Cleaner



Mounting Screws Package



Important: Do not remove the clear plastic covering film on the ceramic glass until cooktop is ready to use.

STEP #2

Check the Electrical Supply Requirements

This product must be installed in accordance with national, state and local electric codes. The following table provides the correct voltage, amperage and frequency that must be supplied to the cooktop.

Kenyon Part #	Model #	Max Connected Load	Required Power Supply Input	Minimum Wire Size
B41510	MED2	2600 Watts	120 VAC/22A/60Hz	#12 AWG
B41511	MED2	3000 Watts	240 VAC/12.5A/60Hz	#12 AWG
B41591	MED2	3000 Watts	208 VAC/14.5A/60Hz	#12 AWG
B41515	MED2TL	2400 Watts	120 VAC/20A/60Hz	#12 AWG
B41516	MED2TL	2400 Watts	240 VAC/10A/60Hz	#12 AWG
B41596	MED2TL	2400 Watts	208 VAC/11.5A/60Hz	#12 AWG
B41517	MED1	1200 Watts	120 VAC/10A/60Hz	#12 AWG
B41518	MED1	1200 Watts	240 VAC/5A/60Hz	#12 AWG
B41598	MED1	1200 Watts	208 VAC/6A/60Hz	#12 AWG
B41601	CAR2	2400 Watts	120 VAC/20A/60Hz	#12 AWG
B41602	CAR2	2400 Watts	240 VAC/10A/60Hz	#12 AWG
B41692	CAR2	2400 Watts	208 VAC/11.5A/60Hz	#12 AWG
B41603	ARCTIC2	2600 Watts	120 VAC/22A/60Hz	#12 AWG
B41604	ARCTIC2	3000 Watts	240 VAC/12.5A/60Hz	#12 AWG
B41694	ARCTIC2	3000 Watts	208 VAC/14.5A/60Hz	#12 AWG
B41605	CAR1	1200 Watts	120 VAC/10A/60Hz	#12 AWG
B41606	CAR1	1200 Watts	240 VAC/5A/60Hz	#12 AWG
B41696	CAR1	1200 Watts	208 VAC/6A/60Hz	#12 AWG
B41710	CORT2	2400 Watts	120 VAC/20A/60Hz	#12 AWG
B41711	CORT2	2400 Watts	240 VAC/10A/60Hz	#12 AWG
B41719	CORT2	2400 Watts	208 VAC/11.5A/60Hz	#12 AWG
B41704	CORT1	1200 Watts	120 VAC/10A/60Hz	#12 AWG
B41705	CORT1	1200 Watts	240 VAC/5A/60Hz	#12 AWG
B41709	CORT1	1200 Watts	208 VAC/6A/60Hz	#12 AWG
B49510	ALP2LG	2600 Watts	120 VAC/22A/60 Hz	#12 AWG
B49511	ALP2LG	3000 Watts	240 VAC/12.5A/60Hz	#12 AWG
B49591	ALP2LG	3000 Watts	208 VAC/11.5A/60Hz	#12 AWG
B49512	ANTARCTIC2	2600 Watts	120 VAC/22A/60Hz	#12 AWG
B49513	ANTARCTIC2	3000 Watts	240 VAC/12.5A/60Hz	#12 AWG
B49593	ANTARCTIC2	3000 Watts	208 VAC/14.5A/60Hz	#12 AWG
B49515	ALP2SM	2400 Watts	120 VAC/20A/60Hz	#12 AWG
B49516	ALP2SM	2400 Watts	240 VAC/10A/60Hz	#12 AWG
B49596	ALP2SM	2400 Watts	208 VAC/6A/60Hz	#12 AWG
B49517	ALP1	1200 Watts	120 VAC/10A/60Hz	#12 AWG
B49518	ALP1	1200 Watts	240 VAC/10A/60Hz	#12 AWG
B49598	ALP1	1200 Watts	208 VAC/11.5A/60Hz	#12 AWG
B41706	GLACIER2	2600 Watts	120 VAC/22A/60Hz	#12 AWG
B41707	GLACIER2	3000 Watts	240 VAC/12.5A/60Hz	#12 AWG
B41794	GLACIER2	3000 Watts	208 VAC/14.5A/60Hz	#12 AWG

The supply must be from an individual grounded circuit that is protected by a circuit breaker and rated per the specifications for the various models as shown in the table above.



Warning: If the electric power supply does not meet the product specifications, consult with a licensed electrician before proceeding with installation.

STEP #3

Countertop Preparation

Please read this section prior to making cutout for cooktop.

It is important to plan ahead for installation of the cooktop, keeping the following dimensions in mind (please refer to Figure A).

- A - 13 inches maximum depth of overhead cabinets
- B - 36 inches is minimum height of countertop above floor
- C - The minimum flat countertop surface that the cooktop will rest upon must be equal to or greater than the overall cooktop dimensions (refer to the following page for overall cooktop dimensions).
- D - 30 inches minimum clearance between the top of the cooking surface and the bottom of an unprotected wood or metal cabinet or 24 inch minimum clearance when the bottom of wood or metal cabinet is protected by not less than 1/4-inch-thick flame retardant millboard covered with not less than No. 28 MSG sheet steel, 0.015-inch-thick stainless steel, 0.024-inch-thick aluminum or 0.020-inch-thick-copper.
- E - 1-inch minimum from backsplash of countertop to edge of glass (refer to the following page for overall cooktop dimensions).

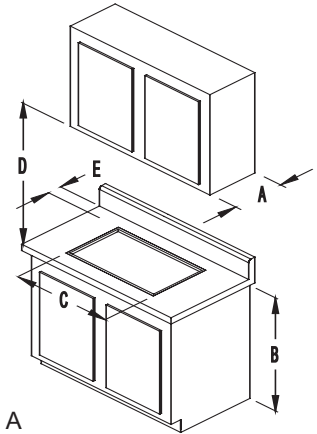


Fig. A

“Do Not Install Closer Than 1/2 Inch (12 mm) From Any Adjacent Surface”,
and **NE PAS INSTALLER A’MDINS DE 12MM DETOUTE SURFACE
ADJACENTE.**



Warning: To eliminate the risk of burns by reaching over heated surface units, cabinet storage space located above surface units should be avoided. If cabinet storage is to be provided, the risk can be reduced by installing a range hood that projects horizontally a minimum of 5” beyond the bottom of the cabinets.

Before making the countertop cutout, check for clearance. Check to see if the cooktop will clear the front and side walls of the base cabinet. It is also important to provide enough ventilation.

Adequate ventilation of the space below the countertop must be provided to ensure proper operation of the cooktop. Heat transferred from the cooktop bottom pan during operation will overheat an improperly ventilated area.

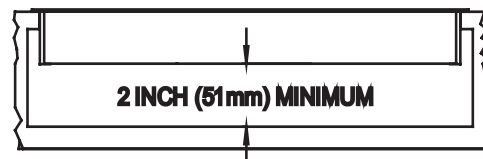


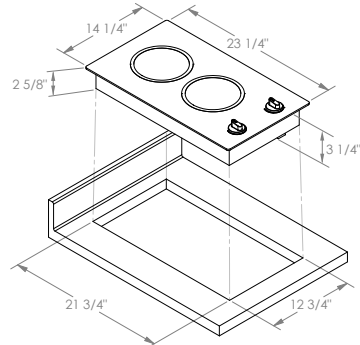
Fig. B

Since the appliance requires a sufficient supply of fresh air to operate at maximum performance, the cabinet must be designed accordingly. The following is required for this:

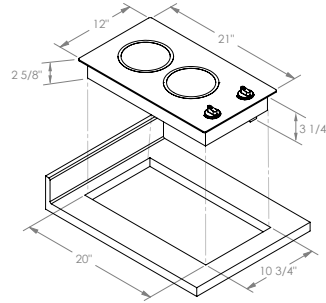
- The cabinet must have a minimum of two openings; one to allow fresh air to enter and the other for hot air to escape the cabinet.
- Opening sizes must be equal to 8 square inches each. This is for ambient temperatures of 85°F / 30°C and below. If the ambient temperature around the appliance is above 85°F / 30°C then larger ventilation opening sizes may be required.

Allow a 2" minimum clearance between the bottom of the metal pan of the cooktop and any combustable surface located below, ie: the upper edge of a drawer installed below the cooktop (see Fig. B on previous page). Failure to provide proper clearances and ventilation may result in a fire hazard.

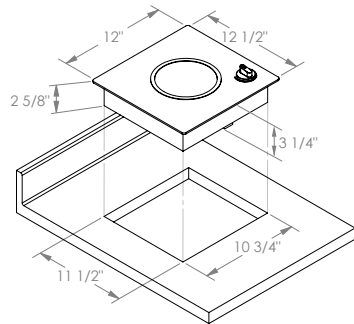
Cooktop dimensions and countertop cutout dimensions for each model are shown below:



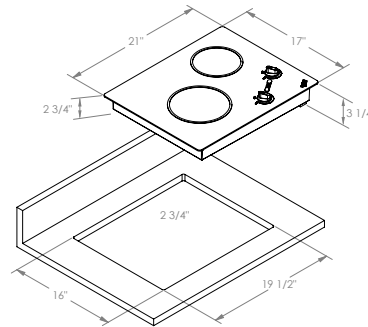
Models: MED2, ALP2LG



Models: MED2TL, CAR2, ALP2SM, CORT2



Models: MED1, CAR1, ALP1, CORT1



Models: ARCTIC2, ANTARCTIC2 & GLACIER2

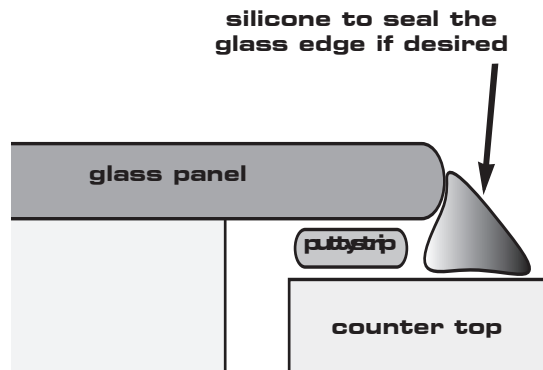
Note:

When making countertop, **radius** the corner of the cutout (1/4" radius is typical). This will prevent cracking of the countertop. Follow the countertop manufacturer's instructions regarding the minimum corner radius and reinforcement of corners.

STEP #4

Installing the Cooktop

The cooktop is supplied with two metal mounting brackets. These brackets are designed to hold the cooktop firmly in place. The cooktop does not have a metal frame and should be sealed to the countertop. **Use a soft bedding compound that will prevent damage if later removal for service is necessary. We recommend a nonadhesive type of sealant, such as plumber's putty, maximum compressed thickness of 1/16".** Silicone may be used to seal the glass edge only, if desired.



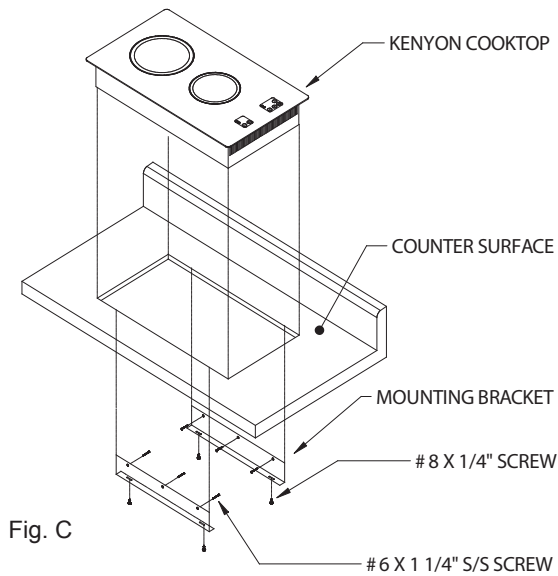


Fig. C

Attach the two mounting brackets as shown (see Fig. C) to the inside vertical surface of the cutout. The brackets are to be mounted on opposing sides. Center the bracket in the opening, **flush with the countertop** and secure with #6 self-tapping screws that are provided. Position the cooktop in the cutout opening and press firmly on all sides to seal the glass into the bedding compound. Secure the cooktop to the brackets from underneath with the small sheet metal screws that are supplied.

BE CAREFUL NOT TO OVERTIGHTEN THE SCREWS..

STEP #5

Electrical Connection

Before proceeding further, verify that the power supply is disconnected. Verify that the appropriate electrical supply requirements have been met. Please refer to the table on page 2 for appropriate electrical requirements. The cooktop is supplied with a 36-inch long conduit for a connection to an accessible junction box. The 240V and 208V conduit consists of three insulated wires. There are two insulated hot lead conductors (red and black) and one insulated ground conductor (green). The 120V conduit consists of three insulated wires. There is the hot lead conductor (black), the neutral conductor (white) and one insulated ground conductor (green).

Attach conductor wires to residence wiring in accordance with national, state and local electric codes.



Warning - Grounding

The entire appliance must be grounded at all times when the electrical power supply is on. Do not ground the appliance with the neutral house supply wire (white). A separate ground must be used.

STEP #6

Final Preparations Prior to Use

Remove the plastic film from the cooktop. Clean the cooktop before you use it for the first time. A thorough cleaning with a recommended cooktop cleaner (**Cerama Bryte Ceramic Cooktop Cleaner**) will provide a clean, shiny coating on the cooktop surface.

The next section of the manual covers cooktop use, maintenance, safety and service information.

Please keep these instructions with the KENYON cooktop for future reference.

USER'S GUIDE & CARE

SAFETY

**Read this section BEFORE operating the cooktop.
The following information applies to all KENYON
Electric Cooktops.**

This cooktop, like all appliances, has the potential to create safety problems through careless and improper use. Please observe all of the following safety precautions.

Proper Installation

Be sure your appliance is properly installed and grounded by a qualified technician.

Never use your appliance for warming or heating the room.

Do not leave children alone.

Children should never be left alone or unattended in the area where the appliance is in use. They should never be allowed to sit or stand on any part of the appliance. Do not store items of interest to a child in cabinets above cooktop. Children climbing on the cooktop to reach such items could be seriously injured.

Wear proper clothing/apparel.

Loose fitting or hanging garments should never be worn while using the appliance.

User Servicing

Do not repair or replace any part of the appliance. If service ever becomes necessary, this appliance should be serviced by **AUTHORIZED PERSONNEL ONLY**

Keep flammable materials away from cooktop.

Do not store plastic material (such as plastic utensils) in storage areas beneath cooktop.

Plastic items with low melting temperatures should not be stored under/over or near the cooktop.

Do not use water on grease fires.

Smother fire or flame or use dry chemical or foam-type extinguisher.

Use only dry potholders.

Moist or damp potholders on hot surfaces may result in burns from steam. Do not let potholder touch the heating elements on the appliance. Do not use a towel or other bulky cloth in place of a potholder.

Do not cook on broken cooktop.

If cooktop should break, cleaning solutions and spillovers may penetrate the broken cooktop and create a risk of electric shock.

Clean cooktop with caution.

If a wet sponge or cloth is used to wipe spills on a hot cooking surface, be careful to avoid steam burns. Some cleaners produce noxious fumes if applied to a hot surface. Read the cleaner label for details prior to using.

DO NOT TOUCH HEATING ELEMENTS

The heating elements on the cooktop may be hot even if they are dark in color. These areas may be hot enough to cause burns. Never touch heating elements until they have had sufficient time to cool. Likewise, never allow clothing or flammable materials to come in contact with heating elements or cooktop surfaces until they have had sufficient time to cool. Other surfaces of the appliance may become hot enough to cause burns.

Use proper pan size.

This appliance is equipped with one or more surface units of different size. Select utensils having flat bottoms large enough to cover the surface unit heating element. The use of undersized utensils will expose a portion of the heating element to direct contact and may result in ignition of clothing. Proper relationship of utensil to burner will also improve efficiency.

Never Leave Surface Units Unattended at High Heat Settings.

Boilover causes smoking and greasy spillovers that may ignite.

Utensil Handles Should be Turned Inward and Not Extend Over Adjacent Surface Units.

To reduce the risk of burns, ignition of flammable materials, and spillage due to unintentional contact with the utensil, the handle of a utensil should be positioned so that it is turned inward, and does not extend over adjacent surface units.

Do not discard these instructions, keep them with the KENYON cooktop for future reference.

OPERATION

READ SAFETY INSTRUCTIONS BEFORE OPERATING YOUR APPLIANCE

The cooking surface areas of your glass ceramic cooktop are identified by permanent patterns in the cooktop. The appliance is easy to maintain and easy to clean. Keeping the cooktop in top performance can be achieved by following the simple guidelines for use and cleaning below:

Use Good Quality Cookware

Since cookware plays an important role in cooking efficiency and convenience, keep in mind the following information when selecting your cookware.

Avoid pans with shaped and rounded bottoms as this inhibits the pan or pot in cooking evenly. The best quality pans and pots to use are the multi-ply stainless steel type. Kenyon sells such pots and pans called StackEN™. They come with a lifetime guarantee and are made in the USA. These pans and pots work exceptionally well on induction cooktops as well as radiant glass top stoves.

Use cookware of the correct diameter only. The base of the pot or pan should be about the same size as the cooking zone on which it is used – not much wider and not much smaller. By using utensils with the correct diameter, you should achieve maximum heating efficiency with the shortest possible cooking time.

Be certain that both the cooktop glass panel and the bottom of your pots and pans are clean and dry before use. By doing so, you will help prevent scratches and stains on your cooktop glass panel.

Heating Elements

This KENYON cooktop contains ribbon-type, radiant heating elements. The radiant elements will “light up” about 4-5 seconds after being turned on. The special design of these elements direct the heat up through the ceramic glass providing efficient cooking. Temperature limiters are included in each element to ensure that the safe operating temperature of the ceramic glass top is not exceeded. The temperature limiter will cycle the radiant element off to prevent exceeding the maximum surface temperature.

Knobs & Indicator Lights

The cooking area controls are called “infinite” controls. This type of control has an infinite selection of heat settings. The control settings begin at high and decrease heat output by cycling the heating elements between “off” and “on” as you turn the knob clockwise. The heating elements will stay “off” for longer periods and “on” for shorter periods as you turn the knob clockwise, thus reducing the heat output.

There are a series of lights that provide indications of burner operation and hot surfaces. These lights are located adjacent to the control knobs. When the control is in the “on” position, a red light is lit indicating which burner is on.

For your safety, we have incorporated a “HOT” indicator light. When lit, this light indicates that some part of the glass ceramic cooktop is too warm to touch or place articles upon. Do not place articles other than cookware on the cooking surface while this light is glowing.

Cleaning

Do not remove the control knobs for cleaning. The control knobs are not designed to be taken off repeatedly. If this occurs, the metal insert will loosen and will not grip the inside of the knob shaft. For general cleaning, use a soft cloth to get under the skirt of the knob.

To help ensure that the KENYON cooktop stays clean, follow these easy-care tips:

Clean the cooktop before you use it for the first time. A thorough cleaning with our recommended cooktop cleaner (**Cerama Bryte Ceramic Cooktop Cleaner**) will provide a coating on the cooktop prior to its first use. A sample is included with your Kenyon cooktop.

Always remove food spills, grease spatters and metal rub-off from cookware. A razor blade scraper or the equivalent works well to remove spillovers.

Clean the cooktop with a paper towel or a clean, soft cloth and a recommended cleaner. After cleaning, always wipe the cooktop with a clean, damp cloth to avoid cooked-on cleaner residue. Wipe the cooktop dry.

Do not use a dish towel or sponge to wipe off the cooktop. A film may be left by the detergent and may cause discoloration of the cooktop surface.

Avoid abrasive scouring cleaners of any kind. Also avoid using plastic, nylon or metal cleaning pads. They may scratch or melt onto the cooktop.

Avoid chemical cleaners such as chlorine bleach, ammonia, hydrofluoric acid or chemical oven cleaners. They can etch or discolor the surface.

Do not let anything that melts - plastic, aluminum foil, sugar, etc. come into contact with the cooktop surface when it is hot. Should something melt onto the surface, *immediately* move it to a cool area of the cooktop with a razor blade scraper and then remove it from the cooktop as soon as possible.

Kenyon International, Inc (the "Company") warrants its products in normal usage to be free of defects in materials and workmanship subject to the conditions and limitations below. Any part, which proves to be defective in normal usage during the warranty period will be repaired or replaced by the Company.

This warranty covers certain products built by the Company and is subject to the following conditions and limitations:

1. The Company's liability shall be limited to repair or replacement (choice of remedy at Company's option) of electronic components as may be defective in materials or workmanship. This liability is limited to three years from the date of original installation or 42 months from invoice date, whichever comes first; this warranty covers parts and labor at pre-approved rates. Stainless steel is warranted with a lifetime guarantee to be rust free when cared for monthly as outlined in owner's manual. If corrosion begins, contact the Company with photo evidence of corrosion for replacement components.
2. Determination of suitability of the product for the use contemplated by the Buyer is the sole responsibility of the Buyer and the Company shall have no responsibility in connection with such suitability.
3. The Company shall not be liable for any damage resulting from:
 - failures due to use of the product in applications for which they are not intended;
 - failures due to corrosion, wear and tear, abuse, neglect, improper installation or maintenance;
 - failures due to breakage of glass, accidental or otherwise.
4. The Company shall be responsible for ground shipping charges to the location of the appliance (home) within the Continental United States and Canada. Any duties, express or special shipping charges are at the expense of the Buyer.
5. All labor allowed by the Company under this warranty must be pre-authorized and performed by an Authorized Kenyon International Service Center, unless otherwise specified in writing by the Company.

THERE ARE NO OTHER WARRANTIES OF MERCHANTABILITY, FITNESS FOR PURPOSE OR ANY OTHER KIND, EXPRESSED OR IMPLIED AND NONE SHALL BE IMPLIED BY LAW. The duration of any such warranties that are nevertheless implied by law for the benefit of a consumer, shall be limited to a period of three years from original purchase by the user. Some countries do not allow limitations on how long an implied warranty lasts, so this limitation may not apply to you.

THE COMPANY SHALL NOT BE LIABLE FOR CONSEQUENTIAL OR INCIDENTAL DAMAGES ARISING FROM THE BREACH OF THIS WARRANTY, WHETHER EXPRESSED, IMPLIED OR STATUTORY. Some countries or states do not allow exclusion or limitation of consequential or incidental damages so this limitation or exclusion may not apply to you.

THIS WARRANTY GIVES YOU SPECIFIC LEGAL RIGHTS AND YOU MAY ALSO HAVE OTHER LEGAL RIGHTS THAT MAY VARY FROM COUNTRY TO COUNTRY AND STATE TO STATE.