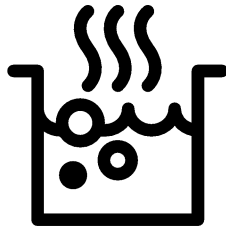




BUILT-IN GAS RANGETOP

INSTALLATION MANUAL



– NOTICE –

Before beginning installation, read these instructions thoroughly and carefully. Observe all local and national codes, requirements, and ordinances. DO NOT remove permanently affixed labels, warnings, or plates from the product as this may void the warranty. Installers should leave these instructions with the consumer who should retain them for the local inspector's use and for future reference.

PRGRT30500SS

185.9285.38/R.AA/18.08.2020

7751688338

WARNING

Read all safety instructions before using the product. If the information in this manual is not followed exactly, a fire or explosion may result causing property damage, personal injury or death.

— Do not store or use gasoline or other flammable vapors and liquids in the vicinity of this or any other appliance.

— WHAT TO DO IF YOU SMELL GAS

- Do not try to light any appliance.
 - Do not touch any electrical switch.
 - Do not use any phone in your building.
 - Immediately call your gas supplier from a neighbor's phone. Follow the gas supplier's instructions.
 - If you cannot reach your gas supplier, call the fire department.
- Installation and service must be performed by a qualified installer, service agency or the gas supplier.

WARNING

This product can only be used in a room which incorporates properly adjusted and functioning Carbon Monoxide and smoke sensors. Make sure the Carbon Monoxide and smoke sensors work properly and are maintained frequently. Carbon Monoxide and smoke sensors should be installed maximum 6.5 feet away from the product.

WARNING

Never Operate the Top Surface Cooking Section of this Appliance Unattended

- Failure to follow this warning statement could result in fire, explosion, or burn hazard that could cause property damage, personal injury, or death .
- If a fire should occur, keep away from the appliance and immediately call your fire department.

DO NOT ATTEMPT TO EXTINGUISH AN OIL/GREASE FIRE WITH WATER.

READ AND SAVE THESE INSTRUCTIONS

PLEASE READ THESE INSTRUCTIONS BEFORE USING THIS APPLIANCE.

Dear Valued Customer,

Thank you for your purchase - this appliance is intended for normal household use only. It is not approved for outdoor or other non-household uses (including sea or air-going vessels). See the Statement of Limited Warranty. If you have any questions, contact the manufacturer. Do not repair or replace any part of the appliance unless specifically recommended in this manual. Refer all servicing to a factory-authorized service center.

This appliance has been manufactured in modern facilities and passed through strict quality control procedures. To obtain the best performance with your product, we advise you to read through this user manual carefully before using your product.

PLEASE FOLLOW THESE IMPORTANT STEPS:

- Please read this user manual carefully before using the product.
- **ALWAYS** follow the recommended safety instructions.
- Keep the user manual in an easily accessible place for future use.
- Please read all the other documents provided with the product.
- Please keep in mind that this manual may apply to several product models. This manual expressly indicates the differences between those various models.
- Please keep your receipt for any repairs which may be required under warranty.
- Upon delivery, please check that the appliance is not damaged. If you note any transport damage, please contact the shipping company or company where you purchased the appliance immediately and do not connect and operate the appliance!
- If you pass on the appliance to another person, please provide all documents with it including original date of purchasing. (The warranty does not convey if the unit is sold.)

If you should decide not to use this appliance any longer (or decide to substitute an older model), before disposing of this appliance, it is recommended that it be made inoperative in an appropriate manner in accordance to health and environmental protection regulations, ensuring in particular that all potentially hazardous parts be made harmless, especially in relation to children who could play with old appliances.

TABLE OF CONTENTS

SAFETY INFORMATION	5
1.1 Before you begin	6
1.2 Room ventilation.....	7
2.1 Tools you will need	9
2.2 Tools you may need	9
2.3 Materials you may need	9
PREPARING FOR INSTALLATION	9
CLEARANCES & DIMENSIONS.....	10
3.1 Rangetop Dimensions.....	10
3.2 Cut-out Dimensions.....	10
3.3 Minimum Clearance Dimensions.....	11
INSTALLING THE RANGETOP	12
4.1 Install Gas Regulator.....	12
4.2 Slide Rangetop Into Cut-out.....	12
CONNECTION TO GAS SUPPLY	13
ELECTRICAL CONNECTIONS.....	16
ASSEMBLE THE BURNERS	18
CHECKING BURNER IGNITON	19
GAS CONVERSION.....	21

1

SAFETY INFORMATION

We have provided many important safety messages in this manual and on the appliance. **ALWAYS** read and obey all safety messages.

This is the safety alert symbol.



This symbol alerts you to hazards that can kill or hurt you and others. All safety messages will be preceded by the safety alert symbol and the word “DANGER”, “WARNING”, or “CAUTION”. These words mean:

DANGER

INDICATES A HAZARDOUS SITUATION WHICH, IF NOT AVOIDED, WILL RESULT IN DEATH OR SERIOUS INJURY.

WARNING

Indicates a hazardous situation which, if not avoided, could result in death or serious injury.

CAUTION

Indicates a hazardous situation which, if not avoided, could result in minor personal injury or product or property damage.

WARNING

This product can expose you to chemicals including Nickel (Metallic) which is known to the State of California to cause cancer. For more information go to www.P65Warnings.ca.gov

Note: Nickel is a component in all stainless steel and some other metal components.

All safety messages will identify the hazard, describe how to reduce the chance of injury, and describe what can happen if the instructions are not followed.

SAFETY INFORMATION

1.1 BEFORE YOU BEGIN

- Before beginning the installation, switch power off at the service panel and lock the service, disconnecting means to prevent power from being switched on accidentally. When the service disconnecting means cannot be locked, securely fasten a prominent warning device, such as a tag, to the service panel.
- **Important notes to the installer:** Read manual before installing the appliance. Be sure to leave these instructions with the consumer.
- **Important notes to the consumer:** Keep these instructions for future reference. Be sure to leave these instructions with the consumer.
- For installation, the appliance must be connected in accordance with all local electrical and/or gas regulations.
- Observe all governing codes and ordinances.
- Be sure your rangetop is installed and grounded properly by a qualified and authorized installer or service technician.
- Remove all packaging material and read all literature before connecting gas and electrical supply to rangetop. After installation is completed, dispose of all parts of the packaging according to environmental standards and regulations. Never allow children to play with packaging materials.
- Read these instructions completely and carefully. Improper installation, adjustment, alteration, service or maintenance can cause injury, death and property damage.
- The installation must conform with local codes or, in the absence of local codes, with the National Fuel Gas Code, ANSI Z223.1/NFPA 54 or, in Canada, the Natural Gas and Propane Installation Code, CSA B149.1.
- This product has been design-certified by Intertek according to latest edition of ANSI Z21.1 / CSA 1.1.
- This appliance, when installed, must be electrically grounded in accordance with local codes or, in the absence of local codes, with the National Electrical Code, NFPA 70 or the Canadian Electric Code, CSA C22.1-02. Refer to 6. Electrical Connections, in this manual.
- **NEVER** reuse old flexible connectors. The use of old flexible connectors can cause gas leaks, personal injury, death and property damage. Always use NEW flexible connectors when installing a gas appliance.
- Leak testing of the appliance shall be conducted according to the manufacturer instructions. Refer to 5. CONNECTION TO GAS SUPPLY, in this manual.
- Avoid placing cabinets above the rangetop. To minimize the hazard caused by reaching over the open flames of operating burners, install a ventilation hood over the rangetop that projects forward at least

SAFETY INFORMATION

5" beyond the front of the cabinets.

- An air curtain or other overhead range hood, which operates by blowing a downward airflow onto this appliance, shall not be used in conjunction with this gas appliance. This airflow may interfere with operation of the gas burners resulting in fire or explosion hazard.
- To avoid damage to your cabinets, check with your builder or cabinet supplier to make sure that the materials used will not discolor, delaminate or sustain other damage. This product has been designed in accordance with the requirements of ANSI and CSA International and complies with the maximum allowable wood cabinet temperatures of 194°F (90°C).
- The California Safe Drinking Water and Toxic Enforcement Act requires the Governor of California to publish a list of substances known to the State of California to cause cancer, birth defects, or other reproductive harm, and requires businesses to warn of potential exposure to such substances.
- **Note:** This product contains a chemical known to the State of California to cause cancer, birth defects, or other reproductive harm.
- This appliance can cause low-level exposure to some of the substances listed, including benzene, formaldehyde, carbon monoxide, and toluene.
- Call service for obtaining replacement parts. Contact information can be found at the last page of the user manual.

1.2 ROOM VENTILATION

All rooms require an openable window, or equivalent, and some rooms will require a permanent vent as well.

The air for combustion is taken from the room air and the exhaust gases are emitted directly into the room.

Good room ventilation is essential for safe operation of your appliance.

If the room where the appliance is installed does not have a door or a window that opens directly to the outer environment, there must definitely be a fixed ventilation opening in the room. The fixed ventilation must be nonadjustable and non-closable.

On the doors or windows that open directly to the outer environment, there must be a ventilation opening with the dimensions specified based on the total gas power of the appliance (as shown below). You can find the gas power and ventilation opening match-up in the table below.

Total gas consumption (BTU/h)	Min. Ventilation opening (inch ²)
0-6800	16
6800-10200	19
10200-13600	27
13600-20500	47
20500-27300	62
27300-34100	78
34100-39200	93

SAFETY INFORMATION

39200-44400	109
44400-52900	124
52900-58000	140
58000-64800	155
64800-81900	194

If the doors or windows that open directly to the outer environment do not have openings corresponding to the ventilation opening specified according to the total gas power of the product, there must definitely be a fixed ventilation opening in the room. The fixed ventilation opening should also be in compliance with the values in the gas power-ventilation opening table.

There should be a minimum clearance of 10 mm on the bottom edge of the door -that opens to the inner environment- in the room where the product is installed. You must make sure that items such as carpets, floorings, etc. do not cover this clearance when the door is closed.

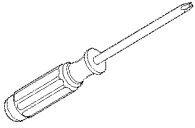
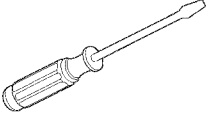
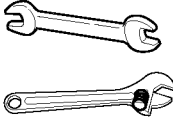
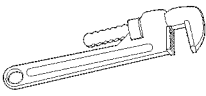
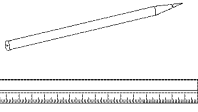

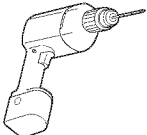

The appliance may be located in a kitchen, kitchen/diner or a bed-sitting room, but not in a room containing a bath or shower. The appliance must not be installed in a bed-sitting room of less than 20m³.


Do not install this appliance in a room below ground level unless it is open to ground level on at least one side.

2


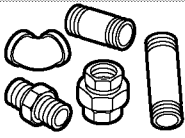

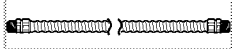
PREPARING FOR INSTALLATION

2.1 TOOLS YOU WILL NEED

	Phillips screwdriver
	Flat-blade screwdriver
	Open-end or adjustable wrench
	Pipe wrenches (one for backup)
	Pencil and ruler
	Safety glasses
	1/8" Drill Bit & Electric or Hand Drill
	Saber saw

	Safety gloves
---	---------------

2.2 TOOLS YOU MAY NEED

	Joint sealant
	Pipe fittings
	Shut off valve
	Flexible connector

2.3 MATERIALS YOU MAY NEED

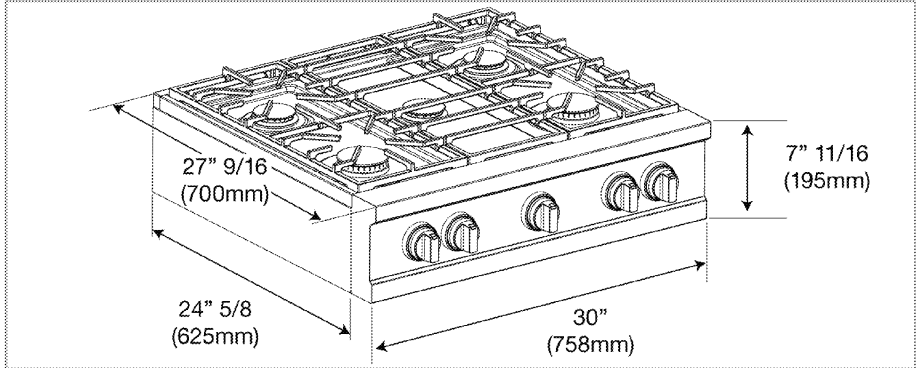
- Gas line shut-off valve
- To reduce the possibility of gas leaks, apply Teflon tape or a thread compound approved for use with LP or Natural gases to all threaded connections.
- 1/2 " flexible metal appliance connector. Never use an old connector when installing a new rangetop.
- Flare union adapter for connection to gas supply line (3/4" or 1/2" NPT x 1/2" I.D.).
- Liquid leak detector or soapy water.
- *Teflon: Registered trademark of DuPont

3

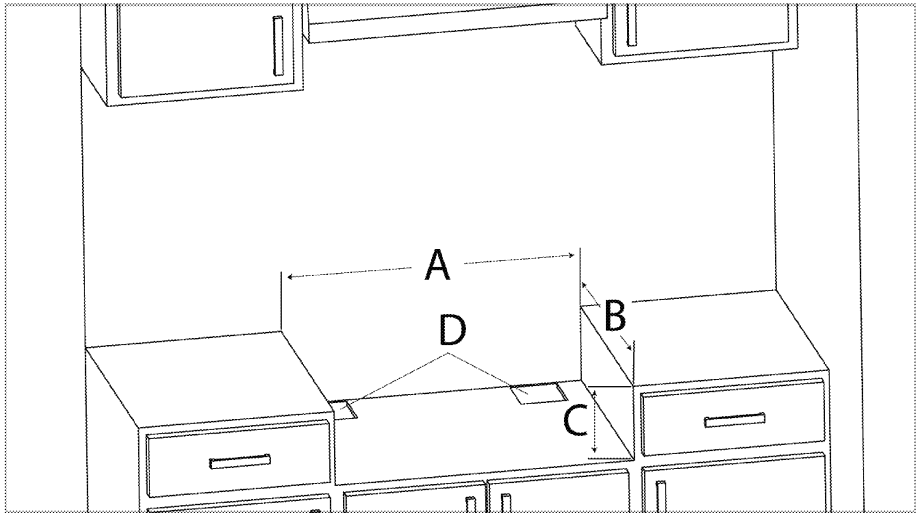
CLEARANCES & DIMENSIONS

Provide adequate clearances between the rangetop and adjacent combustible surfaces. These dimensions must be met for safe use of your rangetop. Allow 30" (762 mm) minimum clearance between burners and bottom of unprotected wood or metal cabinet. Installation of a listed microwave oven or cooking appliance over the rangetop shall conform to the installation instructions packed with that appliance. Built-in oven installation, shall conform to the installation instruction packed with the built-in oven.

3.1 RANGETOP DIMENSIONS



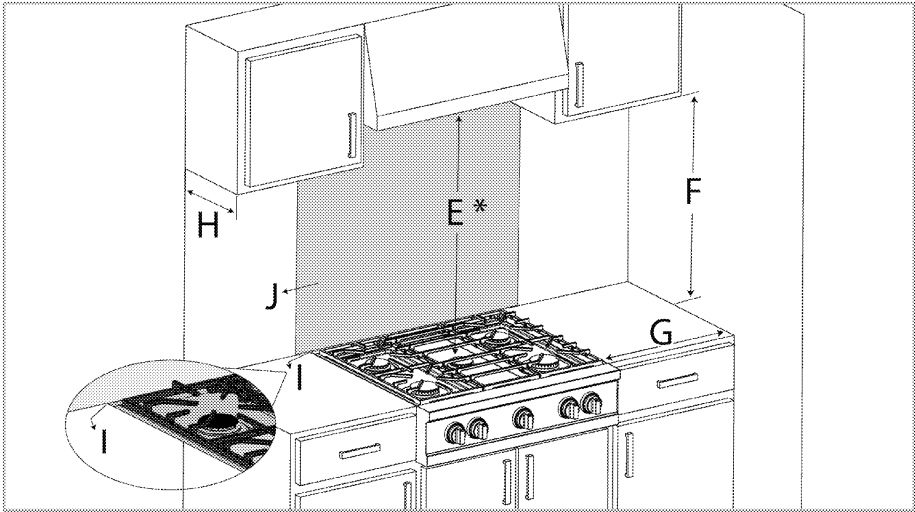
3.2 CUT-OUT DIMENSIONS



A	B	C	D
30" (762 mm)	24-3/4" (628 mm)	7-11/16 " (195 mm)	To ensure safety there must be separate holes for electrical and gas supply

CLEARANCES & DIMENSIONS

3.3 MINIMUM CLEARANCE DIMENSIONS



E*	F	G	H	I	J
30" (762 mm) to 36" (914 mm) to bottom of Ventilation hood	18" (457 mm)	5" (127 mm)	13" (330 mm)	0" (0 mm)	Non-combustible material only

***Note:** 36" without ventilation hood

WARNING

The rangetop must not be below the countertop. If the appliance is below the countertop, there is a risk of the furniture catching fire which may result in causing property damage, personal injury or death.

4

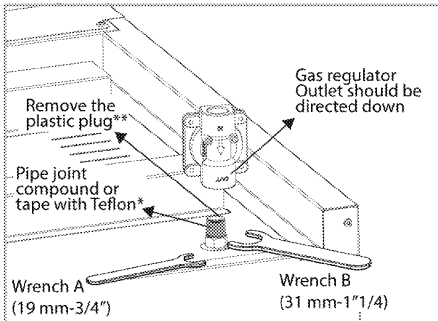
INSTALLING THE RANGETOP

4.1 INSTALL GAS REGULATOR

Gas regulator is supplied with the rangetop.

To prevent gas leaks, apply pipe joint compound or tape with Teflon* around all rangetop gas inlet male threads.

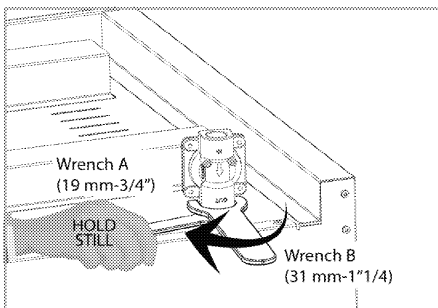
Outlet of the gas regulator should be connected to rangetop gas inlet as shown in the figure below.



*Teflon: Registered trademark of DuPont.

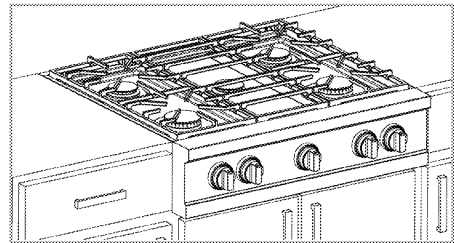
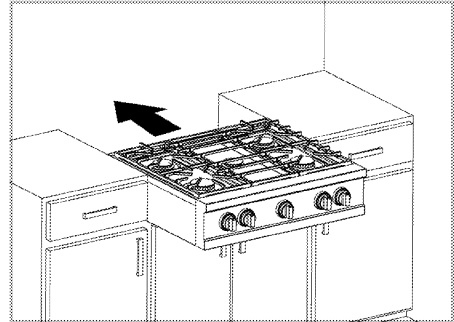
**Before the connection, remove the plastic plug on the rangetop gas inlet.

Hold the rangetop gas inlet with wrench A (19 mm – 3/4"). Then hold the gas regulator with wrench B (31 mm – 1" 1/4) and install the gas regulator by rotating wrench B clockwise.



4.2 SLIDE RANGETOP INTO CUT-OUT

Slide the rangetop centered into the cutout opening. Be sure the front edge of the countertop is parallel to the rangetop. Make final check that all required clearances are met.



5

CONNECTION TO GAS SUPPLY

The gas connection is located at the rear right bottom of the rangetop.

Shut off main gas supply valve before disconnecting the old rangetop and keep it off until the new hook-up has been completed.

If not already present, install gas shut off valve in an easily accessible location. Make sure all users know where and how to shut off the gas supply to the rangetop.

This appliance has been tested in accordance with the following standards:

- This product has been design-certified by Intertek according to latest edition of ANSI Z21.1 / CSA 1.1.
- Be sure your appliance is properly installed and grounded by a qualified and authorized technician in accordance with the National Fuel Gas Code NFPA 54 / ANSI Z223.1 (latest edition), or in Canada, CAN/CGA B149.1, and CAN/CGA B149.2 (latest edition), and National Electrical Code ANSI/NFPA 70 (latest edition) or in Canada CSA C22.1 (latest edition) and local code requirements.

For Massachusetts Installations:

1. Installation must be performed by a qualified and licensed contractor, plumber or gas fitter qualified and licensed by the state, province or region where this appliance is being installed.
2. Shut-off valve must be a "T" handle gas cock.
3. Flexible gas connector must not

be longer than 36 inches.

High Altitude Installation note:

This appliance is Intertek certified for safe operation up to an altitude of 2,000 ft. without any modifications. For higher altitudes, please contact with Service.

WARNING

This product can be converted to LP Gas. Gas conversion must always be performed by Authorized Service Agents.

Important note for LP users

The rangetop is shipped from the factory for use with natural gas. For use with propane (LP) gas, your rangetop must first be converted using the LP conversion kit.

Rigid Pipe Method

The configuration of the rigid pipe connection will vary depending on the location of the gas pipe stub.

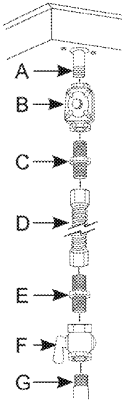
Because rigid piping restricts movement of the rangetop, the use of a certified flexible metal appliance connector is recommended unless local codes require a rigid-piped connection.

If the rigid piping method is used, you must carefully align the pipe; the rangetop cannot be moved after the connection is made.

CONNECTION TO GAS SUPPLY

GAS CONNECTION

- A. 3/8" NPT male pipe thread
- B. Regulator provided with unit:
 - Outlet - 3/8" NPT female pipe thread
 - Inlet - 1/2" NPT female pipe thread
- C. Adapter
- D. Flexible connector
- E. Adapter
- F. Manual shut-off valve
- G. Gas pipe 1/2" or 3/4"



To prevent gas leaks, apply pipe joint compound or wrap pipe thread tape with Teflon* around all male (external) pipe threads.

*Teflon: Registered trademark of DuPont

Flexible Connector Method

1. A manual shut-off valve (F) shall be installed in an accessible location in the gas piping external to the appliance for the purpose of turning on or shutting off gas to the appliance. Be sure everyone operating the rangetop knows where and how to shut off the gas supply to the rangetop.
2. Install male 1/2" flare union adapter (C) to the 1/2" NPT internal thread at inlet of pressure regulator (B). Use a backup wrench on the pressure regulator (B) fitting to prevent damage.
3. Install male 1/2" or 3/4" flare union adapter (E) to the NPT internal thread of the manual shut-off valve (F), taking care to back-up the shut-off valve to keep it from turning.

4. Connect a flexible metal connector (D) to the adapter on the rangetop. Position the rangetop to permit connection at the shut-off valve.

WARNING

Make sure flexible connector is not damaged while positioning the rangetop. Otherwise gas leakage can result in fire, injury or death.

Inlet pressure ratings of the regulator provided with unit is 5" WC for NG and 10" WC for LPG.

Gas supply pressures for checking the regulator setting are 7" WC for NG and 12" WC for LPG.

5. When all connections have been made, be sure all rangetop controls are in the off position and turn on the main gas supply valve. Check for gas leaks by using a manometer. If a manometer is not available, turn on the gas supply for the rangetop and use a non-corrosive liquid leak detector at all joints and connections to check for leaks. Bubbles appearing around fittings and connections indicate a leak. Tighten all connections, if necessary, to prevent gas leakage in the rangetop or supply line.

CONNECTION TO GAS SUPPLY

WARNING

Never check for leaks with a flame. Do not continue to the next step until all leaks are eliminated.

The appliance and its individual shut-off valve must be disconnected from the gas supply piping system during any pressure testing of that system at test pressures in excess of 1/2 psi (3.5 kPa).

The appliance must be isolated from the gas supply piping system by closing its individual manual shut-off valve during any pressure testing of the gas supply piping system at test pressures equal to or less than 1/2 psi (3.5 kPa).

6

ELECTRICAL CONNECTIONS

Note: Electrical installation should comply with national and local codes. The appliance, when installed, must be electrically grounded in accordance with local codes or, in the absence of local codes, with the National Electrical Code, NFPA 70 or the Canadian Electric Code, CSA C22.1-02.

Note: This appliance must be grounded!

WARNING

Avoid fire hazard or electrical shock. Do not use an adapter plug. Do not use an extension cord. Do not remove grounding prong from electrical power cord. Failure to follow this warning can cause serious injury, fire or death

WARNING

Risk of Electric Shock or Fire. Grounding through the neutral conductor is prohibited for new branch circuit installations (1996 NEC), mobile homes, and recreational vehicles, or in an area where local codes prohibit grounding through the neutral conductor.

- This appliance is equipped with a 3-prong grounding plug for your protection against shock hazard and should be plugged directly into

a properly grounded receptacle. DO NOT cut or remove the grounding prong from this plug. Otherwise there is a risk of electric shock.

- For personal safety, the rangetop must be properly grounded. For maximum safety, the power cord must be plugged into an electrical outlet that is correctly polarized and properly grounded.
- If a 2-prong wall receptacle is the only available outlet, it is the personal responsibility of the consumer to have it replaced with a properly grounded 3-prong wall receptacle installed by a qualified electrician.

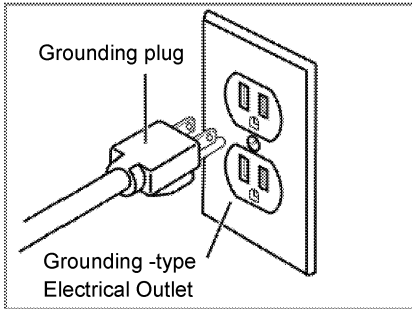
WARNING

Do not ground to a gas pipe.

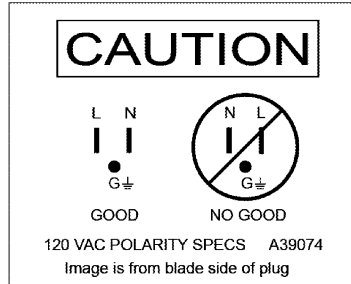
- Our company shall not be held responsible for any damage caused by using the appliance without grounded receptacle.
- The wiring diagram covering the control circuit is located at the bottom of the rangetop
- The main supply data must correspond to the data specified on the rating plate of the appliance.
- The electrical receptacle should be placed max. 6 ft away from the rangetop.
- To minimize possible shock hazard, the cord must be plugged into a mating 3-prong ground-type outlet, grounded to conform with the National Electrical Code, ANSI/NFPA 70 latest edition, or Canadian

ELECTRICAL CONNECTIONS

Electrical Code (CSA) and all local codes and ordinances. Refer to the illustration below.



Note: You must follow all National Electrical Code and Gas regulations. In addition, be aware of local codes and ordinances when installing your appliances.



WARNING

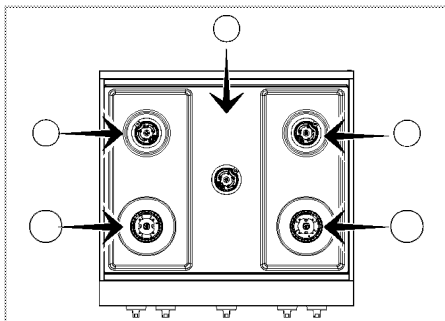
Risk of electric shock, short circuit or fire by damage of the main power supply!
The main power supply lead must not be clamped, bent or trapped or come into contact with hot parts of the appliance.
If the main power supply is damaged, it must be replaced by a qualified electrician.
A suitable wall receptacle shall be provided in the vicinity of the product.

Note: The rangetop requires a 110/120VAC electrical supply to operate the ignition system. The 6 ft (1.8 m) power supply cord provided with the rangetop is equipped with a 3-prong, grounded plug for protection against shock hazard. The electric installation of the house should have its own 15 amp circuit breaker.

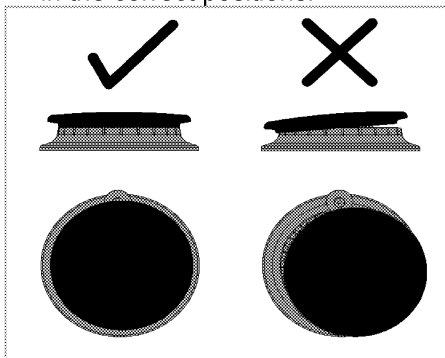
7

ASSEMBLE THE BURNERS

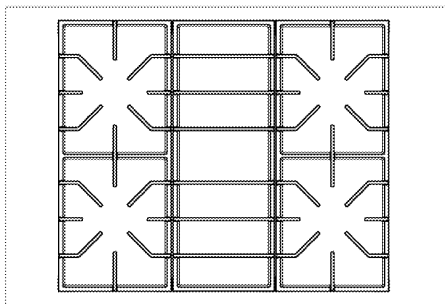
1. Place caps on the proper sized burners.



2. Make sure that the caps are placed in the correct positions.



3. Place the grates on the rangetop.
For maximum stability, these grates should only be used in their proper position. Because of the varied burner sizes, the side grates cannot be exchanged nor can any of the grates be rotated front to back.



8

CHECKING BURNER IGNITION

1. Turn on power at the breaker

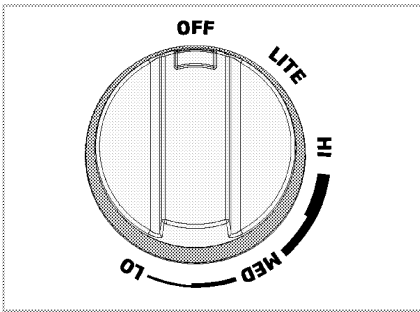
Make sure all gas and electrical connections are done safely before checking for ignition of surface burners. Turn on power at the breaker.

2. Verify the cap and grates placement

Make sure all burners are in their correct locations and fully assembled before attempting to operate any burner.

3. Ignite the burners

Gas burners are controlled with the rangetop knobs. "HI" symbol indicates the highest cooking power and "LO" symbol corresponds to the lowest cooking power. In "OFF" position, gas is not supplied to the burners.



- Keep burner knob pressed.
- Turn it counter clockwise to level "LITE".
- The igniter module will produce a spark sound. Gas is ignited with the spark created.
- Adjust it to the desired cooking power.

WARNING

All igniters spark when any single burner is turned on. Do not touch any of the burners when the rangetop is in use.

WARNING

In case of electrical power cut, ignition and re-ignition flame control system does not work. Turn the rangetop knobs to "OFF" position and do not operate your rangetop. Otherwise there is a risk of gas leakage.

WARNING

If the burner is not ignited within 4 seconds, turn the burner control knob to OFF position. Make sure all burners are in their correct position, control all gas piping against gas leakage and make sure gas supply is not turned off. Wait at least 1 minute and make sure room is well ventilated before trying for ignition again. There is the risk of gas accumulation and explosion!

CHECK IGNITION OF BURNERS

4. Test flame: High Setting. Turn the burner to "HI". See appropriate flame characteristics section. If any of the burners continue to burn mostly or completely yellow, call Service.

5. Test Flame: Low Setting. Turn the burner to "LO". Verify that the flame completely surrounds the burner. There should be flame at each burner port and there should be no air gap between the flame and the burner. If any of the burners do not comply, call Service. Test the ignition and flame of each rangetop burner as described above.

Combustion quality of burner flames can be confirmed if

- there is a flame at each rangetop burner flame port,
- there is no air gap between the flame and the burner flame port.

Flame characteristics

The burner flame should be soft blue in color and stable with no yellow tips, excessive noise or fluttering. It should burn completely around the burner cap.

Yellow Flames:



Further adjustment is required.

Yellow Tips on Outer Cones:



Normal for LP Gas.

Soft Blue Flames:



Normal for Natural Gas.

If the flame is completely or mostly yellow, verify that the regulator is set for the correct gas type and correct injectors are used on the burners. After adjustment, retest.

Some yellow streaking is normal during the initial use. Allow unit to operate 10-15 minutes and re-evaluate before making adjustments.

Foreign particles in the gas line may cause an orange flame during initial use. This should disappear with use. Check burner to make sure port holes are not obstructed and not clogged.

Call service if;

1. Any of the burners do not light.
2. Any of the burners continue to burn yellow.

9

GAS CONVERSION

This rangetop leaves the factory set for use with natural gas. When converting to LP gas, the conversion must be performed by a qualified LP gas installer.

The conversion instructions and LP orifices are supplied with your rangetop.

Keep these instructions and the orifices in case you want to convert back to natural gas.