

STANDARD FEATURES

HESTAN

BUILT-IN GRILLS

- Available in 30", 36", and 42" widths
- Horizon Hood™ with spring-assisted hinges to hold at desired heights*
- Motion activated Stadium Lights™ with halogen under-hood lighting*
- Multi-purpose built-in ceramic infrared rotisserie / searing / finishing burner* from 12,000 to 18,000 Btu/hour (depending on model) with simple touch on function
- Patented high performance 321SS tubular Trellis Burner™ at 25,000 Btu/hour each
- Patented 5/16" thick stainless steel DiamondCut Grates™ lasered in-house
- High performance variable ceramic infrared sear burner at 25,000 Btu/hour each

Laser Cut Stainless Steel Grate - 5/16" thick



Under-Hood Lighting



Multi-Purpose Ceramic Infrared Rotisserie

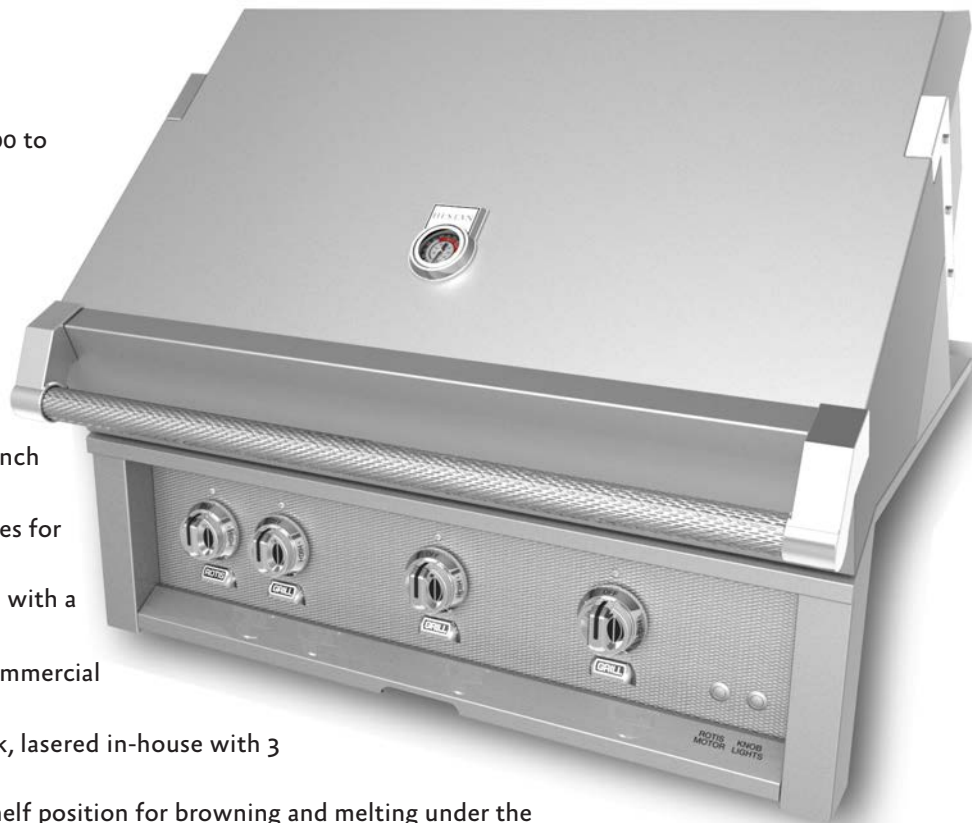


- Symmetrical flip to clean radiant tray with monogrammed ceramic briquettes*
- 519 square inch total grilling surface for 30" model. 647 square inch total grilling surface for 36" model. 774 square inch total grilling surface for 42" model.
- Warming rack - 189 square inches for the 30", 236 square inches for the 36" and 282 square inches for the 42" unit.
- Concealed chain driven whisper quiet rotisserie motor system with a single speed, 6 rpm, 50 in-lbs motor
- Marquise™ accented control panel and hood handle with commercial grade end caps
- 1/4" thick stainless steel DiamondCut Grates™ warming rack, lasered in-house with 3 vertical positions. Concealed storage when not in use.
- Split shelf warming rack (42" model only) features an upper shelf position for browning and melting under the infrared rotisserie burner, and a lower shelf position to keep food warm.
- Hot surface ignition system with lighting assist function
- Lifetime warranty on welded body, DiamondCut Grates™ and warming racks, Trellis Burners™, variable sear burners, and rotisserie burner

Split Shelf (42" model only)



- Infinite position monogrammed removable smoker and handle for wood chips or smoker pellets
- Heavy gauge welded body construction
- LED front control panel lighting with simple touch on function
- Monogrammed temperature gauge with cooking zone markings
- Stainless steel removable drip tray for ease of cleaning
- Patented Zamak die-cast knobs, burner indicators and bezels
- Porcelain broiling pan with stainless steel rotisserie spit and forks



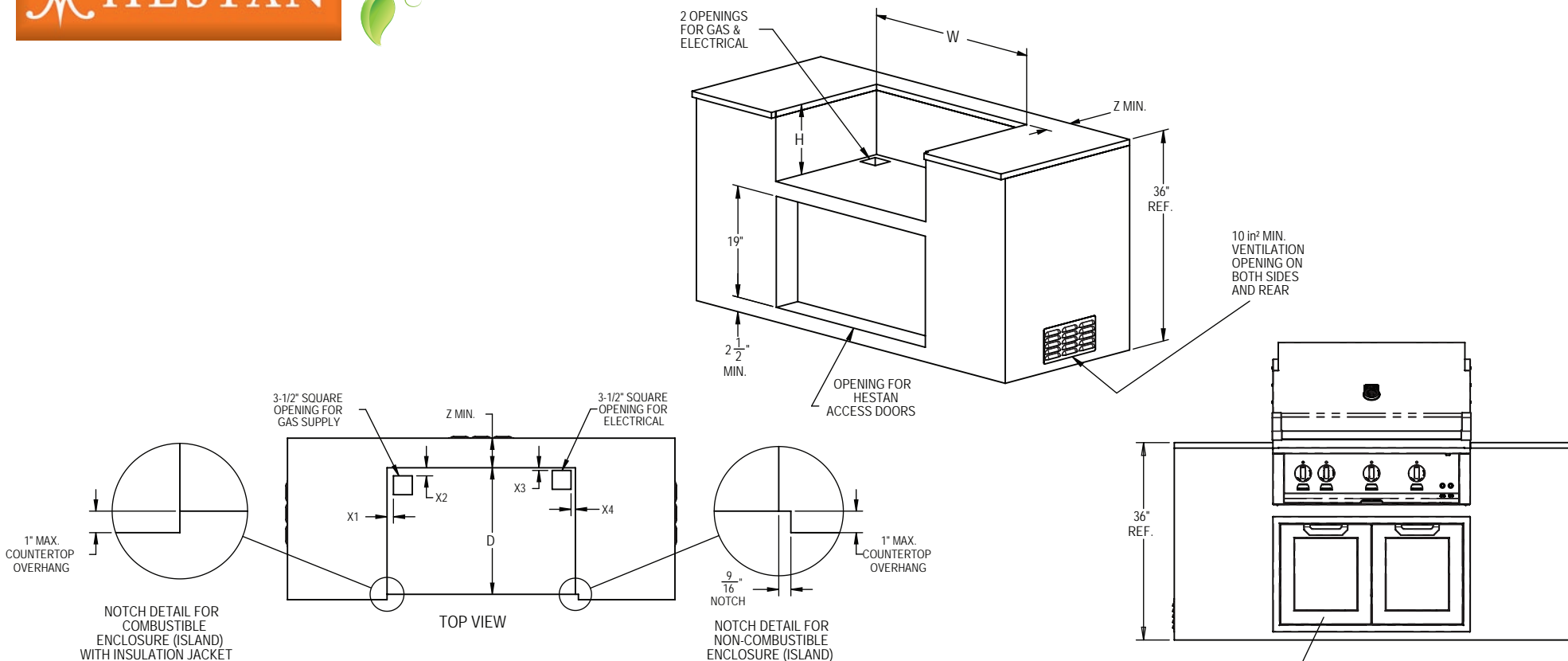
36" Model Shown

OPTIONS & ACCESSORIES

- Natural Gas (NG) or Liquid Propane (LP)
- Twelve (12) Hestan signature color finishes
- Carbon Fiber Vinyl Cover
- Gas conversion kits (NG/LP)
- Variable Sear Burner conversion kit
- Trellis Burner™ conversion kit
- High altitude kit

* = patent pending

BUILT-IN GRILLS


INSULATED JACKETES

Model Number	Description	W (in.)	D (in.)	H (in.)	X1 (in.)	X2 (in.)	X3 (in.)	X4 (in.)	Z (in.)
AGIJ30	Insulated Jacket, 30"	35	25 - 1/8	12 - 13/16	4 - 3/16	3 - 1/8	1 - 1/2	3 - 13/16	3 - 7/8
AGIJ36	Insulated Jacket, 36"	41	25 - 1/8	12 - 13/16	4 - 3/16	3 - 1/8	1 - 1/2	3 - 13/16	3 - 7/8
AGIJ42	Insulated Jacket, 42"	47	25 - 1/8	12 - 13/16	4 - 3/16	3 - 1/8	1 - 1/2	3 - 13/16	3 - 7/8

GAS REQUIREMENTS : 1/2" NPT gas connection. Minimum gas supply is 7" water column for natural gas and 11" for propane. Operating pressure at the manifold is 4" water column for natural gas and 10" for propane. All units require a regulated gas supply. (included)

ELECTRICAL REQUIREMENTS : 120V, 60Hz, 6 amps



Hestan Outdoor products are approved for outdoor use only. Hestan Commercial Corporation reserves the right to change materials and specifications without notice. Specify type of gas when ordering.

Built - In Models	Description	Cutout Dimensions								Total Btu's
		W (in.)	D (in.)	H (in.)	X1 (in.)	X2 (in.)	X3 (in.)	X4 (in.)	Z (in.)	
G_BR30-NG / -LP	30" Grill Built-in	29	23 - 1/2	11 - 1/2	1 - 3/16	1 - 1/2	1/4	13/16	5 - 1/2	62000
G_BR36-NG / -LP	36" Grill Built-in	35	23 - 1/2	11 - 1/2	1 - 3/16	1 - 1/2	1/4	13/16	5 - 1/2	89000
G_BR42-NG / -LP	42" Grill Built-in	41	23 - 1/2	11 - 1/2	1 - 3/16	1 - 1/2	1/4	13/16	5 - 1/2	118000

_ = specify burner configuration A= all Trellis Burners M= Sear and Trellis Burners S= all Sear Burners