

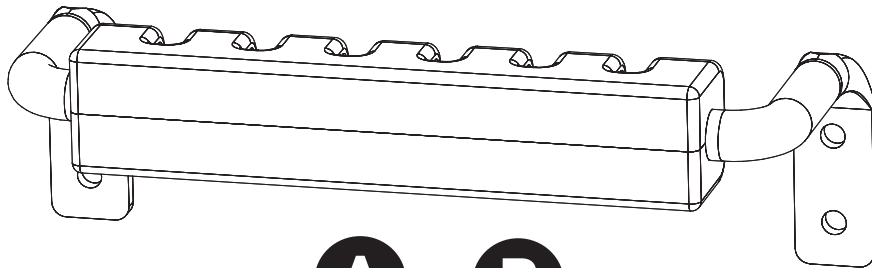
MASTERBUILT®

Handle Instruction Sheet

Digital Charcoal Smoker CS40G1DW



- Always remove plug from outlet before servicing your smoker.
- Make sure your smoker has fully cooled to avoid burns.
- Some components may have sharp edges. Use caution to avoid injury.

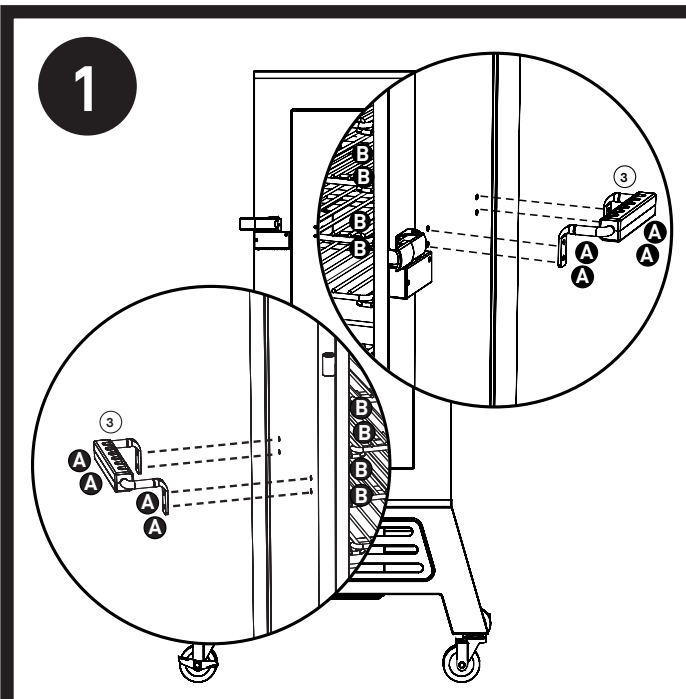


A
M4X14
SCREW

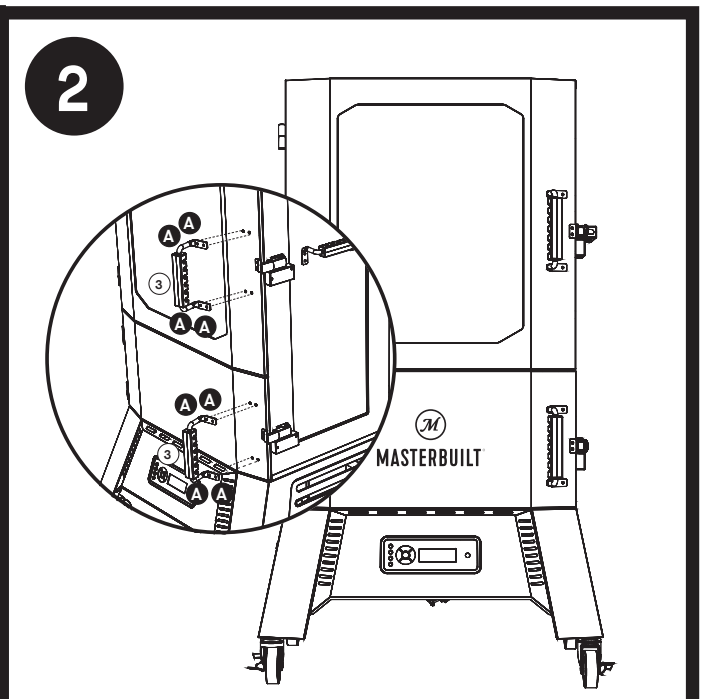
B
M4 NUT



Tools Needed:
Phillips Head Screwdriver



1
Install the side handles with M4X14 Screws and M4 Nuts.



2
Install the door handles with M4X14 Screws.