

## STANDARD FEATURES



## OUTDOOR WARMING DRAWER

- Features a digital control with four preset temperature options (ranging from 100 degrees to 200 degrees) and five time intervals, for flexibility and ease of use.
- Exterior power indicator light helps you visibly see when the power is on.
- Quiet convection fan for perfectly even temperature control.
- Halogen lit interior provides better visibility to items.
- Stainless steel interior for bright finish, longevity and easy clean up.



Model as shown  
GWD30

Convection fan

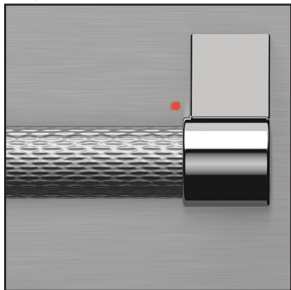


Variable temp settings



- Automatic shut-down with chime notification when the time period has completed.
- Full extension soft-close drawer mechanism provides smooth, effortless operation and is removable for cleaning. Load capacity is 80 lbs. [36kg]
- 2.3 Cu. Ft. of total interior space.
- Textured mat (removable for cleaning) on base of interior warming drawer limits items from shifting when opening and closing the drawer while also protecting interior items from scratching.
- Marquise Accented™ drawer handle with commercial grade end caps.
- Slow cooking function is ideal for cooking meats until tender.
- Proofing function with moisture control vents allows for perfect rise of bread dough.
- Perfect for defrosting frozen items.
- Suitable for outdoor and indoor installations

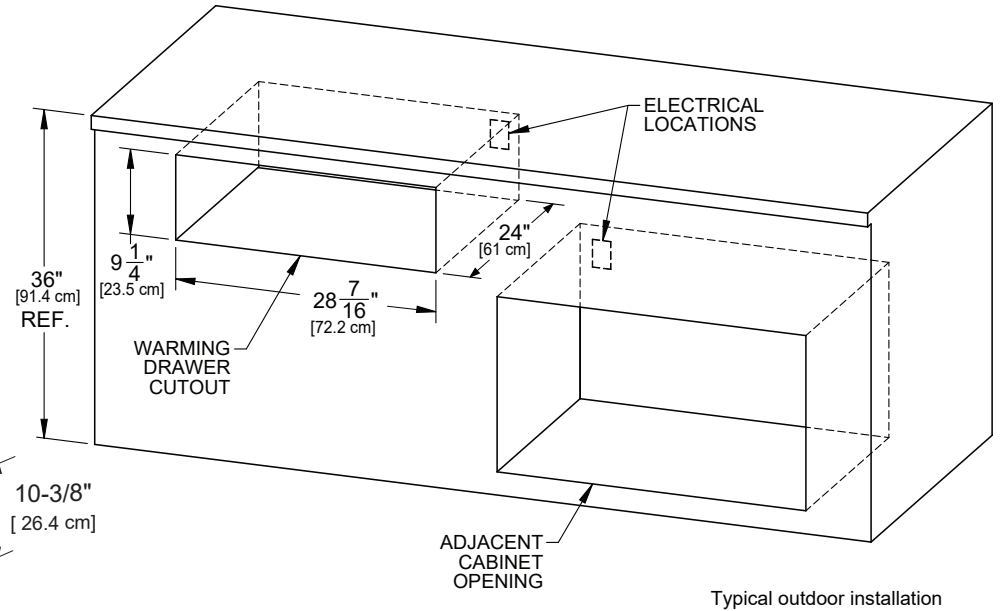
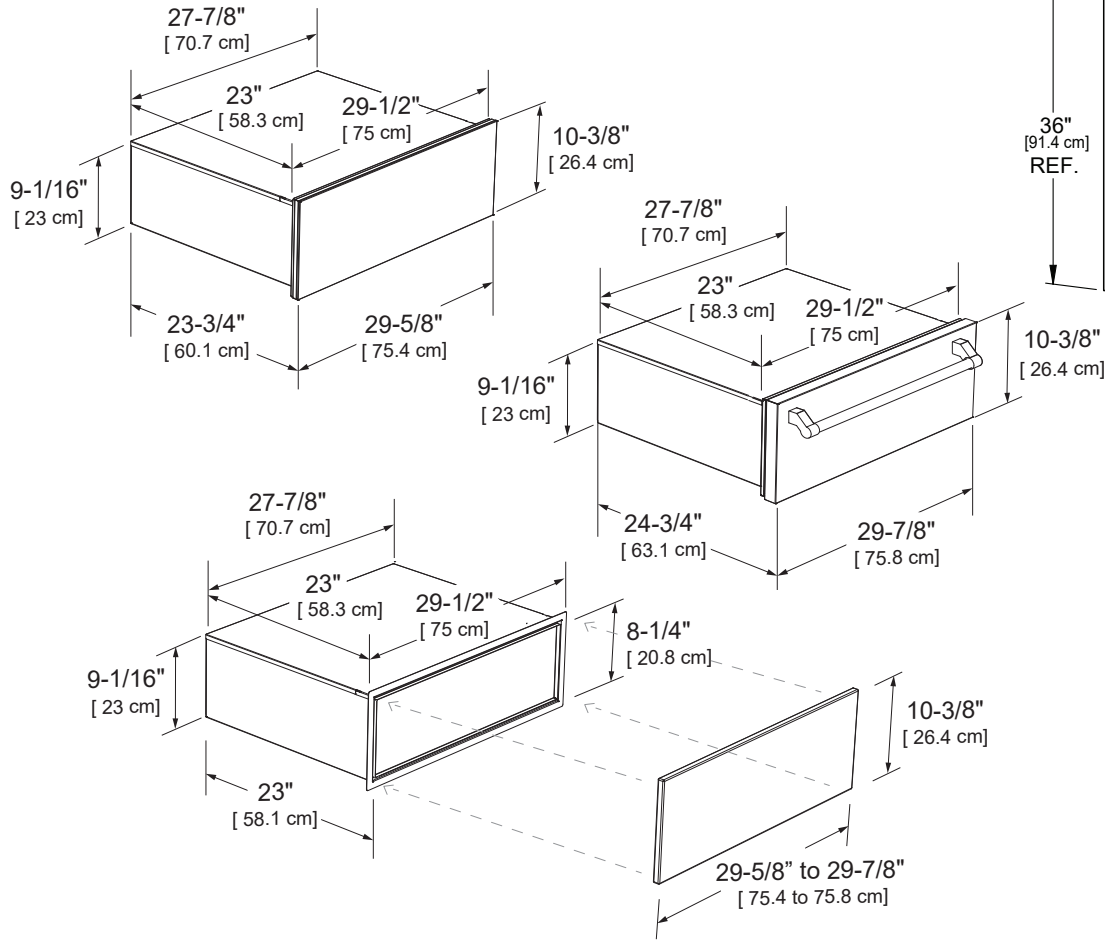
Marquise Accented™ handle with Indicator



## OPTIONS & ACCESSORIES

- Available in Twelve (12) Hestan signature color finishes
- Overlay Available

## PRODUCT DIMENSIONS



**ELECTRICAL REQUIREMENTS:**  120V, 60Hz, 7.4 amps

This Hestan product has been approved for outdoor and indoor installations. Hestan Commercial Corporation reserves the right to change materials and specifications without notice. Please reference our installation instructions for more elaborate detail and as the main source in your dimensional planning.

| Built - In Models | Description                | Cutout Dimensions |         |         | Approx SHP WT (lbs) |
|-------------------|----------------------------|-------------------|---------|---------|---------------------|
|                   |                            | W (in.)           | D (in.) | H (in.) |                     |
| GWD30             | 30" Outdoor Warming Drawer | 28-7/16           | 24      | 9-1/4   | 79                  |