

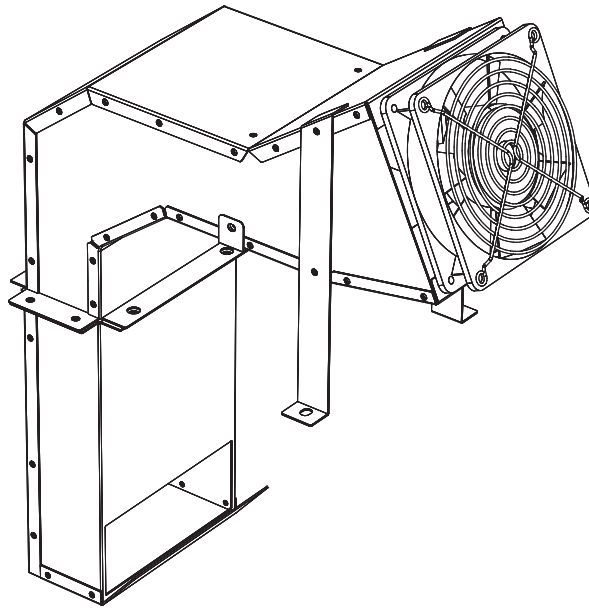
MASTERBUILT®

Fan Tube Kit Instruction Sheet

Digital Charcoal Smoker CS40G1DW



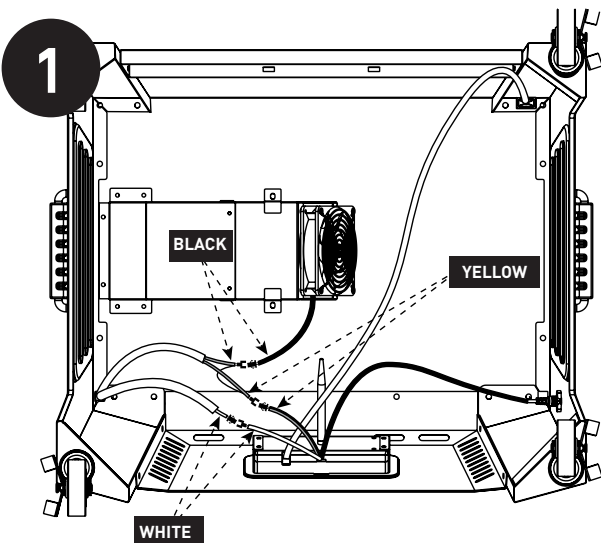
- Always remove plug from outlet before servicing your smoker.
- Make sure your smoker has fully cooled to avoid burns.
- Some components may have sharp edges. Use caution to avoid injury.



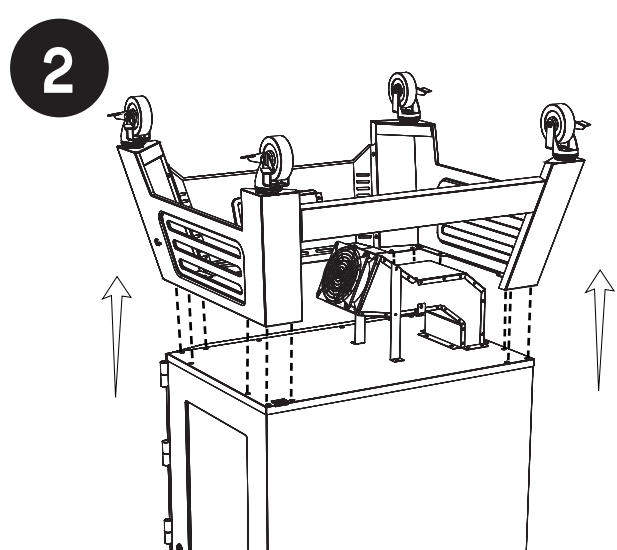
Tools Needed:
Phillips Head Screwdriver

INSTALLATION:

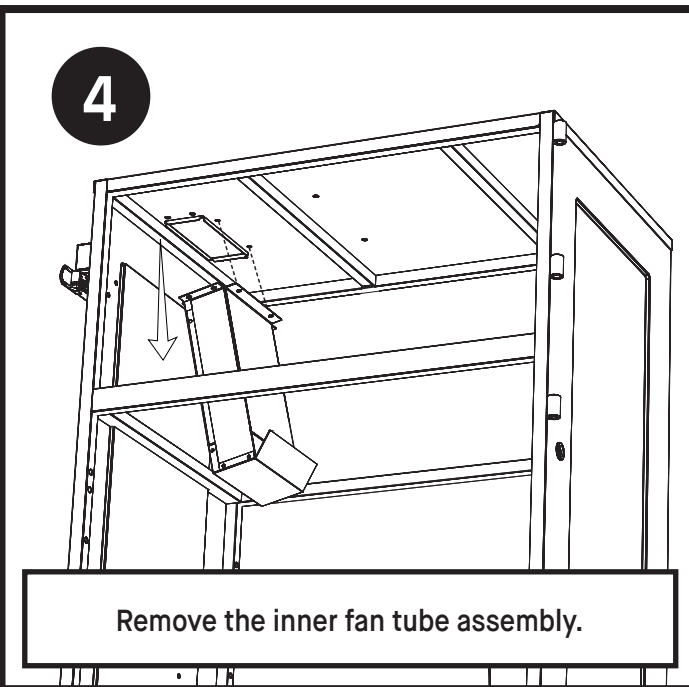
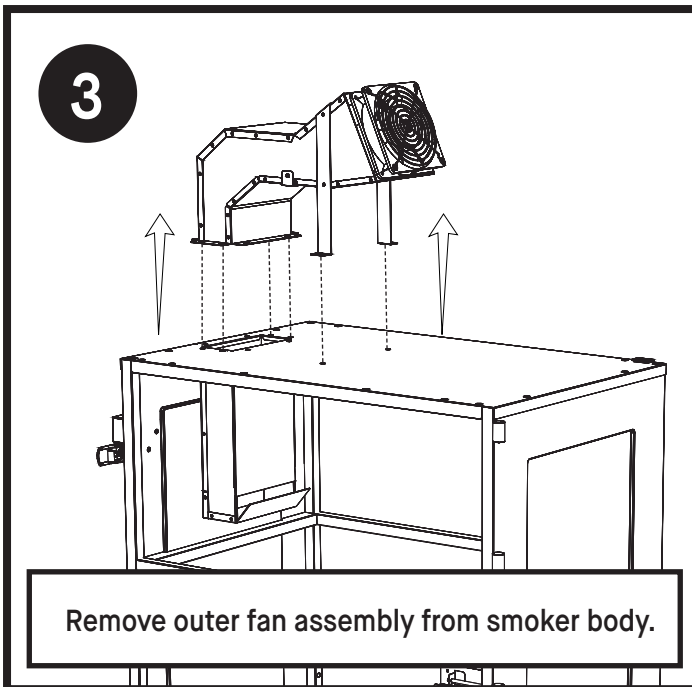
- Remove the doors and all the internal contents.
- Rotate the smoker legs up.
- Follow steps (1-9) to replace your fan tube kit.



1
Disconnect all wires from fan and controller.



2
Remove the Legs, Rear Brace and Casters.



INSTALLATION:

5. Replace the inner fan tube assembly (see step 4).
6. Replace the outer fan assembly (see step 3).
7. Replace the Legs / Brace / Casters assembly (see step 2).
8. Reconnect all wires to the controller and fan (see step 1).
9. Rotate your smoker to upright position and return the internal contents.

