



# MASTERBUILT®

## Digital Charcoal Smoker Wiring Diagram

### Welcome:

If your Masterbuilt™ Digital Charcoal Smoker controller is not functioning properly, there is potential that the unit is not wired correctly.

You may notice these possible issues:

- Your controller restarts immediately after you set the temperature
- Your controller is reading the wrong or inaccurate temperature
- Your controller may not turn on at all

Please review the following document to ensure you have connected the wires on your Digital Charcoal Smoker properly.

### Applied Products:

#### 40-inch Digital Charcoal Smoker

MB20060321

MB20061321

## Do This First:

- Reset your controller:
- STEP 1: Power OFF your cooking device.
- STEP 2: Unplug your cooking device from the wall.
- STEP 3: Wait 5 minutes, plug it back in.
- STEP 4: Your controller is reset - check to see if the problem persists.
  
- Update your App:
- Make sure your App is updated on your smartphone. If there is an App update, install the new version now.
  
- Update your controller:
- Make sure you are running the most current Firmware version.
- To check for the most current firmware version please refer to: <https://www.masterbuilt.com/pages/app-device-requirements>

- Check your temperature sensor:
- Power OFF your cooking device.
- Your temperature sensor may not be plugged in correctly, or it is dirty.
- Remove the temperature sensor, clean the plug with a cloth, reconnect.



- Visual Inspection:
- Power OFF your cooking device. **Make sure your device is not hot.**
- Check all of the wire connections for visual damage. Check the fan, controller, and switch connections.



This is a wire connection

- Check the controller for visual damage or water penetration. Water can damage your controller.
- Check the fan for visual damage. Are there any cracks or damages in the fan or fan housing?
- Check for debris in fan. You may need to remove the fan cover to remove any debris that has gotten into the fan. To remove the fan cover, remove the 4 screws in the corners of the fan shroud.



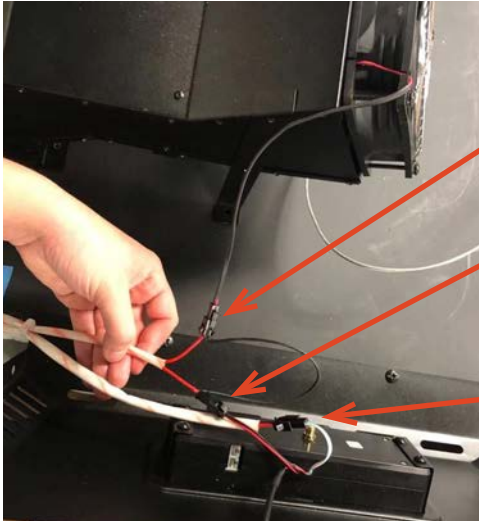
Remove these 4 screws

- Check the switches for visual damage.
- If any components have failed visual inspection, they should be replaced. Contact Masterbuilt Customer Service.
  
- Check the wall plug:
- Make sure the breaker or GFCI is not tripped. Make sure the unit is plugged into the wall.
- If you are using an extension cord, make sure it is an outdoor grounding -type 3- wire cord, marked with the suffix "W" and with the statement, "Suitable for Use with Outdoor Appliances".

For wiring diagram, please proceed to the following page...

## VERSION 1 - No Markings:

- Your wire connectors have no stickers / tags / or colors. Please refer to this diagram.



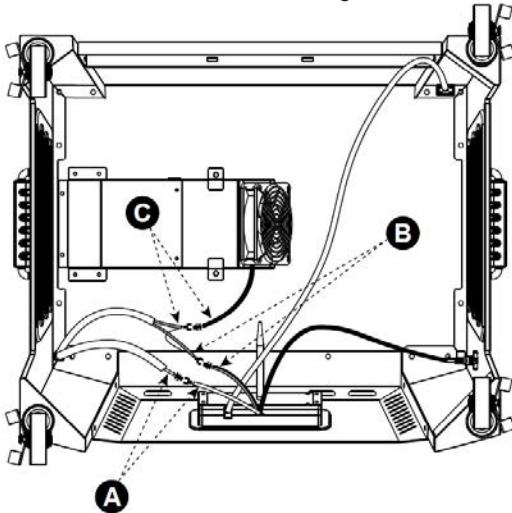
The "black only" wire coming from the fan is connected to one of the "red only" wires coming from the body of the smoker.

The "red and black" wire coming from the controller is connected to the other "red only" wire coming from the body of the smoker. This is part of the same wire that should also be connected to the fan.

The "white only" wire coming from the controller is connected to the "red and black" wire coming from the body of the smoker.

## VERSION 2 - "A, B, C" Stickers / Tags:

- Your wires have tags or stickers labeled "A" "B" and "C". Please refer to this diagram.



### Sticker "C":

The "black only" wire coming from the fan is connected to one of the "red only" wires coming from the body of the smoker.

### Sticker "B":

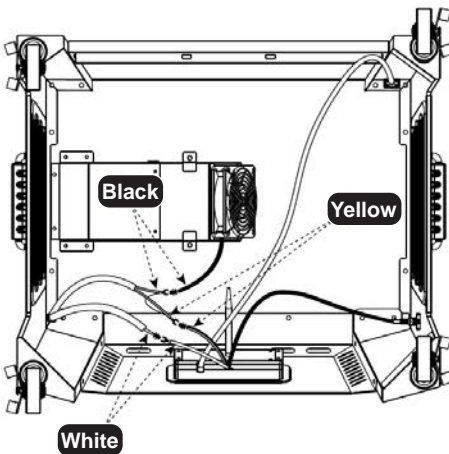
The "red and black" wire coming from the controller is connected to the other "red only" wire coming from the body of the smoker. This is part of the same wire that should also be connected to the fan.

### Sticker "A":

The "white only" wire coming from the controller is connected to the "red and black" wire coming from the body of the smoker.

## VERSION 3 - Colors:

- Your wire connectors are different colors. Please refer to this diagram.



### Black Connector:

The "black only" wire coming from the fan is connected to one of the "red only" wires coming from the body of the smoker.

### Yellow Connector:

The "red and black" wire coming from the controller is connected to the other "red only" wire coming from the body of the smoker. This is part of the same wire that should also be connected to the fan.

### White Connector:

The "white only" wire coming from the controller is connected to the "white only" wire coming from the body of the smoker.