

MASTERBUILT®

Cart Latch Instruction Sheet

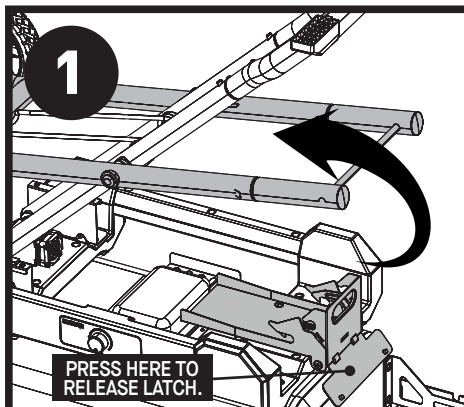
Portable Grill CGT18G1A



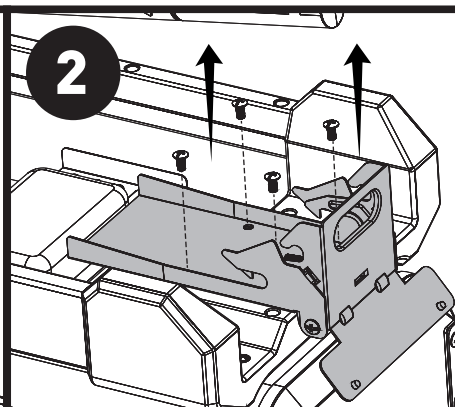
- Always remove plug from outlet before servicing your grill.
- Make sure your grill has fully cooled to avoid burns.
- Some components may have sharp edges. Use caution to avoid injury.
- Remove grate, manifold, and charcoal from your grill.



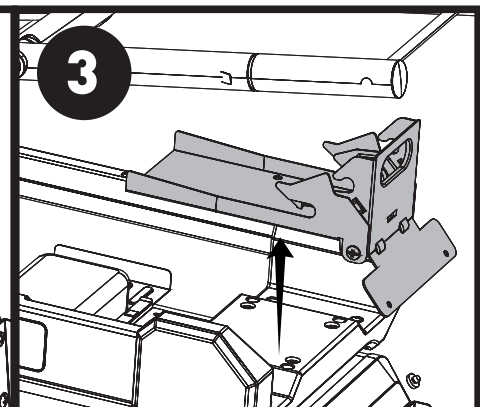
Note: It is recommended that you rotate your grill on it's side or upside down. To prevent scratching during the assembly, use cardboard or mat under your grill.



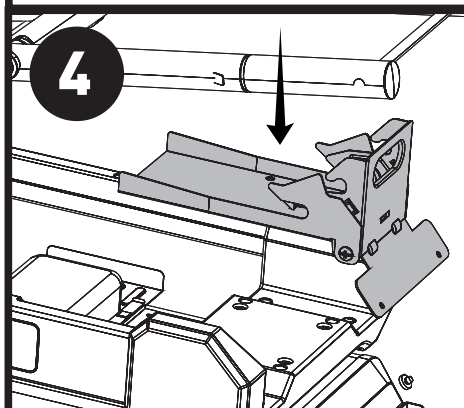
Release right leg from the cart latch.



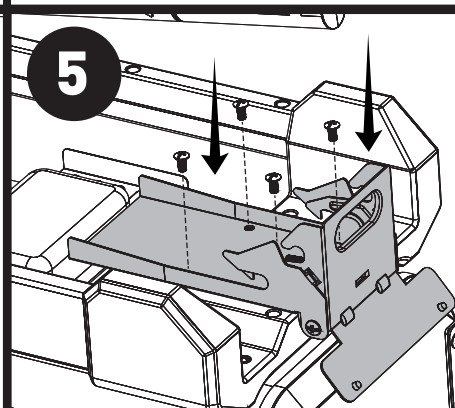
Remove the screws from the cart latch.



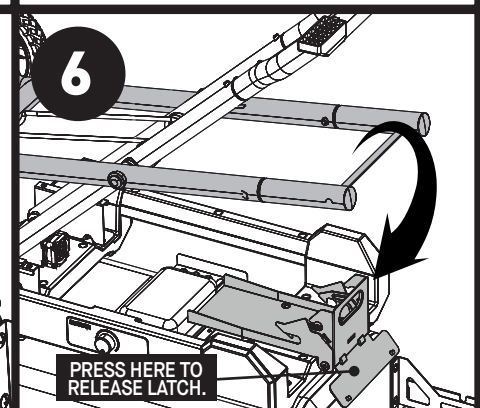
Remove the old cart latch.



Install the new cart latch.



Use the (4) screws to secure the cart latch.



Re-engage right leg to the cart latch.