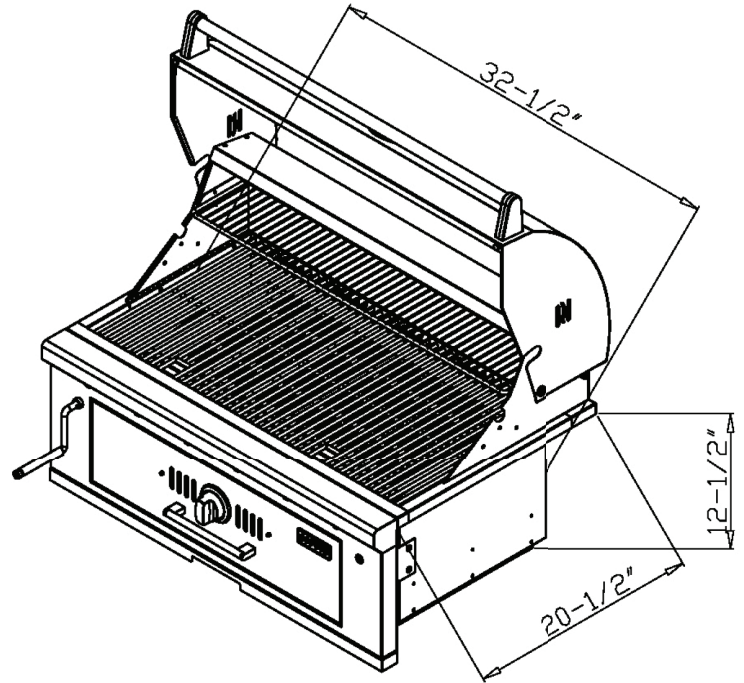
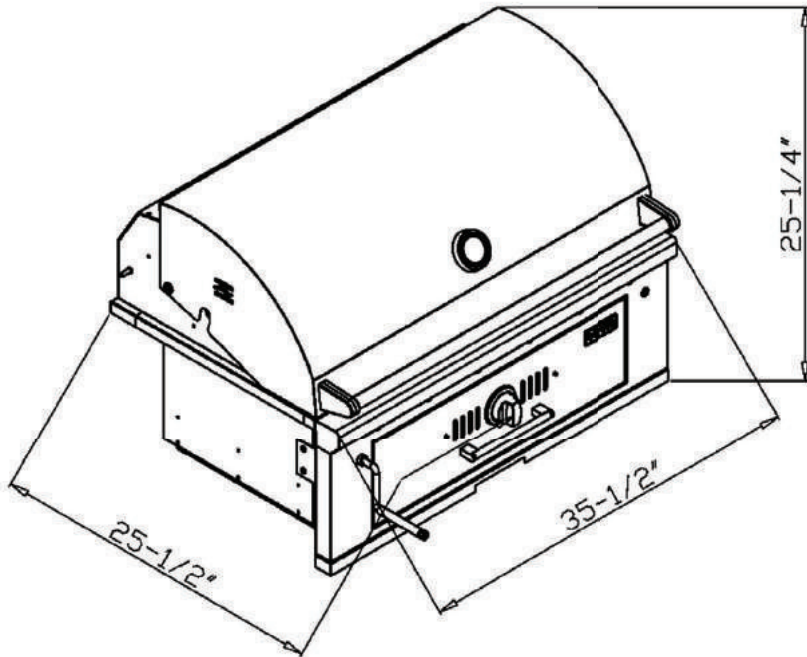


C1CH36 INSTALL GUIDE

DIMENSIONAL RENDERINGS



Overall Product Dimensions			
Model No.	Height	Width	Depth
C1CH36	25 1/4"	35 1/2"	25 1/2"

Cutout Dimensions for Island			
Model No.	Height	Width	Depth
C1CH36	12 1/2"	32 1/2"	20 1/2"

Model No.	Fuel Supply	Electrical Requirements
C1CH36	Lump Charcoal	Qty 1 - 120 VAC 60 Hz Grounded Plug

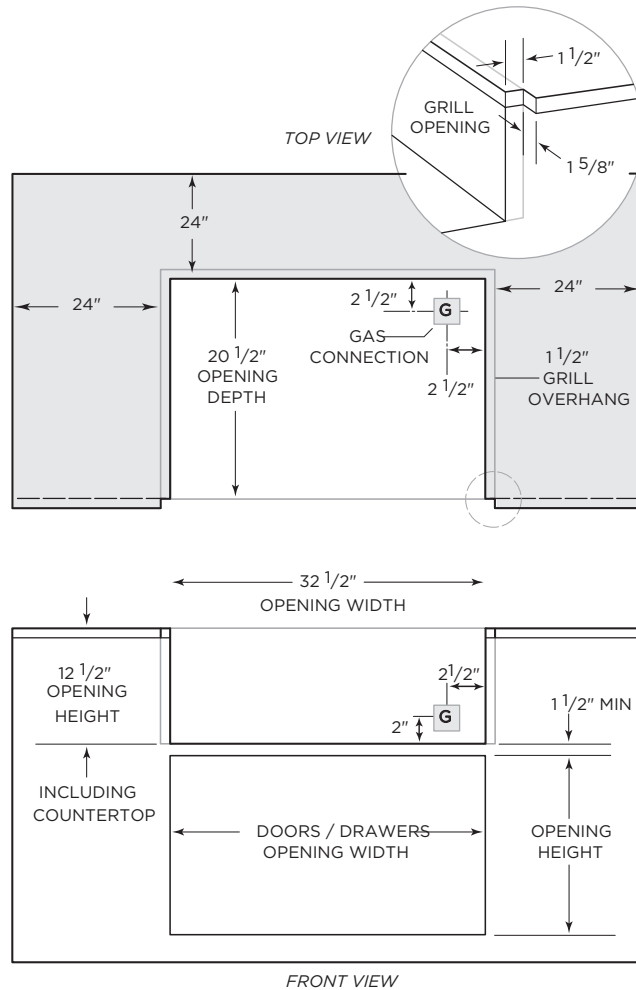
✓ Due to the C1CH36's ability to cook with charcoal, this grill can NOT be built into a combustible material island and there is NO insulated jacket available

Important Note to Installer: This file is not intended to replace your Owners' Manual which contains specific safety requirements and consumer guidelines. Please refer to your Owners' Manual prior to installing or operating your built-in grill.



C1CH36 INSTALL GUIDE

NON-COMBUSTIBLE CONSTRUCTION ONLY Insulated Jacket NOT Required



Clearance to Combustibles

- ✓ Combustible material can not be within 24" of the grills frame
- ✓ This applies to all directions - horizontal & vertical
- ✓ Shaded area above on "TOP VIEW" illustrates the 24" minimum requirement (not to scale for rendering purposes)
- ✓ The grill is designed to hang from the counter top with no support underneath
- ✓ Minimum rear clearance for the hood to open is 2"
- ✓ If you have a wall/partition behind the grill, the minimum rear clearance to that wall should be at least 7" to allow for ventilation of the exhaust
- ✓ Extra care should be taken when planning your living space, as charcoal embers can escape the grill and move with the wind

Ventilation Requirements:

- ✓ You must include at least two vents within the island.
- ✓ These vents must be at least 20 sq. in. each and allow fresh air to move from the grill cabinet to the exterior environment.
- ✓ For a propane setup, the vents should be installed lower as propane is heavier than air.
- ✓ For a natural gas setup, the vents should be located higher in the island, as natural gas is lighter than air.
- ✓ Do not locate the two vents on the same wall of the island. Cross ventilation is key to allow any excess heat or trapped gas to dissipate.

Important Note to Installer: This file is not intended to replace your Owners' Manual which contains specific safety requirements and consumer guidelines. Please refer to your Owners' Manual prior to installing or operating your built-in grill.

