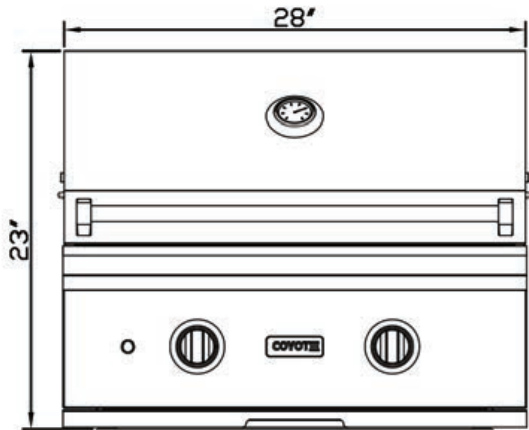
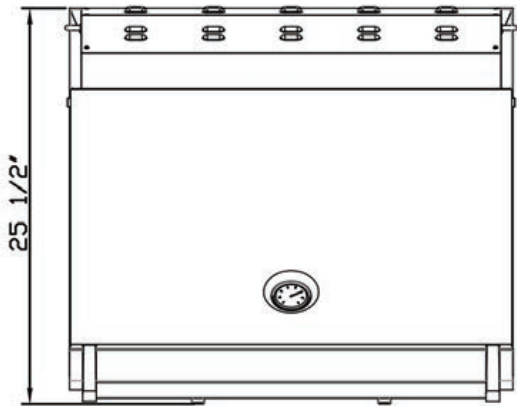


# C1C28 PRODUCT SPECS

## DIMENSIONAL RENDERINGS



FRONT VIEW



TOP VIEW

