



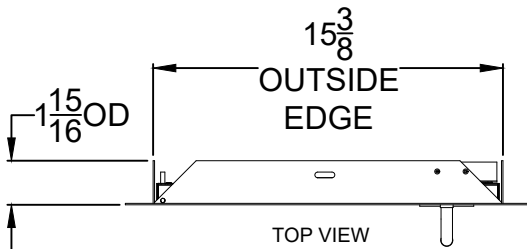
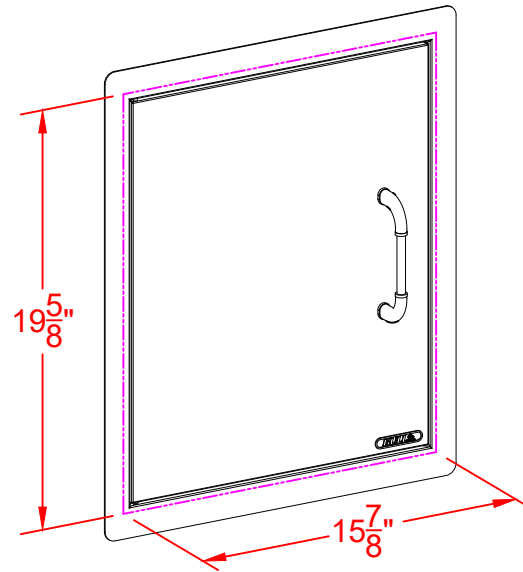
REPLACEMENT PARTS LIST			
DWG ITEM #	PART #	DESCRIPTION	QTY
1	16572	HANDLE	1
2	16515	HANDLE SET SCREW	1 SET
3	16548	DOOR MAGNET	2

SPEC SHEET OUTLINE

ITEM # 98552

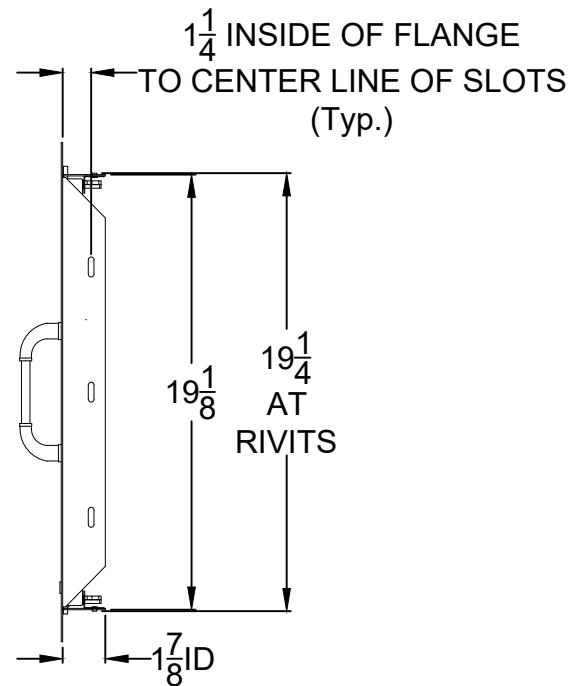
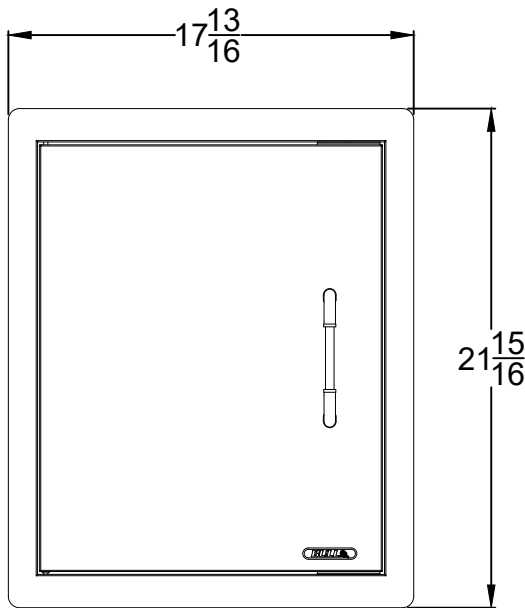
DESCRIPTION -

VERTICAL SINGLE DOOR
LEFT HINGED



PERSPECTIVE VIEW

WITH INSTALLATION
CUT OUT DIMENSIONS



FRONT VIEW

RIGHT SIDE VIEW

NOTES:

- 1) ALL DIMENSIONS ARE IN INCH UNITS
- 2) REFER TO PERSPECTIVE VIEW FOR INSTALLATION CUTOUT DIMENSIONS.
- 3) REFER TO TOP OF PAGE FOR PART INFORMATION
- 4) PAGES 2 - 4 FOR WARRANTY POLICY