



REPLACEMENT PARTS LIST			
DWG ITEM #	PART #	DESCRIPTION	QTY
1	16572	DOOR HANDLE	1
2	16515	HANDLE SET SCREW	1 SET
3	16548	DOOR MAGNET	2
4	16580	REPLACEMENT DOOR	1

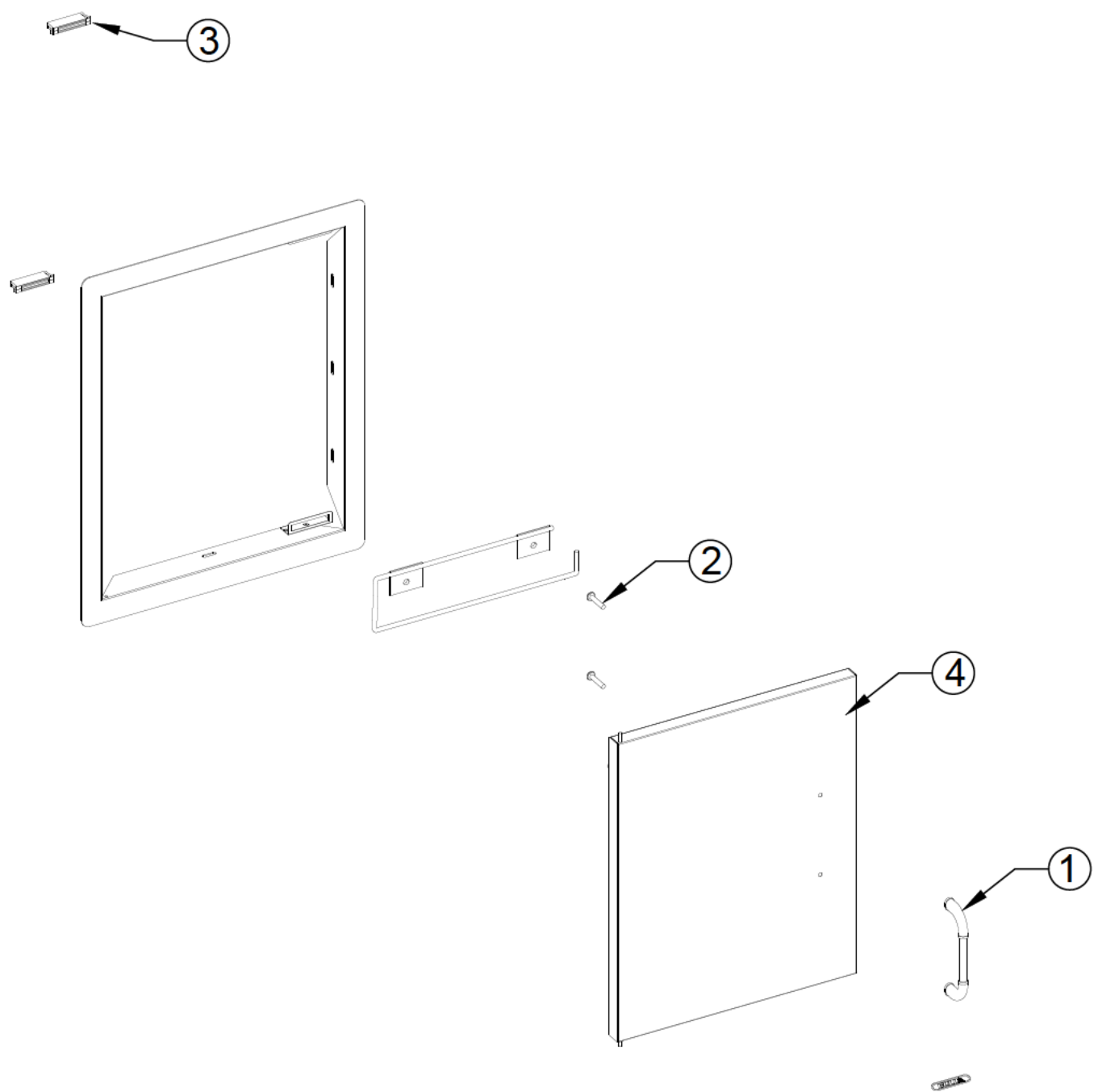
EXPLODED VIEW W/ PARTS LIST

ITEM # 98552

DESCRIPTION -

VERTICAL SINGLE DOOR

LEFT HINGED



Exploded View