



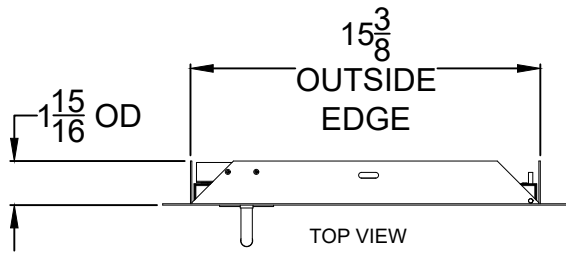
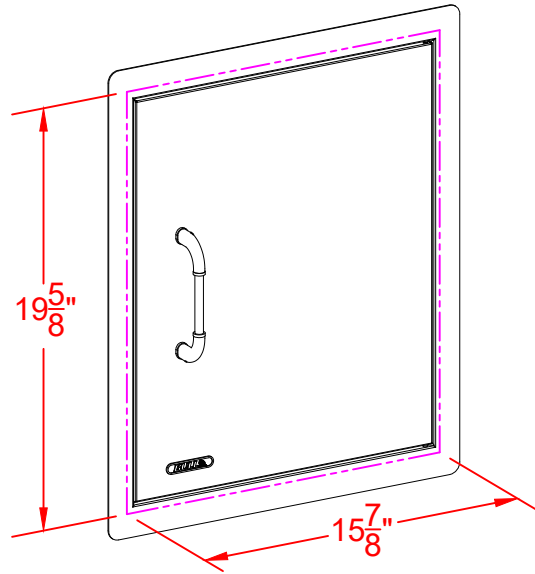
REPLACEMENT PARTS LIST			
DWG ITEM #	PART #	DESCRIPTION	QTY
1	16572	SS DOOR HANDLE	1
2	16515	HANDLE SET SCREW	1 SET
3	16548	DOOR MAGNET	2

**SPEC SHEET OUTLINE**

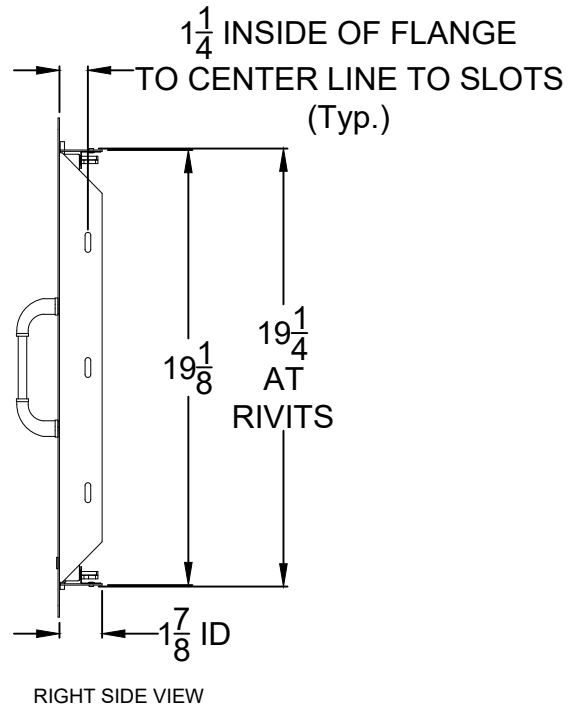
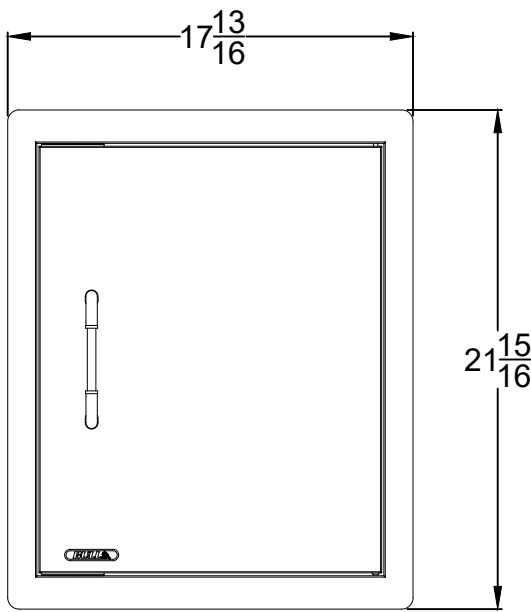
ITEM # 89975

DESCRIPTION -

VERTICAL SINGLE DOOR  
RIGHT HINGE



**PERSPECTIVE VIEW  
WITH INSTALLATION  
CUT OUT DIMENSIONS**



**NOTES:**

- 1) ALL DIMENSIONS ARE IN INCH UNITS
- 2) REFER TO PERSPECTIVE VIEW FOR INSTALLATION CUTOUT DIMENSIONS.
- 3) REFER TO TOP OF PAGE FOR PART INFORMATION
- 4) PAGES 2 - 4 FOR WARRANTY POLICY