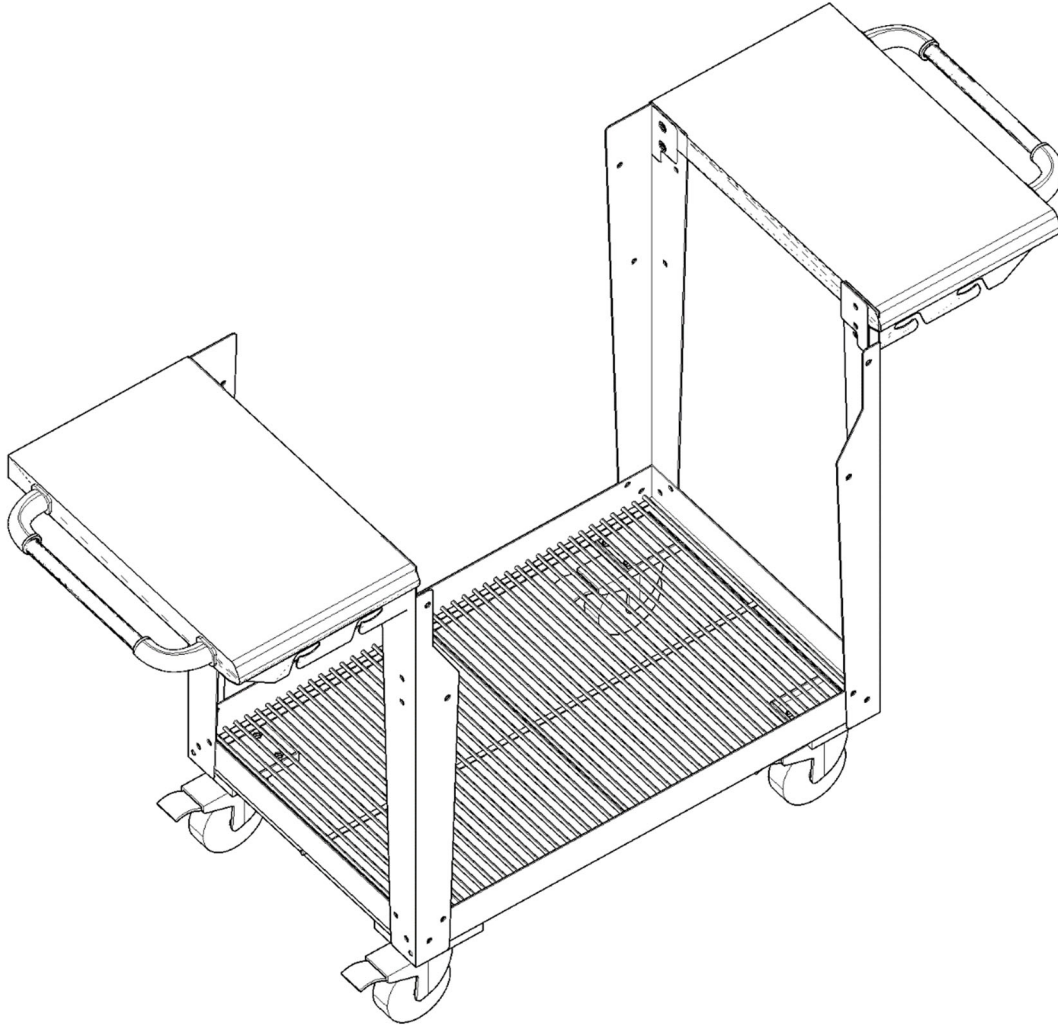




BISON PREMIUM CHARCOAL GRILL GRILL
CART OWNERS MANUAL MODEL #88900





READ THIS ENTIRE MANUAL CAREFULLY AND RETAIN FOR FUTURE REFERENCE

We care about your safety, so please....

- BE SURE YOUR GRILL CART IS PROPERLY ASSEMBLED AND CARED FOR. FAILURE TO FOLLOW THESE INSTRUCTIONS MAY RESULT IN SERIOUS BODILY INJURY AND/OR PROPERTY DAMAGE. IF YOU HAVE QUESTIONS CONCERNING ASSEMBLY OR OPERATION, CONSULT YOUR DEALER OR APPLIANCE SERVICE REPRESENTATIVE FOR ASSISTANCE.
- NOTE TO ASSEMBLER, PLEASE RETURN THIS MANUAL TO CONSUMER AFTER INSTALLATION.
- NOTE TO THE CONSUMER: RETAIN THIS MANUAL FOR FUTURE REFERENCE.
- THIS GRILL CART IS NOT INTENDED FOR USE IN OR ON RECREATIONAL VEHICLES AND/OR BOATS.

TABLE OF CONTENTS

PAGE# 2

HOW TO REGISTER YOUR GRILL CART

HOW TO ORDER GRILL CART REPLACEMENT PARTS _____ 3

BISON GRILL CART DETAILS

CART REPLACEMENT PARTS LIST / ILLUSTRATION _____ 4

GRILL AND FASTENERS LIST FOR ASSEMBLY _____ 5

CART ASSEMBLY INSTRUCTIONS _____ 5-7

CLEANING & MAINTENANCE _____ 8

LIMITED WARRANTY POLICY _____ 9-11



WARNING: THIS PRODUCT CAN EXPOSE YOU TO CHEMICALS INCLUDING CARBON MONOXIDE WHICH IS KNOWN TO THE STATE OF CALIFORNIA TO CAUSE BIRTH DEFECTS OR OTHER REPRODUCTIVE HARM. FOR MORE INFORMATION VISIT: www.P65Warnings.ca.gov

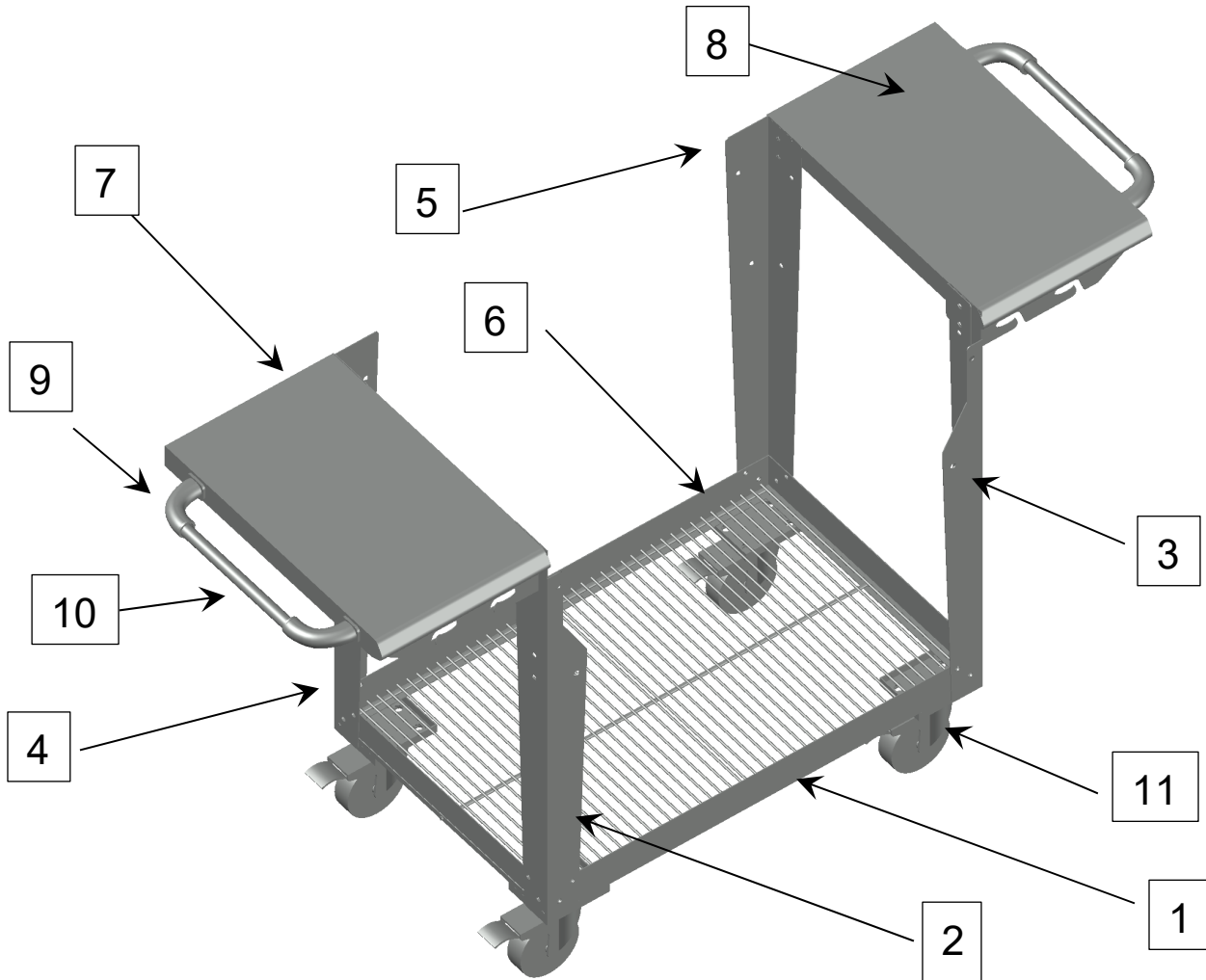


NOTE: PLEASE COMPLETE THE FOLLOWING PRIOR TO ASSEMBLY:

1. Before attempting to assemble your grill cart, check that all the necessary parts are included by using the illustrated parts list.
2. Inspect parts for any damage and contact our service center or local dealer for replacement of any damaged parts.
3. Do not assemble or operate a grill cart that appears to be damaged.
4. For your safety, Bull recommends the assistance of another person when assembling larger and/or heavier items.

PARTS LIST AND ILLUSTRATION

88900 BISON PREMIUM GRILL CART PARTS LIST			
ILLUSTRATION ID#	BULL SKU #	DESCRIPTION	QUANTITY
1	88901	FRAME, CART BOTTOM	1
2	88902	SUPPORT LEG, FRONT, LEFT SIDE	1
3	88903	SUPPORT LEG, FRONT, RIGHT SIDE	1
4	88904	SUPPORT LEG, BACK, LEFT SIDE	1
5	88905	SUPPORT LEG, FRONT, RIGHT SIDE	1
6	88906	SCREEN, CART BOTTOM	2
7	88907	LEFT SIDE SHELF	1
8	88908	RIGHT SIDE SHELF	1
9	88909	SHELF HANDLE END CAP	4
10	88910	SHELF HANDLE CENTER BAR	2
11	16514	CART CASTER (WITH BRAKE)	4





CART FASTENERS FOR ASSEMBLY

- Before attempting to assemble your grill cart, check that all the fasteners are included using the list below.
- If any are missing contact our Service Center, or local dealer for replacement.

88900 BISON CART ASSEMBLY HARDWARE LIST			
ILLUSTRATION ID #	DESCRIPTION, SIZE	QUANTITY	PURPOSE
12	ALLEN WRENCH (4mm)	1	ASSEMBLE HANDLES TO SHELVES
13	HEX DRIVE BUTTION HEAD SCREW, M6 X 8	4	
14	ALLEN WRENCH (5mm)	1	ASSEMBLE CASTERS TO FRAME
15	HEX DRIVE BUTTION HEAD SCREW, M8 X 20	16	
16	FLAT WASHER, 8mm	16	
17	LOCK WASHER, 8mm	16	
18	WRENCH (6mm)	1	ASSEMBLE SUPPORT LEGS TO FRAME
19	HEX DRIVE BUTTION HEAD SCREW, M6 X 12	16	
20	FLAT WASHER, 6mm	32	
21	LOCK WASHER, 6mm	32	
22	HEX NUT, 6mm	16	

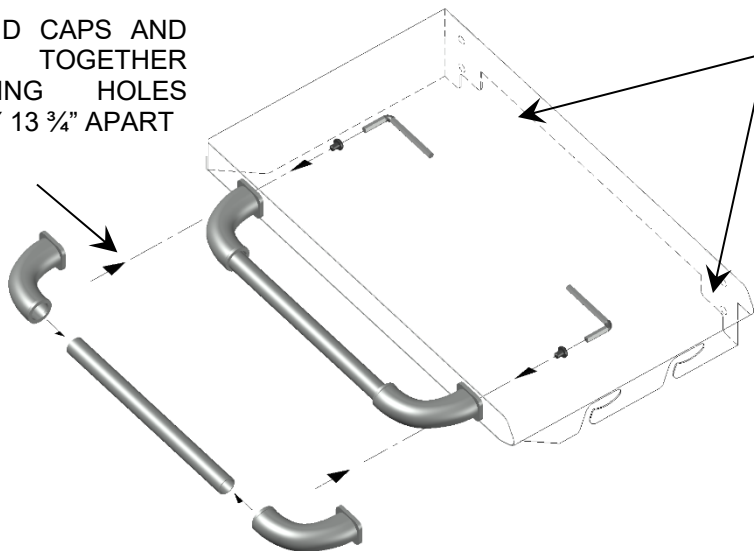
CART ASSEMBLY INSTRUCTIONS

Do not assemble or operate a grill cart that appears to be damaged. For your safety, Bull recommends the assistance of another person when assembling larger and/or heavier items.

STEP #1: ATTACH SHELF HANDLES TO SHELVES

- Remove the pre-installed screws (M6X8 mm) on the handle end caps.
- Per illustration below, combine the handle tube and end caps and then install the handle end caps onto the side shelf.

SLIDE BOTH END CAPS AND CENTER TUBE TOGETHER WITH MOUNTING HOLES APPROXIMATELY 13 3/4" APART

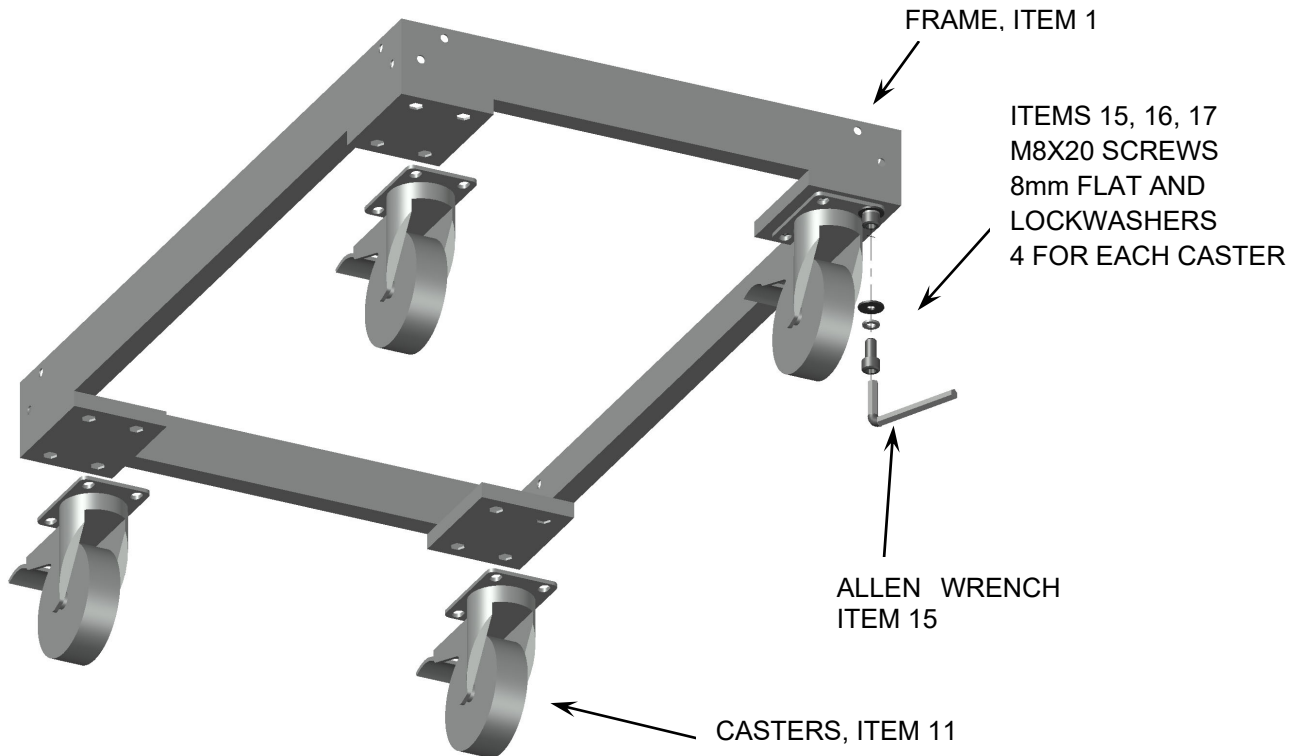


USE PROVIDED ALLEN WRENCH (ITEM 12) TO ATTACH 1 HANDLE TO EACH SHELF USING 2 (ITEM 13) M6X8 SCREWS AS SHOWN



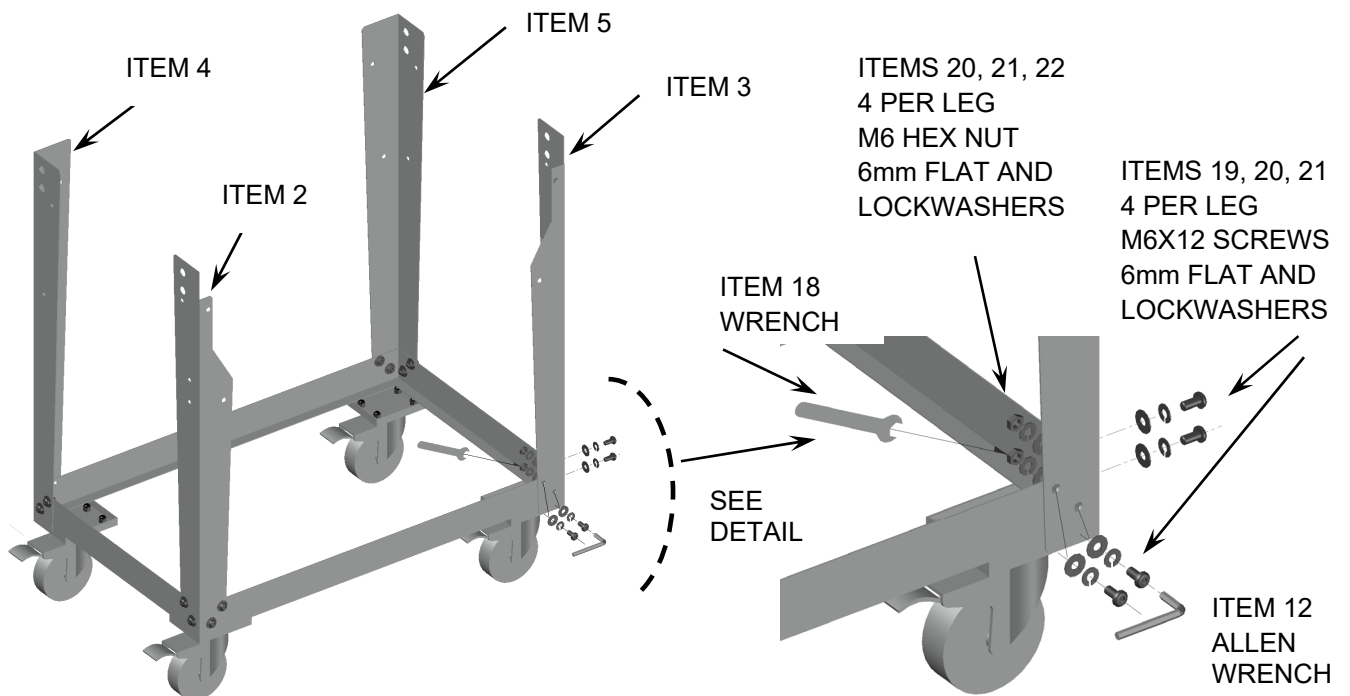
STEP #2 ATTACH CASTERS TO FRAME

Per illustration below, attach casters to pre-installed nuts on frame with provided fasteners and Allen wrench.



STEP #3 ATTACH LEGS TO FRAME

Per illustration below, attach cart legs to on frame with provided fasteners and tools.



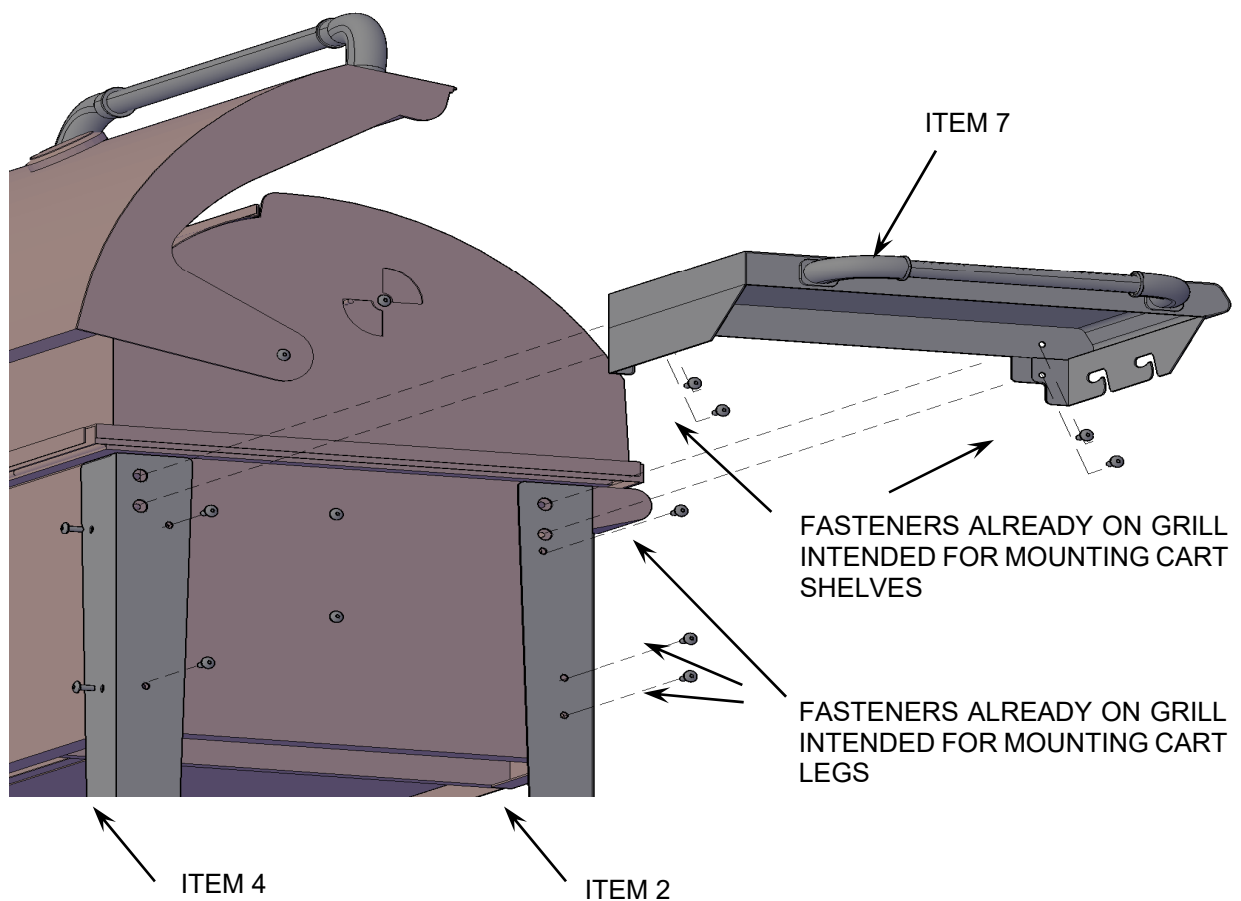
NOTE: EACH CART LEG IS UNIQUE AND MUST BE ASSEMBLED AS SHOWN TO ACCOMMODATE GRILL.



STEP 4: ATTACH GRILL TO CART LEGS

(This step will require at least 2 people).

1. Ensure the swivel casters are in the locked position in order to prevent the cart from moving and causing injury.
2. Remove the grill cooking and warming grates, briquet baskets and ash collector and place out of the way during assembly.
3. NOTE: The cart back legs are attached with 4 specific fasteners that are already on your grill where shown below. The cart front legs are attached with 5 specific fasteners. All of these fasteners are held by threaded inserts pressed into the grill. Remove those fasteners from the grill.
4. NOTE: **(This step will require at least 2 people)**. Guide the cart legs around the outside of the grill head until the cart leg mounting holes line up with the holes on the grill.
5. Install the mounting screws 'finger tight' on all four legs and evaluate alignment of the legs to the grill before tightening. If using a torque wrench to install set it to 70 inch-pounds (8 Nm). Caution: cross threading will cause irreparable damage to the cart.



STEP 5: ATTACH SHELVES TO GRILL

1. NOTE: The cart shelves are attached with 4 specific fasteners that are already on your grill where shown above. All of these fasteners are held by threaded inserts pressed into the grill. Remove those fasteners from the grill.
2. NOTE: **(This step will require at least 2 people)**. Install one shelf at a time by having 1 person hold the shelf so the mounting holes line up mounting holes on the grill. The shelves have slots on one side for hanging tools. That side should be facing the front of the grill.
3. Install the mounting screws 'finger tight' on both shelves and evaluate alignment before tightening. If using a torque wrench to install set it to 70 inch-pounds (8 Nm). Caution: cross threading will cause irreparable damage to the cart.

Your grill cart is now completely assembled. Please continue to read the next section your Bison Grill to understand all safety, warning and usage instructions for your Bison grill manual before use.



CLEANING AND MAINTENANCE

WARNING

BEFORE CLEANING YOUR CART MAKE SURE YOUR GRILL AND CART ARE COOL ENOUGH TO TOUCH.

CART CLEANING: Washing the cart is not necessary, but periodically it is suggested you wash the cart using a soap and warm water solution. Use only a nylon brush to remove stubborn residue. Dry the cart before the next use.

STAINLESS STEEL CLEANING AND MAINTENANCE

Stainless steel is a corrosion resistant chromium/nickel alloy steel that is both durable as well as strong with an outstanding lustre. The goal of your cleaning and maintenance routine should be to keep the stainless steel's protective chromium oxide layer intact. This is what prevents corrosion. Contrary to popular belief, stainless steel is **NOT** rust proof, especially in the environment of a swimming pool. Chlorine, bromine, some fertilizers and other elements are extremely caustic chemicals for stainless steel. These chemicals combined with heat and humidity greatly increase the corrosiveness of these chemicals. Regular cleaning is the best way to prevent corrosion and add years of enjoyment to your Bull Stainless Steel products.